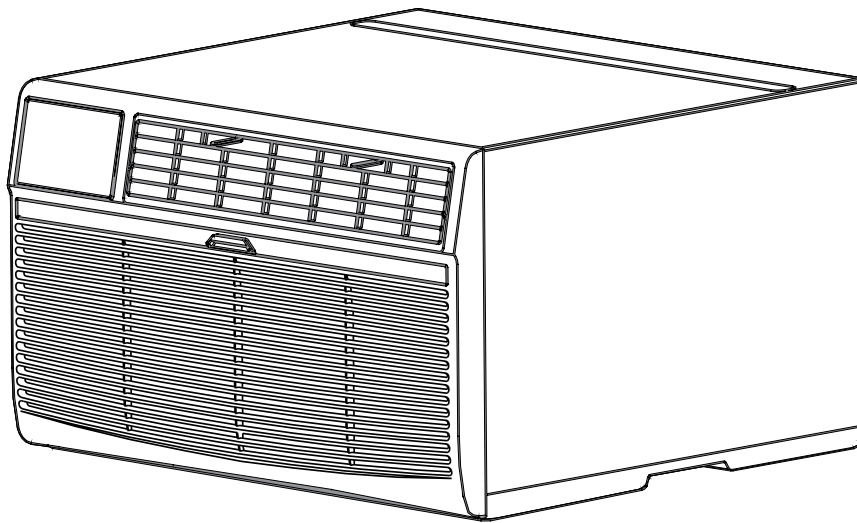


OWNER'S AND INSTALLATION MANUAL

Through The Wall Air Conditioner R32

115V 60HZ – DRTHC081XNA1, DRTAC081XNA1
DRTAC101XNA1, DRTAC121XNA1

208/230V 60HZ – DRTHC102XNA1, DRTAC102XNA1
DRTHC122XNA1, DRTAC122XNA1
DRTHC142XNA1, DRTAC142XNA1



Model Number:

Serial Number:

Purchase Date:

Installing Contractor Company Name:



TIP

Capture relevant information about your Durastar air conditioner before it is installed and write it above for future reference.

CONTENTS

INTRODUCTION	03
WARNINGS.....	03
OPERATING TEMPERATURES.....	11
SPECIFICATIONS	11
ACCESSORIES.....	12
PARTS IDENTIFICATION	13
PARTS DIMENSIONS	14
INSTALLATION OVERVIEW	14
PRE-INSTALLATION STEPS	14
PREPARE THE WALL SLEEVE AND GROUND WIRE	14
INSTALL THE ALUMINUM GRILLE.....	16
ATTACH SEALS TO THE WALL SLEEVE	19
INSTALLATION STEPS	21
ATTACH THE FRONT FRAME PIECES	21
INSERT THE MAIN SEAL (NO. 9).....	21
INSERT THE AIR CONDITIONER INTO THE WALL SLEEVE	22
CONTROL PANEL	23
DIGITAL DISPLAY	25
ERROR CODES	25
REMOTE CONTROL	26
REMOTE DISPLAY	27
REMOTE OPERATION.....	27
AIR DIRECTIONAL LOUVERS.....	31
MAINTENANCE.....	31
AIR FILTER CLEANING	31
CABINET CLEANING	32
NORMAL SOUNDS.....	32
ENERGY SAVING GUIDE.....	32
TROUBLESHOOTING.....	33
DURASTAR WARRANTY	35

INTRODUCTION

To better serve you, please do the following before contacting customer service:

- If you received a damaged product, immediately contact the retailer or dealer that sold you the product.
- Read and follow this manual carefully, to help you use and maintain your air conditioner.
- Read the troubleshooting section of this manual. It will help you diagnose and solve common issues.
- Visit us on the web at www.durastar.com to download product guides and up-to-date information.
- If you need warranty service, our friendly customer service representatives are available via email at service@care.durastar.com or by telephone at 1-888-320-0706.

WARNINGS

SYMBOLS USED IN THIS MANUAL



The warning symbol indicates cautionary information for the user. Extra care and precautions should be taken to ensure the user's safety.



The pencil indicates any manufacturer notes relating to surrounding content. These may include further clarifications or call-outs.



A light bulb symbol indicates suggested manufacturer tips for the user to get the most out of the Durastar equipment and to accommodate the best user experience.



A2L

CAUTION:
Risk of fire
flammable materials

IMPORTANT NOTE: Read this manual carefully before installing or operating your new appliance unit. Make sure to save this manual for future reference.

	CAUTION	This symbol shows that the operation manual should be read carefully.
	CAUTION	This symbol shows that a service personnel should be handling this equipment with reference to the installation manual.
	CAUTION	This symbol shows that information is available such as the operating manual or installation manual.

WARNINGS

- Servicing shall only be performed as recommended by the equipment manufacturer. Maintenance and repair requiring the assistance of other skilled personnel shall be carried out under the supervision of a person competent in the use of flammable refrigerants.
- DO NOT modify the length of the power cord or use an extension cord to power the unit.
- DO NOT share a single outlet with other electrical appliances. Improper power supply can cause fire or electrical shock.
- Please follow the instruction carefully to handle, install, clear, service the air conditioner to avoid any damage or hazard. Flammable Refrigerant R32 is used within the air conditioner.
- When maintaining or disposing the air conditioner, the refrigerant (R32) shall be recovered properly. Do not discharge to the air directly.
- Compliance with national gas regulations shall be observed.
- Keep ventilation openings clear of obstruction.
- The appliance shall be stored so as to prevent mechanical damage from occurring.
- The appliance shall be stored in a well-ventilated area where the room size corresponds to the room area as specified for operation.
- Any person who is involved with working on or breaking into a refrigerant circuit should hold a current valid certificate from an industry-accredited assessment authority, which authorizes their competence to handle refrigerants safely in accordance with an industry recognized assessment specification. All training shall follow the ANNEX HH requirements of UL 60335-2-40 4th Edition.
- Examples for such working procedures are:
 - breaking into the refrigerating circuit;
 - opening of sealed components;
 - opening of ventilated enclosures.
- No open fire or device-like switch which may generate spark/arcing shall be around the air conditioner to avoid causing ignition of the flammable refrigerant used. Please follow the instructions carefully to store or maintain the air conditioner to prevent mechanical damage from occurring.
- Do not use means to accelerate the defrosting process or to clean, other than those recommended by the manufacturer.
- The appliance shall be stored in a room without continuously operating ignition sources (for example: open flames, an operating gas appliance) and ignition sources or (for example: an operating electric heater) close to the appliance.

- Do not pierce or burn.
- Be aware that the refrigerants may not contain an odor.

TRANSPORT OF EQUIPMENT CONTAINING FLAMMABLE REFRIGERANTS

See transport regulations.

MARKING OF EQUIPMENT USING SIGNS

See local regulations.

DISPOSAL OF EQUIPMENT USING FLAMMABLE REFRIGERANTS

See national regulations.

STORAGE OF EQUIPMENT/APPLIANCES

The storage of the appliance should be in accordance with the applicable regulations or instructions, whichever is more stringent.

STORAGE OF PACKED (UNSOLD) EQUIPMENT

Storage package protection should be constructed such that mechanical damage to the equipment inside the package will not cause a leak of the refrigerant charge. The maximum number of pieces of equipment permitted to be stored together will be determined by local regulations.

INFORMATION ON SERVICING**1. CHECKS TO THE AREA**

Prior to beginning work on systems containing flammable refrigerants, safety checks are necessary to ensure that the risk of ignition is minimized. For repair to the refrigerating system, the following precautions shall be complied with prior to conducting work on the system.

2. WORK PROCEDURE

Work shall be undertaken under a controlled procedure so as to minimize the risk of a flammable gas or vapor being present while the work is being performed.

3. GENERAL WORK AREA

All maintenance staff and others working in the local area shall be instructed on the nature of work being carried out. Work in confined spaces shall be avoided. The area around the workspace shall be sectioned off. Ensure that the conditions within the area have been made safe by control of flammable material.

4. CHECKING FOR PRESENCE OF REFRIGERANT

The area shall be checked with an appropriate refrigerating detector prior to and during work, to ensure the technician is aware of potentially flammable atmospheres. Ensure that the leak detection equipment being used is suitable for use with flammable refrigerants, i.e. non-sparking, adequately sealed or intrinsically safe.

5. PRESENCE OF FIRE EXTINGUISHER

If any hot work is to be conducted on the refrigeration equipment or any associated parts, appropriate fire extinguishing equipment shall be available. Have a dry powder or CO₂ fire extinguisher adjacent to the charging area.

6. NO IGNITION SOURCES

No person carrying out work in relation to a refrigerating system which involves exposing any pipe work that contains or has contained flammable refrigerant shall use any sources of ignition in such a manner that it may lead to the risk of fire or explosion. All possible ignition sources, including cigarette smoking, should be kept far away from the site of installation, repairing, removing, and disposal, during which flammable refrigerant can possibly be released to the surrounding space. Prior to work taking place, the area around the equipment is to be surveyed to make sure that there are no flammable hazards or ignition risks. No Smoking signs shall be displayed.

7. VENTILATED AREA

Ensure that the area is in the open or that it is adequately ventilated before breaking into the system or conducting any hot work. A degree of ventilation shall continue during the period that the work is carried out. The ventilation should safely disperse any released refrigerant and preferably expel it externally into the atmosphere.

8. CHECKS TO THE REFRIGERATING EQUIPMENT

Where electrical components are being changed, they shall be fit for the purpose and to the correct specification. At all times the manufacturer's maintenance and service guidelines shall be followed. If in doubt consult the manufacturer's technical department for assistance. The following checks shall be applied to installations using flammable refrigerants:

- The actual refrigerant charge is in accordance with the room size where the refrigerant containing parts are installed;
- The ventilation machinery and outlets are operating adequately and are not obstructed;
- If an indirect refrigerating circuit is being used, the secondary circuit shall be checked for the presence of refrigerant;
- Marking to the equipment continues to be visible and legible. Markings and signs that are illegible shall be corrected;
- Refrigerating pipe or components are installed in a position where they are unlikely to be exposed to any substance which may corrode refrigerant containing components, unless the components are constructed of materials which are inherently resistant to being corroded or are suitably protected against being so corroded.

9. CHECKS TO ELECTRICAL DEVICES

Repair and maintenance to electrical components shall include initial safety checks and component inspection procedures. If a fault exists that could compromise safety, then no electrical supply shall be connected to the circuit until it is satisfactorily dealt with. If the fault cannot be corrected immediately but it is necessary to continue operation, an adequate temporary solution shall be used. This shall be reported to the owner of the equipment so all parties are advised.

Initial safety checks shall include:

- That capacitors are discharged: this shall be done in a safe manner to avoid possibility of sparking;
- That there no live electrical components and wiring are exposed while charging, recovering or purging the system;
- That there is continuity of earth bonding.

SEALED ELECTRICAL COMPONENTS SHALL BE REPLACED

INTRINSICALLY SAFE COMPONENTS MUST BE REPLACED

CABLING

Check that cabling will not be subject to wear, corrosion, excessive pressure, vibration, sharp edges or any other adverse environmental effects. The check shall also take into account the effects of aging or continual vibration from sources such as compressors or fans.

DETECTION OF FLAMMABLE REFRIGERANTS

Under no circumstances shall potential sources of ignition be used in the searching for or detection of refrigerant leaks. A halide torch (or any other detector using a naked flame) shall not be used.

The following leak detection methods are deemed acceptable for systems containing flammable refrigerants. Electronic leak detectors shall be used to detect flammable refrigerants, but the sensitivity may not be adequate, or may need re-calibration. (Detection equipment shall be calibrated in a refrigerant-free area). Ensure that the detector is not a potential source of ignition and is suitable for the refrigerant used. Leak detection equipment shall be set at a percentage of the LFL of the refrigerant and shall be calibrated to the refrigerant employed and the appropriate percentage of gas (25 % maximum) is confirmed.

Leak detection fluids are suitable for use with most refrigerants but the use of detergents containing chlorine shall be avoided as the chlorine may react with the refrigerant and corrode the copper pipe work.

If a leak is suspected, all naked flames shall be removed/extinguished. If a leakage of refrigerant is found which requires brazing, all of the refrigerant shall be recovered from the system, or isolated (by means of shut off valves) in a part of the system remote from the leak. Removal of refrigerant shall be according to Removal and Evacuation.

REMOVAL AND EVACUATION

When breaking into the refrigerant circuit to make repairs – or for any other purpose—conventional procedures shall be used. However, for flammable refrigerants it is important that best practices be followed, since flammability is a consideration. The following procedure shall be adhered to:

- a) Safely remove refrigerant following local and national regulations.
- b) Evacuate.
- c) Purge the circuit with inert gas. (optional for A2L)
- d) Evacuate. (optional for A2L)
- e) Continuously flush or purge with inert gas when using flame to open circuit.
- f) Open the circuit.

The refrigerant charge shall be recovered into the correct recovery cylinders if venting is not allowed by local and national codes. For appliances containing flammable refrigerants, the system shall be purged with oxygen-free

nitrogen to render the appliance safe for flammable refrigerants. This process might need to be repeated several times.

Compressed air or oxygen shall not be used for purging refrigerant systems. For appliances containing flammable refrigerants, refrigerant purging shall be achieved by breaking the vacuum in the system with oxygen-free nitrogen and continuing to fill until the working pressure is achieved, then venting to atmosphere, and finally pulling down to a vacuum (optional for A2L). This process shall be repeated until no refrigerant is within the system (optional for A2L). When the final oxygen-free nitrogen charge is used, the system shall be vented down to atmospheric pressure to enable work to take place. Ensure that the outlet for the vacuum pump is not close to any potential ignition sources and that ventilation is available.

CHARGING PROCEDURES

In addition to conventional charging procedures, the following requirements shall be followed.

- Ensure that contamination of different refrigerants does not occur when using charging equipment
- Hoses or lines shall be as short as possible to minimize the amount of refrigerant contained in them
- Cylinders shall be kept in an appropriate position according to the instructions.
- Ensure that the refrigeration system is earthed prior to charging the system with refrigerant.
- Label the system when charging is complete (if not already).
- Extreme care shall be taken not to overfill the refrigeration system.
- Prior to recharging the system it shall be pressure tested with nitrogen.
- The system shall be leak tested on completion of charging but prior to commissioning.
- A follow up leak test shall be carried out prior to leaving the site.

DECOMMISSIONING

Before carrying out this procedure, it is essential that the technician is completely familiar with the equipment and all its detail. It is recommended good practice that all refrigerants are recovered safely. Prior to the task being carried out, an oil and refrigerant sample shall be taken in case analysis is required prior to re-use of reclaimed refrigerant. It is essential that electrical power is available before the task is commenced.

- Become familiar with the equipment and its operation.
- Isolate the system electrically.
- Before attempting the procedure ensure that:
 - Mechanical handling equipment is available, if required, for handling refrigerant cylinders.
 - All personal protective equipment is available and being used correctly.
 - The recovery process is supervised at all times by a competent person.
 - Recovery equipment and cylinders conform to the appropriate standards.
- Pump down the refrigerant system, if possible.
- If a vacuum is not possible, make a manifold so that refrigerant can be removed from various parts of the system.
- Make sure that cylinder is situated on the scales before recovery takes place.
- Start the recovery machine and operate in accordance with instructions.
- Do not overfill cylinders. (No more than 80 % volume liquid charge).
- Do not exceed the maximum working pressure of the cylinder, even temporarily.
- When the cylinders have been filled correctly and the process completed, make sure that the cylinders and the equipment are removed from site promptly and all isolation valves on the equipment are closed off.
- Recovered refrigerant shall not be charged into another refrigeration system unless it has been cleaned and checked.

LABELING

Equipment shall be labeled stating that it has been de-commissioned and emptied of refrigerant. The label shall be dated and signed.

Ensure that there are labels on the equipment stating the equipment contains flammable refrigerant.

RECOVERY

When removing refrigerant from a system, either for servicing or decommissioning, it is recommended good practice

that all refrigerants are removed safely. When transferring refrigerant into cylinders, ensure that only appropriate refrigerant recovery cylinders are employed. Ensure that the correct number of cylinders for holding the total system charge is available. All cylinders to be used are designated for the recovered refrigerant and labeled for that refrigerant (i.e. special cylinders for the recovery of refrigerant).

Cylinders shall be complete with pressure relief valve and associated shut-off valves in good working order. Empty recovery cylinders are evacuated and, if possible, cooled before recovery occurs.

The recovery equipment shall be in good working order with a set of instructions concerning the equipment that is at hand and shall be suitable for the recovery of flammable refrigerants. In addition, a set of calibrated weighing scales shall be available and in good working order. Hoses shall be complete with leak-free disconnect couplings and in good condition.

Before using the recovery machine, check that it is in satisfactory working order, has been properly maintained and that any associated electrical components are sealed to prevent ignition in the event of a refrigerant release. Consult manufacturer if in doubt. The recovered refrigerant shall be returned to the refrigerant supplier in the correct recovery cylinder, and the relevant Waste Transfer Note arranged.

Do not mix refrigerants in recovery units and especially not in cylinders.

If compressors or compressor oils are to be removed, ensure that they have been evacuated to an acceptable level to make certain that flammable refrigerant does not remain within the lubricant. The evacuation process shall be carried out prior to returning the compressor to the suppliers. Only electric heating to the compressor body shall be employed to accelerate this process. When oil is drained from a system, it shall be carried out safely.

Non-duct connected appliances containing A2L refrigerants with the supply and return air openings in the conditioned space may have the body of the appliance installed in open areas such as false ceilings not being used as return air plenums, as long as the conditioned air does not directly communicate with the air of the false ceiling.



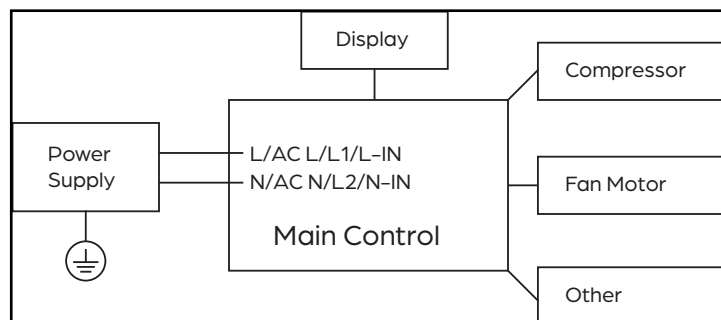
GENERAL SAFETY

- Children and people with reduced physical, sensory, or mental capabilities, or lack of experience and knowledge, should only use this air conditioner if they are given supervision or instructions concerning use of the air conditioner in a safe way and understand the hazards involved.
- Children should not play with the air conditioner.
- Turn off the main power switch when not using the unit for a long time; failure to follow instructions could cause product failure or fire.
- Ventilate the room before operating the air conditioner, if there is a gas leakage from another appliance. It could cause explosion, fire, and burns.
- Ventilate the room well when used together with a stove, etc. An oxygen shortage could occur.
- Do not sit or stand directly in front of the cold air output for a prolonged period; it could damage your health.
- When the unit is to be cleaned, switch the unit off and turn off the circuit breaker.
- Do not clean unit when power is on as it may cause fire, electric shock, or injury.
- Do not use strong detergent to clean the unit; the unit's appearance can be affected or scratched.
- Use a soft cloth to clean the unit.
- Do not clean the air conditioner with water; water may enter the unit and degrade the insulation or cause an electric shock.
- When removing the air filter, do not touch the metal parts of the unit; they are sharp and could cause an injury.
- Always operate the unit with filters. Without filters, the air conditioner could fail.
- Please clean the filter every two weeks.
- When handling unit, be careful to avoid cuts from sharp metal edges and aluminum fins on front and rear coils.
- Do not use this device for any other purpose than its intended use.
- Do not use this air conditioner to preserve precision devices, food, pets, plants, and art objects; It could cause deterioration of quality, etc.
- Do not place obstacles around air-inlets or inside of the air-outlet; It may cause unit failure.
- Don't drink water drained from air conditioner; it contains contaminants and could make you sick.
- Use caution when unpacking and installing. Sharp edges could cause injury.
- Stop operation and close the windows in a storm or hurricane. Operating with windows open may allow water to get inside.

- Do not operate your air conditioner in a wet room such as a bathroom or laundry room.
- Keep firearms away from the unit; they could cause a fire.
- Do not store or use gasoline or other flammable vapors and liquids in the vicinity of this or any other appliance.
- Do not run the air conditioner without side protective cover in place. This could result in mechanical damage within the air conditioner.
- Ensure that the installation bracket of the outdoor appliance is not damaged due to prolonged exposure. If the bracket is damaged, there is concern of damage due to the unit falling.
- Do not operate the louvers with your hands. It could cause an injury. Use the louver control tab to change venting direction.

ELECTRICAL SAFETY

- Unplug the unit if strange sounds, smells, or smoke comes from it; failure to follow instructions could result in electric shock or fire.
- Always install a circuit breaker and a dedicated power circuit; failure to follow instructions could result in electric shock or fire.
- Do not operate the unit with wet hands or in damp environment; it could cause electric shock.
- Do not allow water to run into electrical parts; it could cause the unit to fail.
- If water enters the unit, turn the unit off at the power outlet and switch off the circuit breaker. Isolate the supply by taking the power-plug out. Contact a qualified service technician.
- Do not open the unit during operation; it could cause electric shock.
- Do not use an electrical socket if it is loose or damaged; it may cause fire and electric shock.
- Do not disassemble or modify unit; it may cause failure and electric shock.
- Install in accordance with national wiring regulations and NEC and CEC requirements.
- Aluminum house wiring may present special problems—consult a qualified electrician.
- Appliances with electric heaters shall have at least three feet (one meter) clearance space from combustible materials.

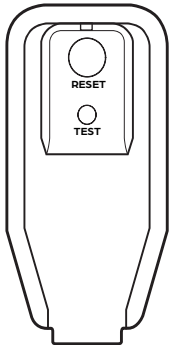


WARNING: Strictly follow the wiring label attached to the machine for all wiring connections. The above wiring diagram is a simplified version for preliminary illustration purposes only.



POWER SUPPLY CORD

The power supply cord contains a current device that senses damage to the power cord. To test your power supply cord, do the following:



1. Press the RESET button.
2. Plug in the air conditioner.
3. Press the TEST button. You will notice a click as the RESET button pops out.
4. Press the RESET button. Again, you will notice a click as the button engages.
5. The power supply cord is now supplying electricity to the unit.
(On some products this is also indicated by a light on the plug head).

Do not use the air conditioner if this test fails.

- Do not operate or stop the unit by inserting or pulling out the power plug; failure to follow instructions could result in electric shock or fire.
- Always make sure the RESET button is pushed in for correct operation.
- The power supply cord must be replaced if it fails reset when either the TEST button is pushed or it cannot be reset. A new one can be obtained from Durastar.
- If the power supply cord is damaged, it cannot be repaired. It MUST be replaced by one obtained from Durastar.
- Plug in the unit's power plug correctly; failure to follow instructions could result in electric shock or fire.
- Hold the plug by the head of the power plug when taking it out; failure to follow instructions could cause electric shock and damage.
- Ensure that the power cord is not compressed; failure to follow instructions could result in electric shock or fire.
- Do not modify the power cord length; failure to follow instructions could result in electric shock or fire.
- Do not damage the power cord, or use an unspecified power cord or adapter plug; failure to follow instructions could result in electric shock or fire.
- Do not use the power cord close to heating appliances; failure to follow instructions could result in electric shock or fire.
- Do not use the power cord near flammable gas or combustibles, such as gasoline, benzene, thinner, etc.; it may cause an explosion or fire.
- Do not share the electrical outlet with other appliances; failure to follow instructions could result in electric shock or fire.
- Be sure the electrical service is adequate for the model you have chosen. This information can be found on the serial plate, which is located on the side of the cabinet and behind the grille.
- Your air conditioner must be used in a properly grounded wall receptacle. If the wall receptacle you intend to use is not adequately grounded or protected by a time delay fuse or circuit breaker, have a qualified electrician install the proper receptacle. Ensure the receptacle is accessible after the unit installation.
- Always confirm correct grounding; incorrect grounding could cause electric shock. The power cord is equipped with a three-prong grounding plug for protection against shock hazards.



WARNING

- Do not use an extension cord or an adapter plug.
- Do not, under any circumstances, cut, remove, or bypass the grounding prongs.

OPERATING TEMPERATURES

Your air conditioner is designed to operate in the following indoor and outdoor temperatures. When your air conditioner is used outside of the following temperature ranges, performance may be reduced.

TEMPERATURE RANGES

	COOL mode	HEAT mode
INDOOR AIR TEMPERATURE	62°F – 90°F (17°C – 32°C)	32°F – 80°F (0°C – 27°C)
OUTDOOR AIR TEMPERATURE	64°F – 109°F (18°C – 43°C)	23°F – 76°F (-5°C – 24°C)

TO FURTHER OPTIMIZE THE PERFORMANCE OF YOUR UNIT, DO THE FOLLOWING:

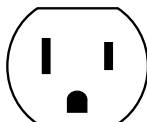
- Keep doors and windows closed.
- Limit energy usage by using TIMER ON and TIMER OFF features.
- Do not block air inlets or outlets.
- Regularly inspect and clean air filters.

SPECIFICATIONS

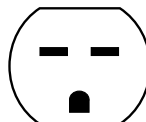
MODEL	VOLTAGE/ FREQUENCY	PLUG TYPE (NEMA)	BTU/H cooling	BTU/H heating	CURRENT(A) Cooling (heating)	Refrigerant	NET WEIGHT	DIMENSIONS (W X D X H)
DRTHC081XNA1	115V/60HZ	NEMA 6-15P	8,000	4,200	9.4; (12.0)	R32	67 LBS	24-1/4" x 20-1/4" x 14-1/2"
DRTHC102XNA1	208-230V/60HZ	NEMA 6-20P	10,000/ 9,800	10,600/ 8,600	5.4/6.0; (15.0/14.0)	R32	68 lbs	24-1/4" x 20-1/4" x 14-1/2"
DRTHC122XNA1	208-230V/60HZ	NEMA 6-20P	12,000/ 11,700	10,600/ 8,600	6.5/7.0; (15.0/14.0)	R32	75 LBS	24-1/4" x 20-1/4" x 14-1/2"
DRTHC142XNA1	208-230V/60HZ	NEMA 6-20P	14,000/ 13,600	10,600/ 8,600	7.9/8.5; (15.0/14.0)	R32	77 LBS	24-1/4" x 20-1/4" x 14-1/2"
DRTAC081XNA1	115V/60HZ	NEMA 5-15P	8,000	n/a	7.10	R32	63 LBS	24-1/4" x 20-1/4" x 14-1/2"
DRTAC101XNA1	115V/60HZ	NEMA 5-15P	10,000	n/a	8.70	R32	67 LBS	24-1/4" x 20-1/4" x 14-1/2"
DRTAC102XNA1	208-230V/60HZ	NEMA 6-15P	10,000	n/a	4.6/4.9	R32	67 LBS	24-1/4" x 20-1/4" x 14-1/2"
DRTAC121XNA1	115V/60HZ	NEMA 5-15P	12,000	n/a	11.00	R32	73 LBS	24-1/4" x 20-1/4" x 14-1/2"
DRTAC122XNA1	208-230V/60HZ	NEMA 6-15P	12,000	n/a	5.2/5.6	R32	73 LBS	24-1/4" x 20-1/4" x 14-1/2"
DRTAC142XNA1	208-230V/60HZ	NEMA 6-15P	14,000/ 13,600	n/a	7.0/7.7	R32	75 LBS	24-1/4" x 20-1/4" x 14-1/2"

PLUG TYPES

NEMA 5-15P



NEMA 6-15P



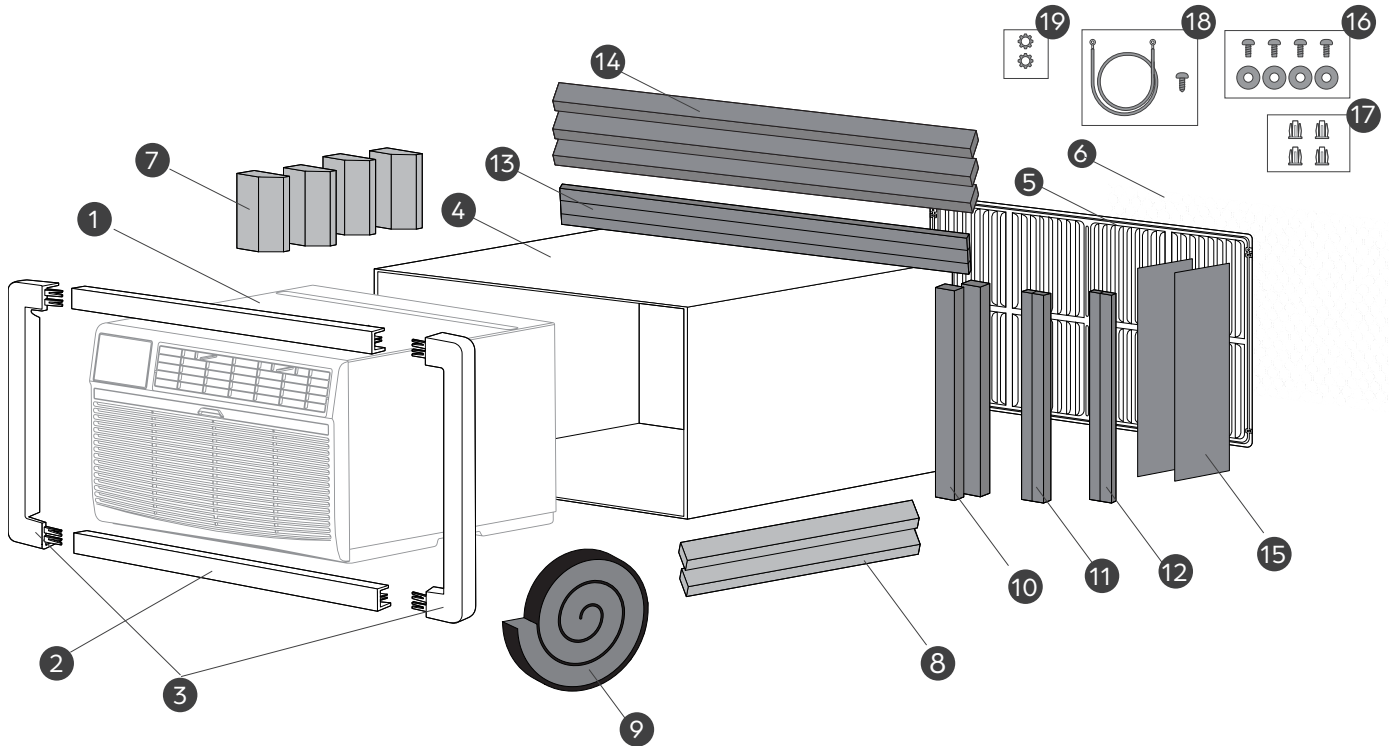
NEMA 6-20P



ACCESSORIES

INCLUDED INSTALLATION ACCESSORIES

The air conditioning system comes with the following accessories.



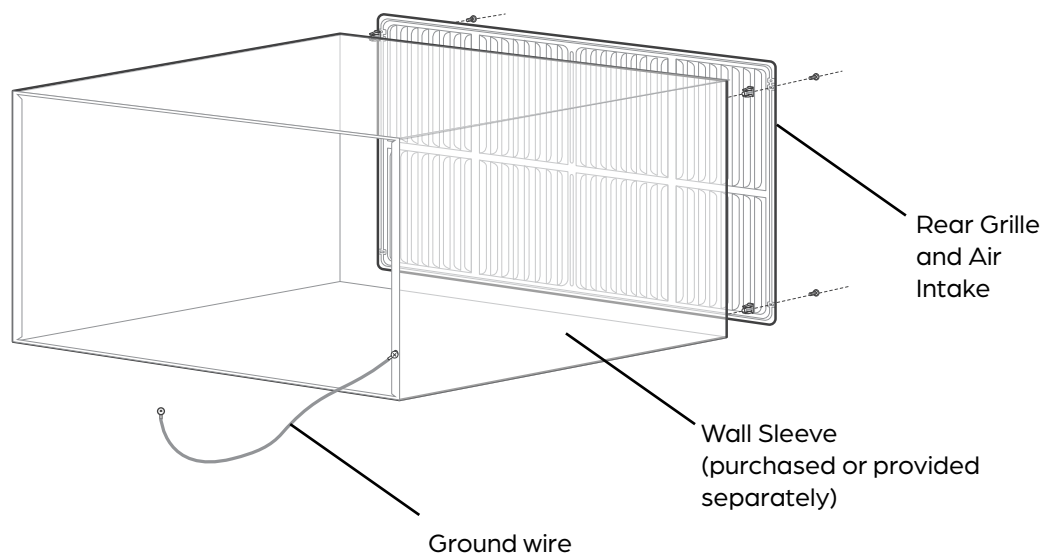
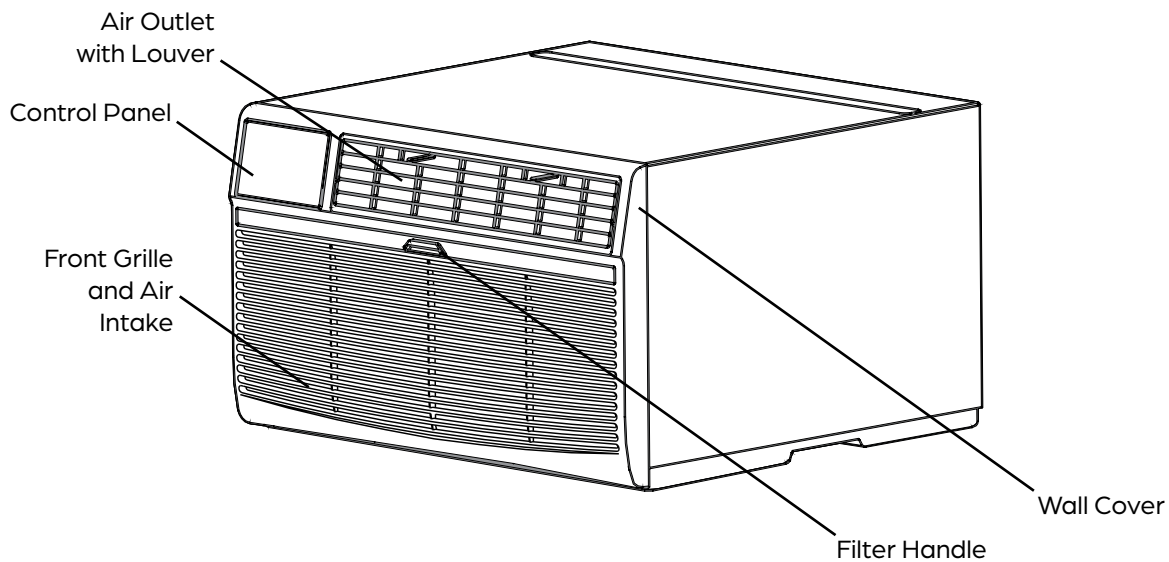
No.	Accessory	Quantity
1	Air Conditioner	1
2	Trim Frame (Top & Bottom Legs)	2
3	Trim Frame (Side Legs)	2
4	Wall Sleeve (Purchase Separately)	1
5	Aluminum Grille	1
6	Plastic Grille (1/8" X 4-1/2" X 14-1/2")	1
7	Centering/Support Blocks (Blue) (4-1/2" X 3-1/2" X 1-1/2")	4
8	Tapered Spacer Block (Blue) (7/8" X 1-1/8" X 17")	2
9	Stuffer-Seal (1" X 1-1/2" X 84")	1
10	Seal (1" X 1-1/2" X 14")	2
11	Seal (1" X 3/4" X 14")	2
12	Seal (1" X 3/8" X 14")	2
13	Seal (1" X 3/8" X 24-1/2")	3
14	Seal (1" X 1-1/2" X 24-1/2")	3
15	Plastic Divider*2 (1/8" X 4-1/2" X 14-1/2")	2
16	Screw And Screw Washer	4
17	Nuts(Plastic)	4
18	Ground Wire And Grounding Screw	1
19	Toothed Washer For Grounding Screw	2

TOOLS NEEDED

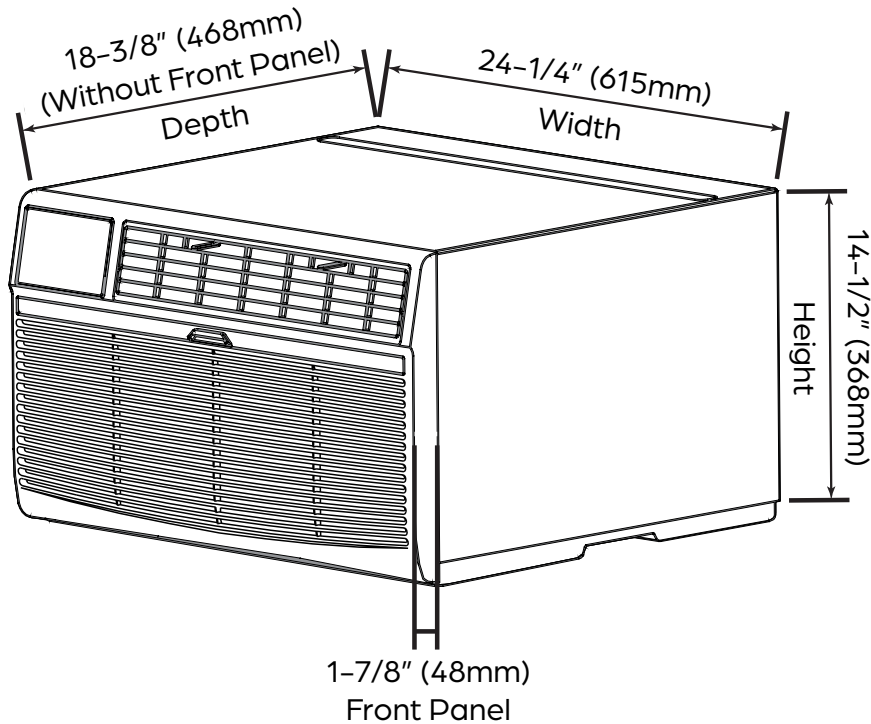
The following tools are required for installation.

- Gloves
- Screwdrivers
- Drill
- Pencil
- Tape Measure/Ruler
- Scissors/Knife
- Level

PARTS IDENTIFICATION



PARTS DIMENSIONS



INSTALLATION OVERVIEW

BASIC INSTALLATION STEPS

PRE-INSTALLATION

- Prepare Wall Sleeve and Ground Wire
- Install The Aluminum Grille
- Attach Seals to Wall Sleeve

INSTALLATION

- Attach Front Frame Pieces
- Insert Main Seal
- Insert The Air Conditioner Into Wall Sleeve And Attach Ground Wire

PRE-INSTALLATION STEPS

PREPARE THE WALL SLEEVE AND GROUND WIRE

Your Durastar Though The Wall (TTW) air conditioner is designed to be installed in conjunction with a wall sleeve. To install your Durastar air conditioner, you need to determine if you will use an existing wall sleeve or if you need to install a new wall sleeve.

USE AN EXISTING WALL SLEEVE

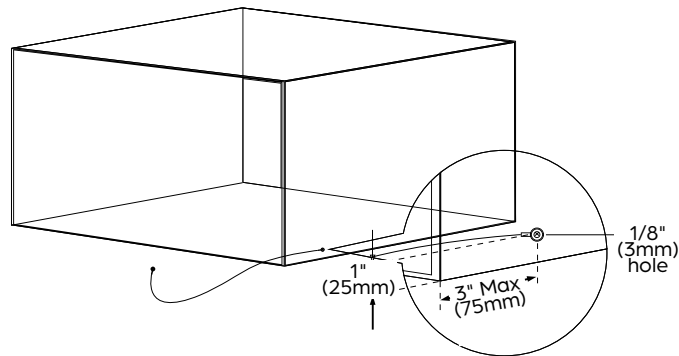
If you are installing your new Durastar air conditioner into an existing wall sleeve, please confirm that:

- The wall sleeve is in sound structural condition.
- The wall sleeve is sized appropriately to accommodate your Durastar air conditioner.

The Durastar Air Conditioner dimensions are: 24-1/2" wide, 14-1/2" high, and 20-1/4" deep (with front panel).

TO PREPARE THE EXISTING SLEEVE AND THE GROUND WIRE, DO THE FOLLOWING:

1. Remove the old air conditioner from the wall sleeve.
2. Clean the interior.
3. Remove any existing seals.
4. There should be an existing hole for grounding the unit. If there is not, it will be necessary to drill a 1/8" clearance hole for a grounding screw through the left side of the wall sleeve in a clear area, no more than three inches back from the front edge of the sleeve.

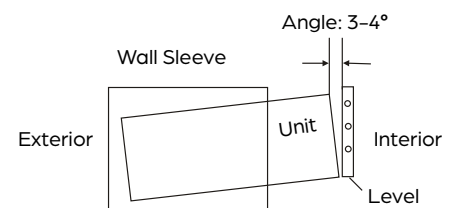


5. Connect the ground wire to the sleeve, using the grounding screw (No. 18).
6. Pull the loose end of the ground wire out the front of the sleeve and temporarily bend it down and around the lower edge of the sleeve. This ground wire will later be attached to the frame of air conditioner once it is installed.
7. Ensure the wall sleeve is securely fastened in the wall before installing the air conditioner. Use additional nails or screws if needed.

CAUTION



- All wall sleeves used to mount the new air conditioner must be in sound structural condition and have a rear grille that securely attaches to the sleeve or a rear flange that serves as a stop for the air conditioner.
- When installation is complete, the replacement unit **MUST** have a rearward slope as shown.
- Do not use any screws other than those specified here.



INSTALL A NEW WALL SLEEVE

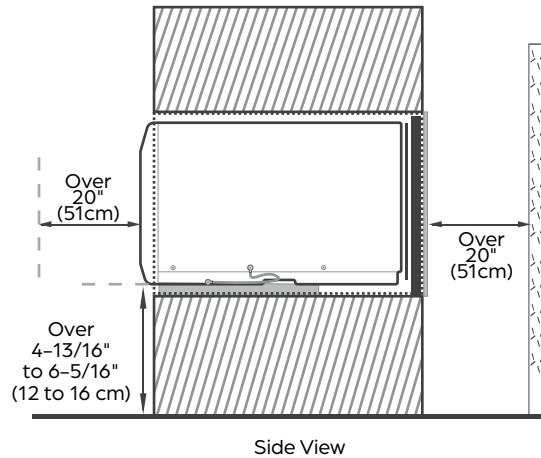
NOTE



The Durastar Through The Wall Air Conditioner Sleeve is designed specifically for Durastar's line of through the wall air conditioners and can be purchased at www.durastar.com. Part No. # DRWTCSLV.

TO INSTALL THE DURASTAR SLEEVE AND PREPARE THE GROUND WIRE, DO THE FOLLOWING:

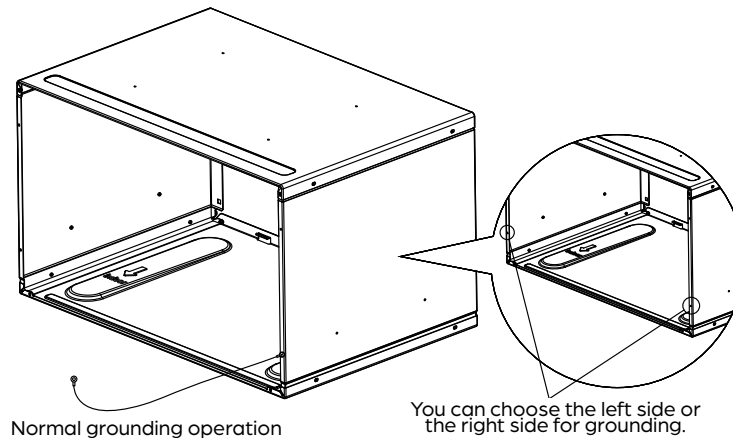
1. Select the wall sleeve installation location, based upon the following image.



NOTE

Further instructions on assembling and installing the Durastar sleeve are provided with the sleeve.

2. Attach the ground wire to the wall sleeve. Under the front of the wall cover, there should be two 1/8" holes for grounding. Connect the ground wire to the sleeve, using the grounding screw (No. 18).



3. Ensure the wall sleeve is securely fastened in the wall, before installing the air conditioner. Use additional nails or screws if needed.
4. Pull the loose end of the ground wire out the front of the sleeve and temporarily bend it down and around the lower edge of the sleeve. This ground wire will later be attached to the frame of air conditioner once it is installed.

INSTALL THE ALUMINUM GRILLE

NOTE

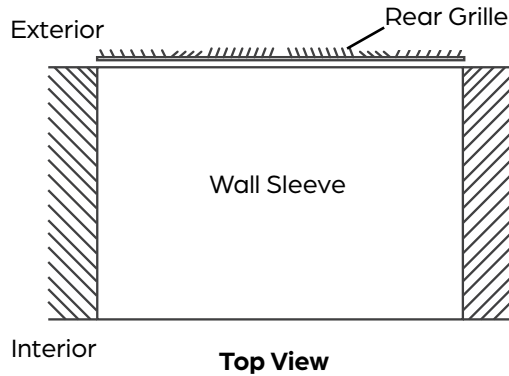


- Please use the rear aluminum grille that was shipped with your new air conditioning unit. This will ensure proper air flow from the back of the unit and the best performance of your air conditioner. If your installation uses a previously installed wall sleeve, please replace the rear grille with the one provided with your new air conditioner.
- Most decorative exterior grilles may be left in place as long as the new grille is installed or a proper interior air direction grille is installed.

ATTACHING GRILLE TO SLEEVE

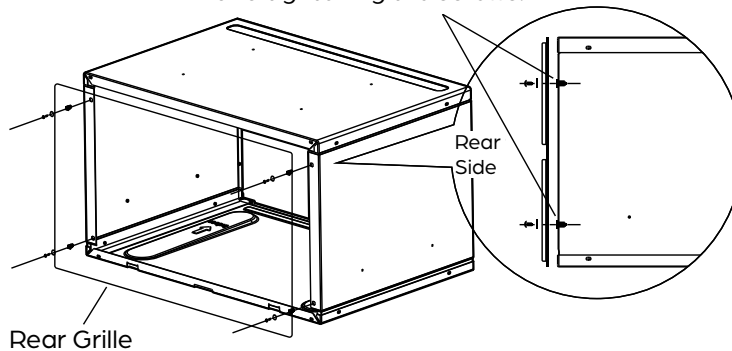
This is the preferred method to mount the new aluminum grille. Attached to the sleeve, the unit's performance is better and the occurrence of draughts is reduced. The grille can also be attached to the air conditioner directly.

1. Remove existing interior air direction grille, if applicable.
2. Place the new grille included with the air conditioner towards the rear of the sleeve, with the fins extruding outward.



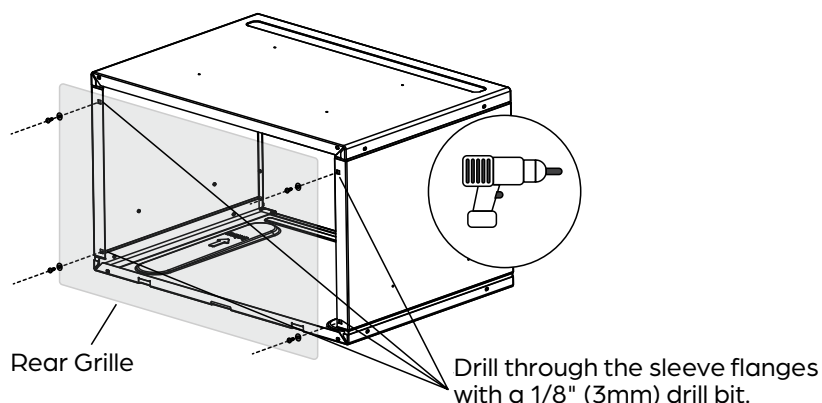
3. Attach the new grille to the sleeve with the four screws and washers (No. 16) and four anchors (No. 17).

Press the four anchors (No.17) into the hole of the wall sleeve before installing the aluminum grille and tightening the screws.



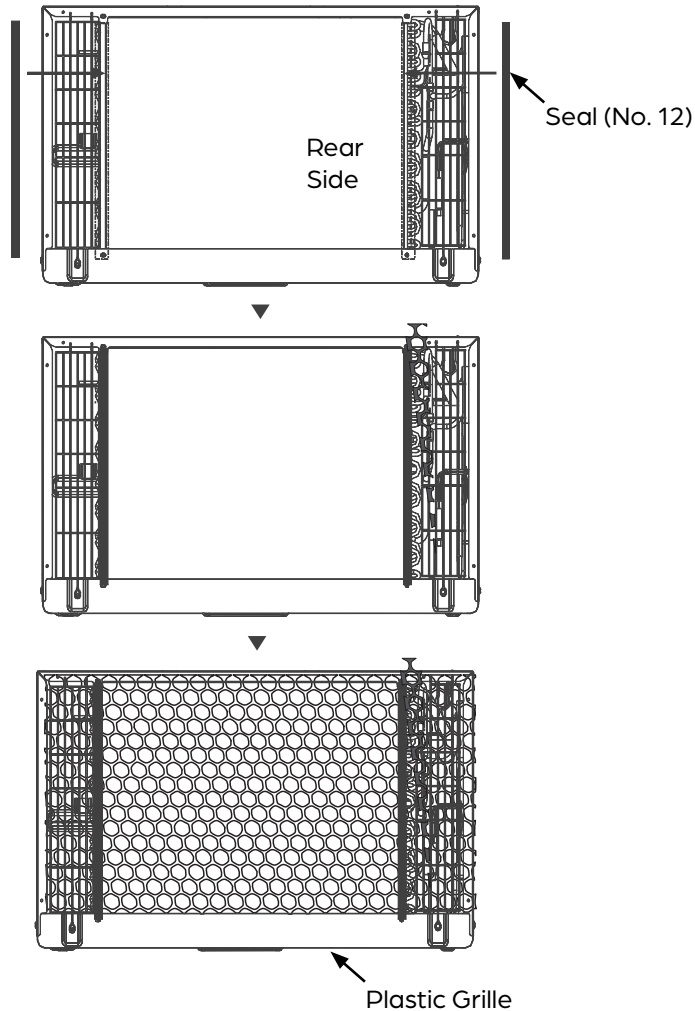
To Install the Aluminum Grille on a Wall Sleeve Without Screw Holes, do the following:

1. Mark the through hole positions on the wall sleeve, using the grille as a template.
2. Drill the holes with a 1/8" (3mm) drill bit.
3. Attach the new grille to the sleeve with the four screws and washers (No. 16) and four anchors (No. 17).

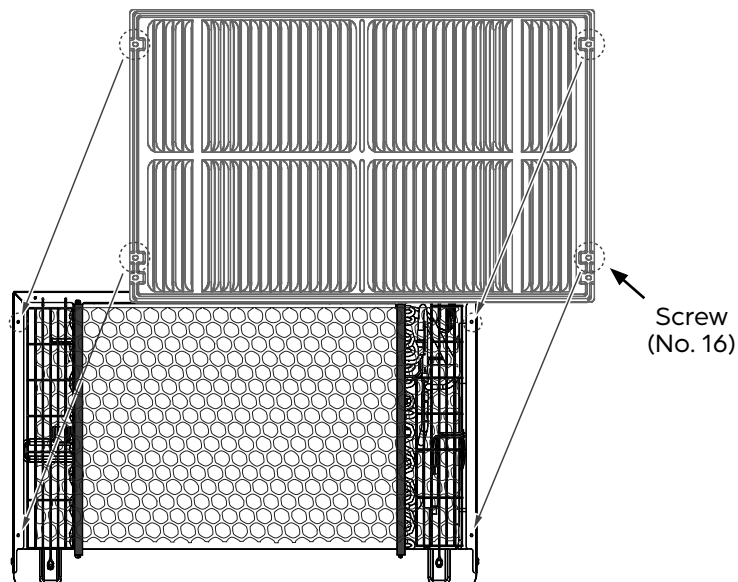


ATTACHING GRILLE TO AIR CONDITIONER

1. Paste the seals (No.12) as shown. It provides a safe distance between the fins and the Aluminum Grille, and acts as a buffer to prevent them from touching.
2. Attach the Plastic Grille (No. 6) to the back of the unit.



3. Line up the Aluminum Grille with the rear hole of the unit as shown, then tighten and secure it using four screws and washers (NO.16). If the unit has not been pre-drilled, carefully drill four 1/8" (3mm) holes through the grille and into the side flange of the unit, then fasten it with four screws and washers (NO.16). Be careful not to drill into the copper heat exchanger coils. The protruding side of the aluminum grille fin needs to be mounted outwards.



ATTACH SEALS TO THE WALL SLEEVE

In order to enable a proper fit for the air conditioner, seals and foam support blocks are placed inside of the wall sleeve. The seals and blocks provide:

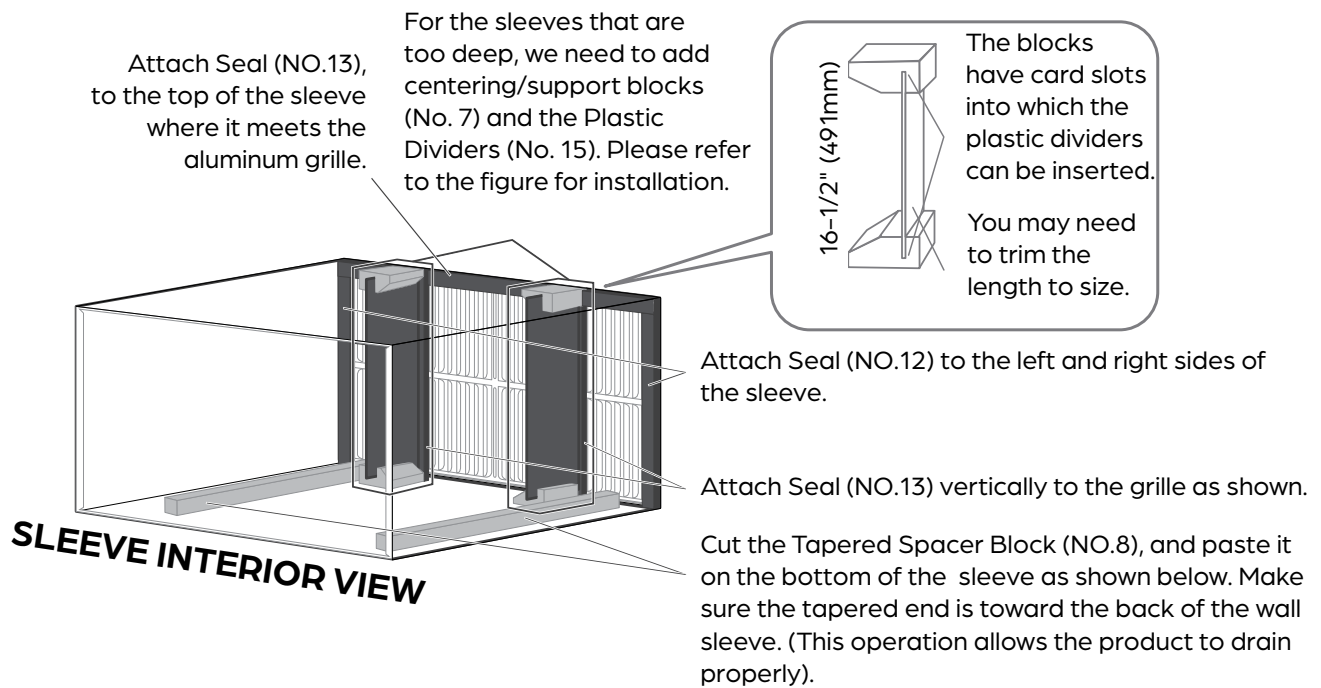
- Cushioning between the air conditioner, the sleeve, and the rear grille or flange.
- Additional padding to ensure a rearward slop, as required.

The seals and blocks are backed with glue. You will need to remove the paper on the back of the seals and blocks to install them.

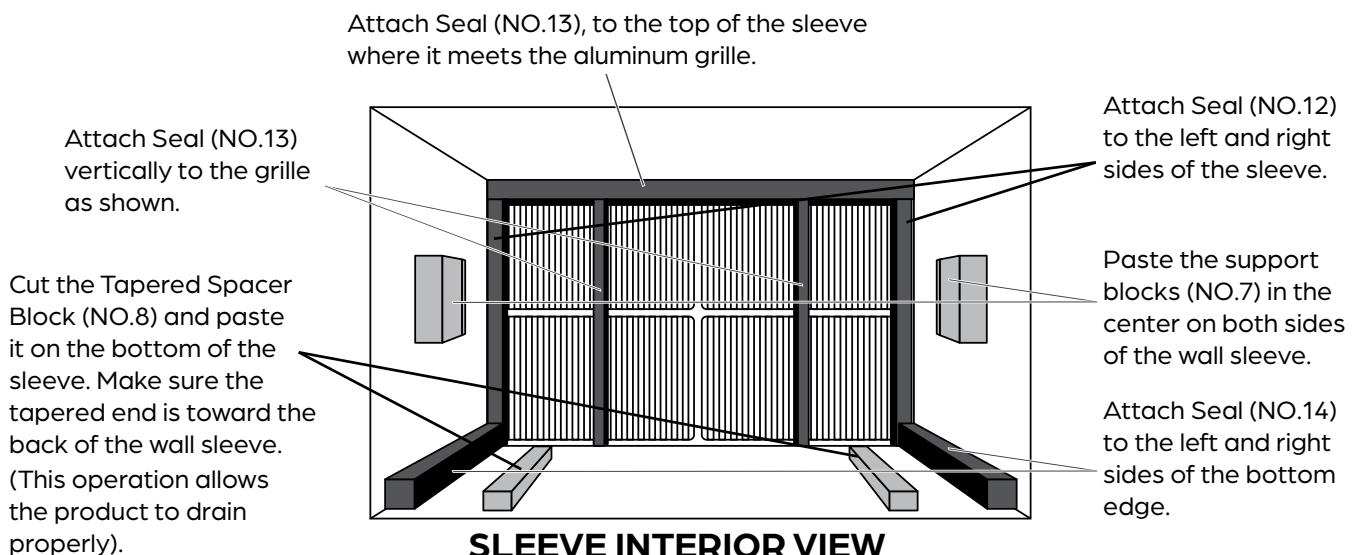
ATTACHING SEALS TO AN EXISTING WALL SLEEVE

The seals and blocks may need to be trimmed to fit your particular installation. Be careful when cutting.

FOR EXISTING SLEEVES THAT ARE DEEPER THAN THE UNIT:

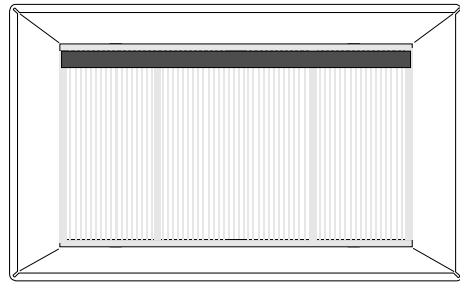


FOR EXISTING SLEEVES THAT ARE WIDER THAN THE UNIT:

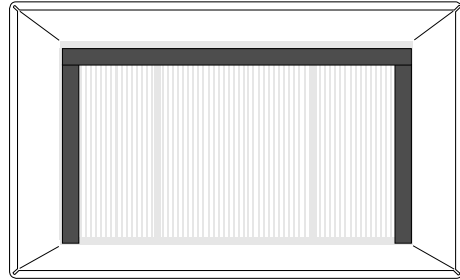


ATTACHING SEALS TO A NEW DURASTAR WALL SLEEVE**SLEEVE INTERIOR VIEW**

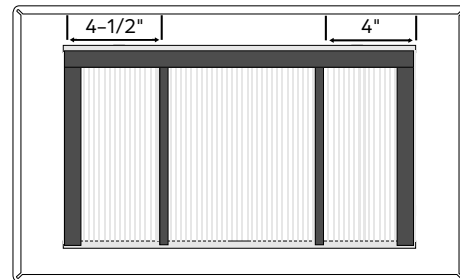
1. Attach one (No. 13) seal horizontally.



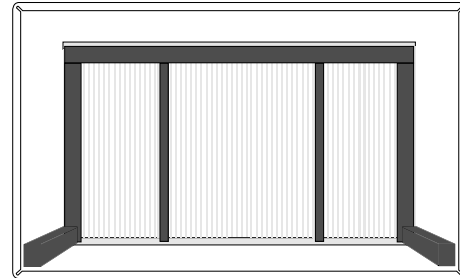
2. Attach two (No. 12) seals vertically.



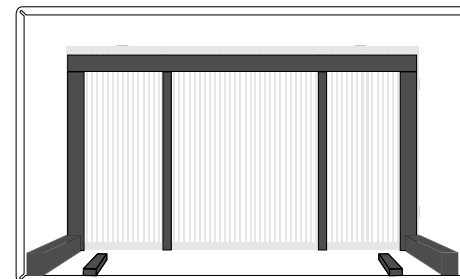
3. Attach two (No. 11) seals vertically.
(Attach 4-1/2" from left side and 4" from right side).



4. Attach two (No. 10) seals as indicated.



5. Attach two (NO. 8) tapered support blocks as indicated.



INSTALLATION STEPS

CAUTION

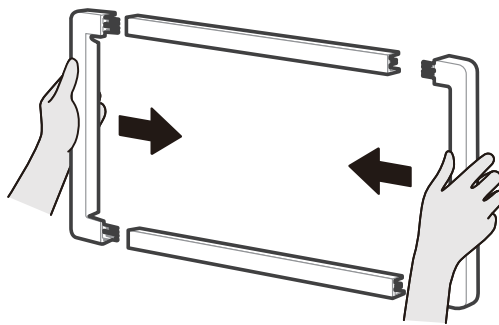


To avoid risk of injury, please take the following precautions:

- Use two or more people to handle and install the air conditioner.
- Use proper lifting and carrying techniques.
- Wear protective gloves to help avoid injury from sharp edges.

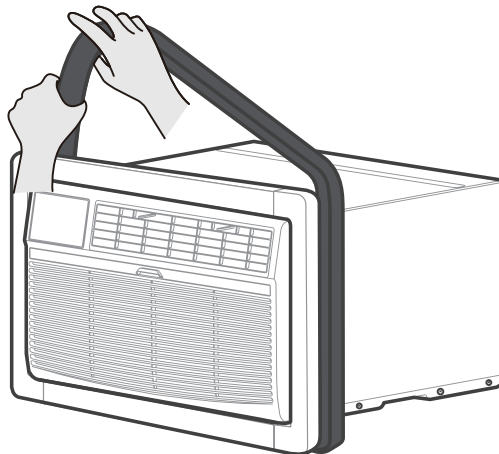
ATTACH THE FRONT FRAME PIECES

Assemble the trim frame (No.2) by inserting the top and bottom pieces into the side pieces (No.3), and embed it into the unit flush with the front panel.



INSERT THE MAIN SEAL (NO. 9)

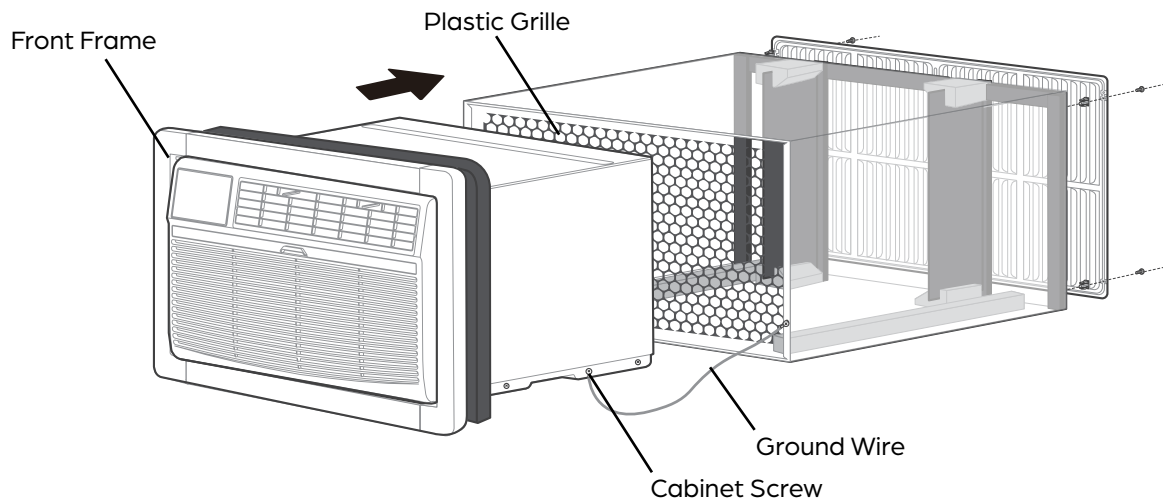
Using a putty knife or flathead screwdriver, insert the seal into the gap between the air conditioner cabinet and the Wall Sleeve frame. Trim the seal as needed.



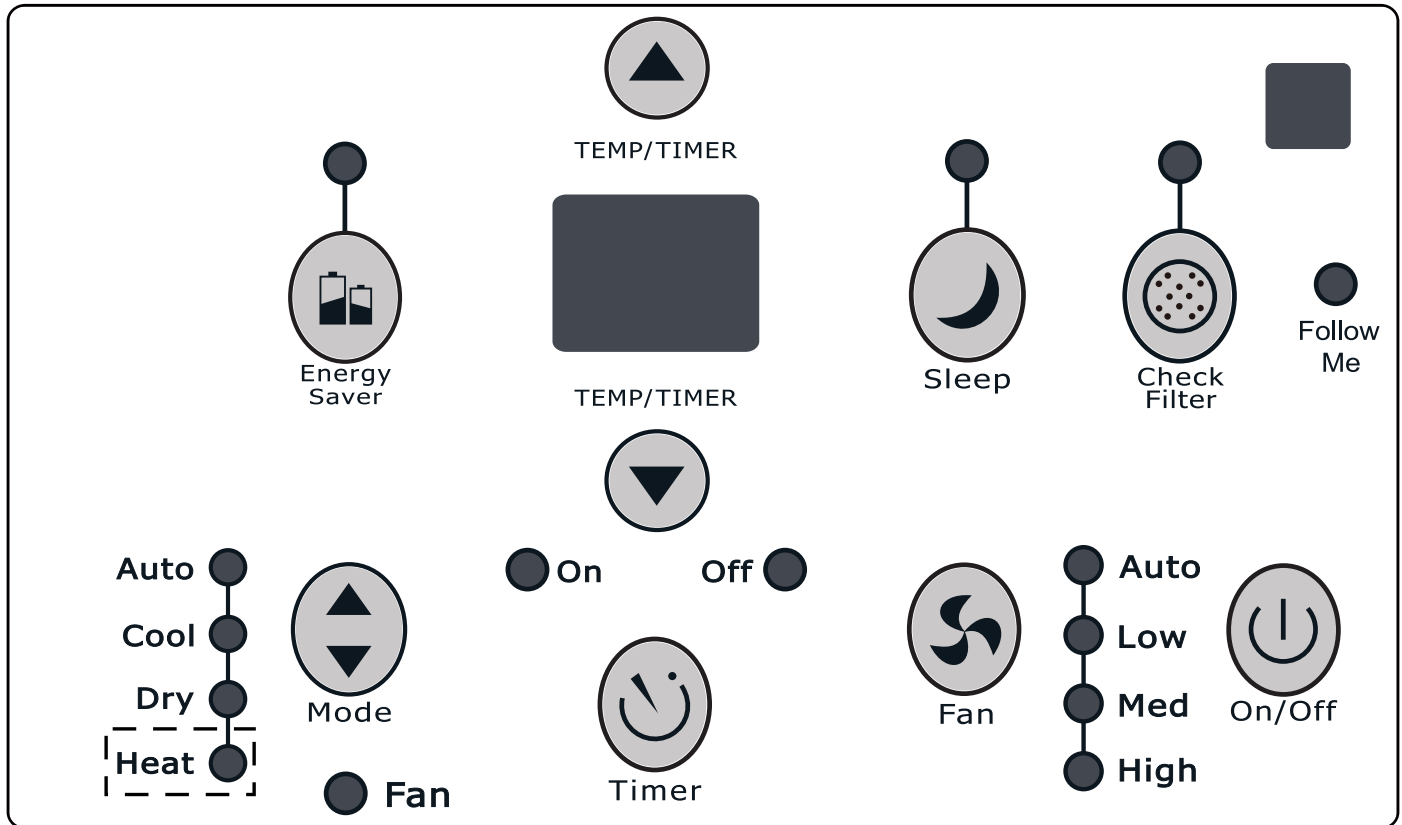
INSERT THE AIR CONDITIONER INTO THE WALL SLEEVE

Remove the cabinet screw on the side of the air conditioner cabinet. Set aside the screw. The ground wire will be attached to the air conditioner, using this screw and a toothed washer (No. 19).

1. Place the plastic grille (No. 6) in the wall sleeve, between the rear aluminum grille or flange and the air conditioning unit.
2. Using two people, lift the air conditioner and place it partway into the sleeve, leaving the cabinet screw hole exposed.
3. Connect the ground wire to the AC unit, making sure the protruding side of the toothed washer is pressed against the cabinet.
4. Slide the air conditioner completely to the rear of the wall sleeve, ensuring that all seals and foam support blocks create a snug fit for the unit. Please be sure that the ground wire does not become entangled when the unit is pushed back into the wall sleeve.
5. Pull the power cord through the front frame and then slide the front frame over the unit, until it is flush with the wall.
6. Plug in the unit and turn it on.



CONTROL PANEL



*Control panel for unit with heat shown.

TO TURN THE UNIT ON/OFF:

Press the Power Button to turn the unit on or off.

NOTE



- The Cool circuit has an automatic three minute time delayed start if the unit is turned off and on quickly. This prevents overheating of the compressor and possible circuit breaker tripping. The fan will continue to run during this time.
- If power is cut off to the unit, it will restart with the previous function setting automatically when the power resumes.
- The Follow Me feature can only be activated by the remote.

TO CHANGE THE TEMPERATURE:

Press the TEMP/TIMER up  and down  arrows to change the temperature setting.

This temperature will be automatically maintained anywhere between 62°F (17°C) and 86°F (30°C). If you want the display to read the actual room temperature, see *To Select Operating Mode: Fan Only Mode*.

Your Durastar air conditioner can display temperature in both Fahrenheit and Celsius. To switch between Fahrenheit and Celsius, press and hold the TEMP/TIMER up and down arrows at the same time for three seconds.

TO ADJUST FAN SPEEDS:

Press the Fan Button to cycle through four steps- Auto, Low, Medium, or High. Each time the button is pressed the fan speed mode is shifted.

For some models, the fan speed cannot be adjusted under HEAT mode. For Dry mode, the fan speed is controlled at Low automatically.

TO SELECT OPERATING MODE:

To choose the operating mode, press the Mode Button . Each time you press the button, a mode is selected in a sequence that goes from Auto, Cool, Dry, Heat (cooling-only models without), to Fan. The indicator light beside the Mode button will be illuminated and remain on once the mode is selected.

The unit will start the Energy Saver function automatically under Cool, Dry, and Auto (only Auto-Cooling and Auto-Fan) modes.

AUTO MODE

- When you set the unit to Auto mode, it will automatically select Cooling or Fan Only operation, depending on the temperature selected and the current room temperature.
- Once the temperature you selected is achieved, the unit will automatically maintain the room temperature.
- In this mode the fan speed cannot be adjusted. It will start automatically at a speed calibrated to the actual room temperature.

COOL MODE

- Use the TEMP/TIMER up and down arrows to choose the desired temperature.
- When Cool Mode is selected, the fan speed can be adjusted by pressing the fan button.

DRY MODE

In this mode, the air conditioner will operate as a dehumidifier. Because the conditioned space is closed or sealed, some degree of cooling will continue to occur.

HEAT MODE (COOLING-ONLY MODELS EXCLUDED)

- Use the TEMP/TIMER up and down arrows to set the desired temperature.
- Press the fan button to select the fan speed. For some models, the fan speed can't be adjusted.

FAN ONLY MODE

- Use this function only when cooling is not desired, such as for room circulation or to exhaust air (remember to open the vent). You can choose any speed you prefer.
- During this function, the display will show the actual room temperature, not a set temperature, as in the cooling mode.
- In Fan Only mode, the temperature is not adjusted.

TO USE THE ENERGY SAVER FEATURE:

To start the Energy Saver Feature, press the Energy Saver Button . This feature is available on "Cool", "Dry", and "Auto" (only auto-cooling and auto-fan). The fan will continue to run for three minutes after the compressor shuts off, then the fan will cycle on for two minutes at 10 minute intervals until the room temperature is above the set temperature, at which point the compressor turns back on and cooling starts.

TO USE THE SLEEP FEATURE:

To start the Sleep Feature, press the Sleep Button on the remote. THIS FEATURE IS ONLY ACTIVATED BY THE REMOTE.

In this mode, the selected temperature will increase (cooling) or decrease (heating, if applicable) by 2°F (1°C) 30 minutes after the mode is selected. The temperature will then increase (cooling) or decrease (heating, if applicable) by another 2°F (1°C) after an additional 30 minutes.

This new temperature will be maintained for seven hours, before it returns to the originally selected temperature. This ends the Sleep mode and the unit will continue to operate as originally programmed. The Sleep Mode program can be cancelled at any time during operation by again pressing the Sleep button.

TO USE THE CHECK FILTER FEATURE:

This feature is a reminder to clean the air filter for more efficient operation. The LED light will illuminate after 250 hours of operation. To reset after cleaning the filter, simply press the Check Filter button and the light will go off.

TO USE THE TIMER (AUTO START/STOP) FEATURE:

- To initiate the Auto Start feature, press the Timer button or press the "Timer On" button on the remote. The "Timer On" light illuminates, indicating that the Auto Start/Stop program is initiated.
- To switch off, press the Timer button again or press the "Timer Off" button on the remote. The "Timer Off" light illuminates, indicating that the Auto Stop program is initiated.
- Press or hold the TEMP/TIMER up and down arrows to change the Auto Time by 1/2 hour increments up to 10 hours, then by one hour increments up to 24 hours. The control will count down the time remaining until start.
- The selected time will display for five seconds and then will automatically revert back to display the previous temperature setting or room temperature when the unit is on. (Note- when the unit is off, there is no display.)
- Turning the unit ON or OFF at any time, or adjusting the timer setting to 0.0, will cancel the Auto Start/Stop program.

DIGITAL DISPLAY

- Shows the set temperature in °F or °C and the Auto-Timer settings.
- While on Fan-Only mode, it shows the room temperature.
- If the room temperature is too high or too low, it displays "HI" or "LOW."

ERROR CODES

AS-Room temperature sensor error- Unplug the unit and plug it back in. If error repeats, call for service.

ES-Evaporator temperature sensor error- Unplug the unit and plug it back in. If error repeats, call for service.

HS-Electric heating sensor error- Unplug the unit and plug it back in. If error repeats, call for service.

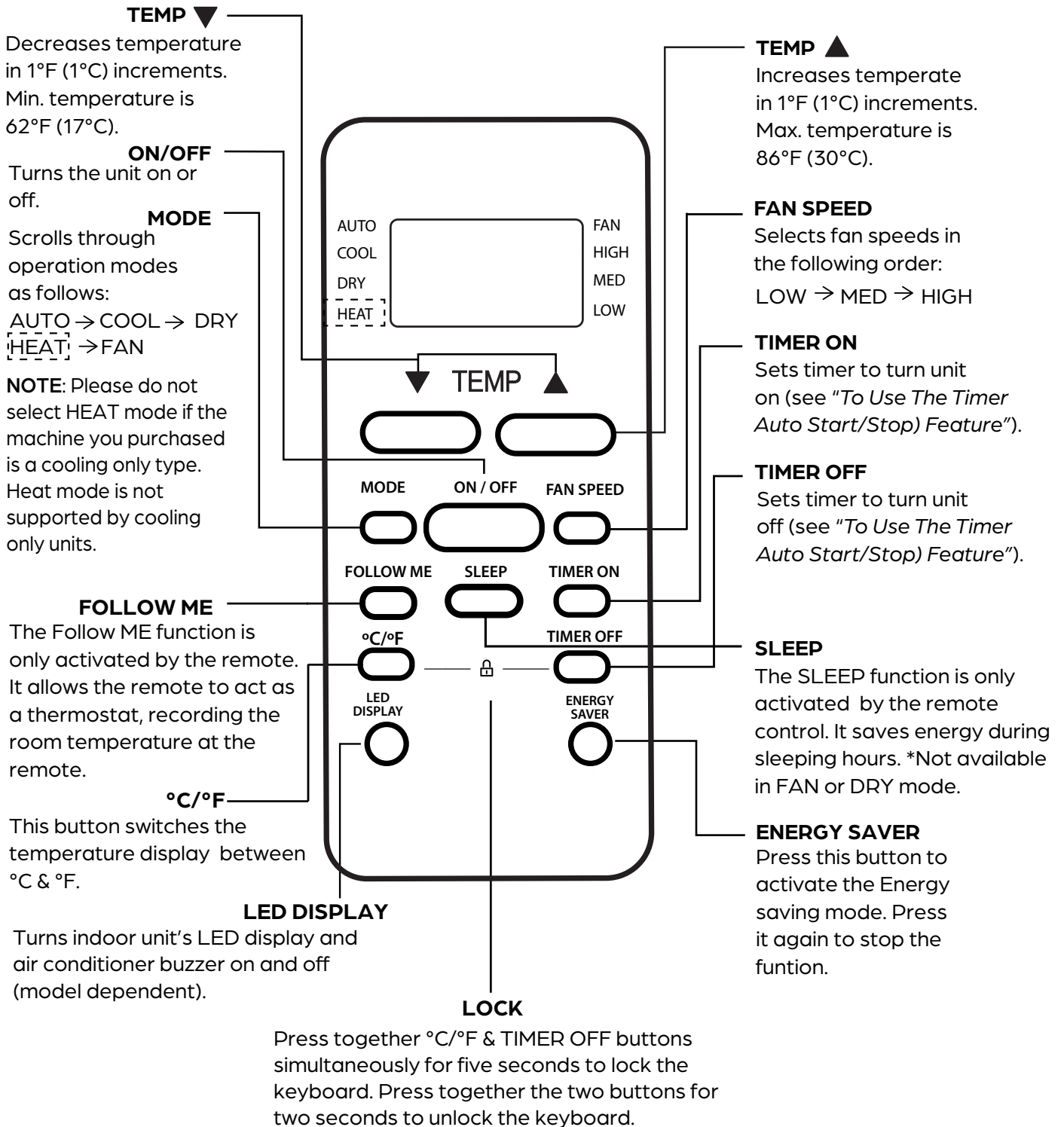
CS-Outdoor unit condenser sensor is faulty-Unplug the unit and plug it back in. If error repeats, call for service.

oS-Room temperature sensor error- Unplug the unit and plug it back in. If error repeats, call for service.

E3-The fan stall error-Unplug the unit and plug it back in. If error repeats, call for service.

E0-Failure of EEPROM parameter- Unplug the unit and plug it back in. If error repeats, call for service.

REMOTE CONTROL

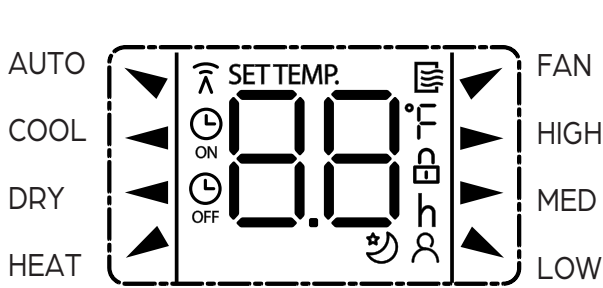


NOTE

- **FAN SPEED** on the remote only shows LOW → MED → HIGH. You can use the remote to set the Fan Speed to AUTO (after HIGH), but it will only show on the unit control panel.
- When the unit's **LED DISPLAY** is turned off, you can only make changes with the remote.
- The Follow Me feature can only be activated by the remote.

REMOTE DISPLAY

Information is displayed when the remote control is powered up.



Mode display

AUTO ▼ COOL ◀ DRY ◀
HEAT ▲ ◀ FAN

Displayed when data transmitted.
 Displayed when remote controller is ON.

Displayed when TIMER ON time is set
 Displayed when TIMER OFF time is set
 Shows set temperature or room temperature, or time under TIMER setting

Indicates all the current settings are locked

Displayed when Follow Me feature is activated (some units)

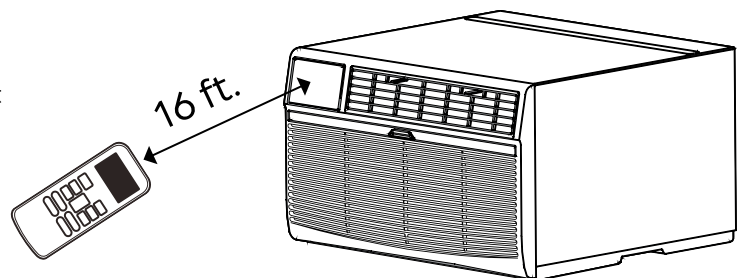
Displayed when SLEEP feature is activated

Fan speed indication

▶ HIGH High speed
▶ MED Medium speed
▶ LOW Low speed
NO display Auto fan speed

REMOTE OPERATION

- The remote control has an operating range of 16 ft from the appliance.
- The remote signal receiver/sensor is located on the control panel of the air conditioner.
- Reception of signal commands is confirmed by an audible beep.



NOTE

- Before operation, please ensure the unit is plugged in and power is available.
- Commands can be entered and will register on the remote, even when the air conditioner is turned off, as long as there is power to the unit.

TO TURN THE UNIT ON:

Press the ON/OFF Power Button to turn the unit on or off.

TO CHANGE THE TEMPERATURE:

Press the TEMP up and TEMP down buttons to change the temperature setting. Each press changes the temperature in 1°F or 1°C increments. The temperature range is between 62°F (17°C) and 86°F (30°C).

TO ADJUST FAN SPEEDS:

Press the Fan Speed Button to cycle through four steps– Auto, Low, Medium, or High. Each time the button is pressed the fan speed mode is shifted.

- For Dry mode, the fan speed is controlled at low automatically.
- For Auto mode, the fan speed cannot be set. It will start automatically at a speed calibrated to the actual room temperature.

TO SELECT OPERATING MODE:

To choose the operating mode, press the Mode Button. Each time you press the button, a mode is selected in a sequence that goes from Auto, Cool, Dry, Heat (not applicable for cooling-only models), to Fan.

AUTO MODE

When you set the unit to "Auto" mode, it will automatically select Cooling or Fan Only operation, depending on the temperature selected and the current room temperature. Fan Speed cannot be set in Auto mode.

1. Press the MODE button to select AUTO mode.
2. Set your desired temperature using the TEMP up and TEMP down buttons.

COOL MODE

1. Press the MODE button to select COOL mode.
2. Set your desired temperature using the TEMP up and TEMP down buttons.
3. Press the FAN button to select the fan speed: AUTO, LOW, MED or HIGH.

DRY MODE (DEHUMIDIFYING)

In this mode, the air conditioner will operate as a dehumidifier. Because the conditioned space is closed or sealed, some degree of cooling will continue to occur. Fan Speed cannot be changed in DRY mode.

1. Press the MODE button to select DRY mode.
2. Set your desired temperature using the TEMP up and TEMP down buttons.

HEAT MODE (COOLING-ONLY MODELS EXCLUDED)

1. Press the MODE button to select HEAT mode.
2. Set your desired temperature using the TEMP up and TEMP down buttons.
3. Press the FAN button to select the fan speed: AUTO, LOW, MED or HIGH.

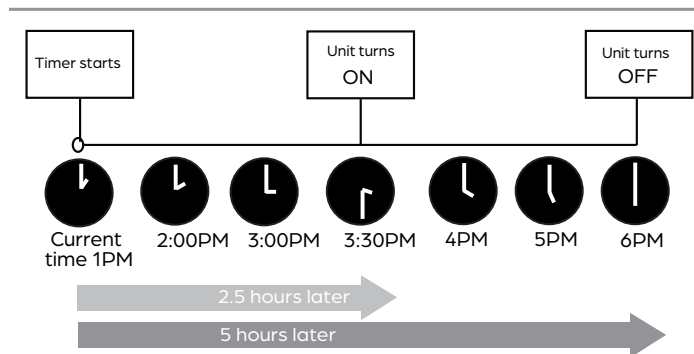
FAN ONLY MODE

Use this function only when cooling is not desired, such as for room circulation or to exhaust air (remember to open the vent). You can choose any speed you prefer. During this function, the display will show the actual room temperature, not a set temperature, as in the cooling mode. **In Fan Only mode, the temperature is not adjusted, and does not show on the LCD display.**

1. Press the MODE button to select FAN mode.
2. Press the FAN button to select the fan speed: AUTO, LOW, MED or HIGH.

TO USE THE TIMER ON/OFF FEATURE:

The TIMER ON/OFF feature is used to set the amount of time before the unit automatically turns on and the amount of time before the unit automatically turns off. **Keep in mind that the time periods for both functions refer to hours after the current time.**



Example: If the current time is 1:00PM, to set the timer to start at 3:30PM, enter 2.5h. To set the timer to stop at 6:00PM, enter 5h.

TO SET THE TIMER ON TIME:

1. Press the Timer On button to start the TIMER ON feature.
2. Press the TEMP up and TEMP down buttons to set the desired time for the unit to turn on.
3. Point the remote at the unit and wait one second. The TIMER ON feature will be activated.

NOTE



- When setting the TIMER ON or TIMER OFF, the time will increase by 30 minute increments with each press, up to 10 hours. After 10 hours and up to 24, it will increase in one hour increments. (For example, press 5 times to get 2.5h, and press 10 times to get 5h,) The timer will revert to 0.0 after 24.
- You can cancel either function by setting its timer to 0.0h.

TO SET THE TIMER OFF TIME:

1. Press the Timer Off button to start the TIMER OFF feature.
2. Press the TEMP up and TEMP down buttons to set the desired time for the unit to turn on.
3. Point the remote at the unit and wait one second. The TIMER OFF feature will be activated.

FOLLOW ME FEATURE

The Follow Me feature can only be activated by the remote control. When activated, the remote control serves as a remote thermostat, measuring the air temperature at the remote's location. To activate, point the remote at the AC unit and press the Follow Me button. The remote will then display the temperature at its location. To deactivate, press the Follow Me button again.

ADDITIONAL NOTES ON REMOTE OPERATIONS

To **replace batteries**, remove the back cover by pressing where indicated and sliding off the battery cover.

- Direct sunlight can interfere with the infrared signal.
- If the infrared receiver on the unit is exposed to direct sunlight, the unit may not function properly when operated by the remote control. Use the curtains to prevent sunlight from falling on the infrared receiver.
- Do not expose the remote control to direct sunlight or heat or allow any liquid to fall onto it as this could adversely impact its performance.
- The air conditioner will not operate if curtains, doors, or other materials block the signals from the remote control to the unit.
- If any other electrical appliances react to the remote control, move them away from your air conditioner.

REMOTE CONTROL : Statement Regarding FCC/IC Compliance (CAN ICES-003 (B)/NMB-003(B))

This device complies with part 15 of the FCC Rules/Innovation, Science and Economic Development Canada's ICES-003.

Operation subject to the following two conditions:

- (1) This device may not cause harmful interference, and
- (2) This device must accept any interference received, including interference that may cause undesired operation.

MODIFICATION: Any changes or modifications not expressly approved by the party responsible for compliance could void the user's authority to operate the equipment.

NOTE: This equipment has been tested and found to comply with the limits for a Class B digital device, pursuant to part 15 of the FCC Rules. These limits are designed to provide reasonable protection against harmful interference in a residential installation. This equipment generates, uses and can radiate radio frequency energy and, if not installed and used in accordance with the instructions, may cause harmful interference to radio communications. However, there is no guarantee that interference will not occur in a particular installation.

If this equipment does cause harmful interference to radio or television reception, which can be determined by turning the equipment off and on, the user is encouraged to try to correct the interference by one or more of the following measures:

- Reorient or relocate the receiving antenna.
- Increase the separation between the equipment and receiver.
- Connect the equipment into an outlet on a circuit different from that to which the receiver is connected.
- Consult the dealer or an experienced radio/TV technician for help.

Supplier's Declaration of Conformity**Per FCC Part 2 Section 2.1077**

Unique Identifier : RG57A6/BGEFU1/RG57A6/BGEFU1/RG51G4(1)/CEU1/RG51G(1)/EFU1
RG10A(D2S)/BGEFU1/RG10F2(D2)/BGEFU1/RG51G(1)/CEFU1
KJR-12B/DP(T)-F-1-04/KJR-120N(X6W)/BGEF

Responsible Party – U.S. Contact Information

Company name : Ferguson Enterprises LLC

Street Address : 751 Lakefront Commons

City, State : Newport News, VA

Postal Code : 23606

Telephone number or internet contact information : Durastar.com

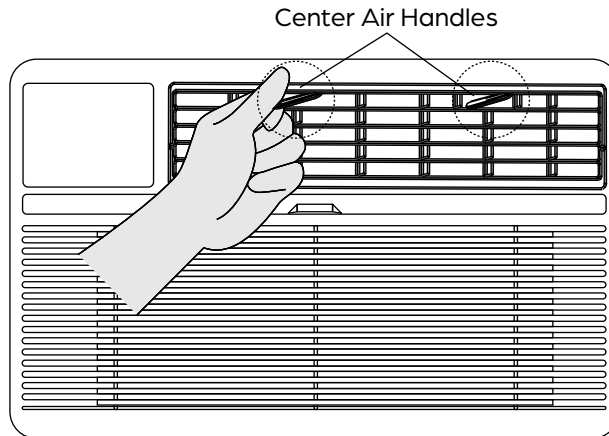
FCC Compliance Statement

This device complies with Part 15 of the FCC Rules. Operation is subject to the following two conditions: (1) This device may not cause harmful interference, and (2) this device must accept any interference received, including interference that may cause undesired operation.

AIR DIRECTIONAL LOUVERS

The 4-Way air directional louvers allow you to direct the air flow Up, Down, Left, or Right throughout the room as needed.

- To adjust the air directional louvers side to side, use the center handles as you move side to side.
- To adjust up and down, pivot the louvers by pressing with your fingers until the desired airflow direction is obtained.

**CAUTION**

Do not stick your fingers in the air outlet. It may cause an injury.

MAINTENANCE

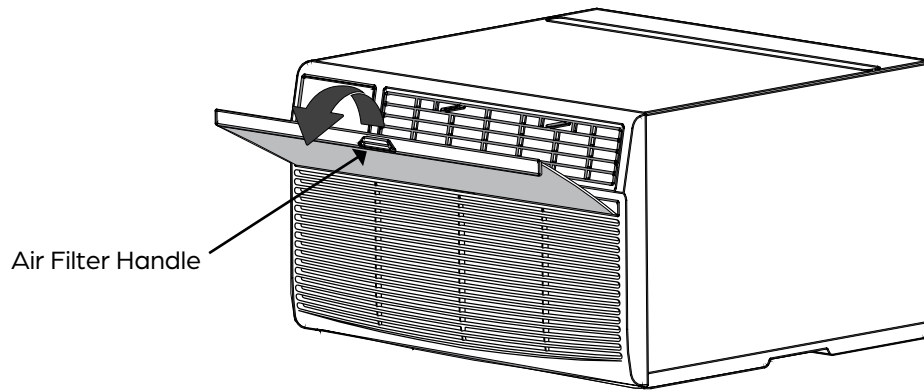
**WARNING**

Be sure to unplug the unit before cleaning, to prevent shock or fire hazards.

AIR FILTER CLEANING

The air filter should be checked at least once a month to see if cleaning is necessary. Trapped particles in the filter can build up, preventing proper air flow and potentially resulting in an accumulation of frost on the cooling coils. The air filter is located in a slot behind the Front Grille / Air Intake Panel.

1. Find the Air Filter handle, which is located at the top of the Front Grille.
2. Grasp the filter with both hands and pull upward and outward.
3. Wash the filter using liquid dishwashing detergent and warm water. Rinse the filter thoroughly.
4. Gently shake excess water from the filter.
5. Be sure the filter is thoroughly dry before replacing it.
6. You may also gently clean the filter with a vacuum.
7. Reinsert the Air Filter.

**CAUTION**

- Never use hot water over 104°F (40°C) to clean the air filter.
- Never attempt to operate the unit without the air filter.

CABINET CLEANING

- The cabinet and front may be dusted with an oil-free cloth or washed with a cloth dampened in a solution of warm water and mild liquid dishwashing detergent. Rinse thoroughly and wipe dry.
- Never use harsh cleaners, wax, or polish on the cabinet front.
- Be sure to wring excess water from the cloth before wiping around the controls. Excess water in or around the controls may cause damage to the air conditioner.

NORMAL SOUNDS

High Pitched Chatter – High efficiency compressors may have a high pitched chattering sound during the cooling cycle.

Sound of Rushing Air – At the front of the unit, you may hear the sound of rushing air being moved by the fan.

Gurgle/Hiss – Gurgling or hissing noises may be caused by refrigerant passing through the evaporator during normal operation.

Vibration – The unit may vibrate and make noise because of poor wall or window construction or incorrect installation.

Pinging or Switching – Droplets of water hitting the condenser during normal operation may cause these sounds.

ENERGY SAVING GUIDE

Read and follow the guide below to get the best performance and efficiency from your air conditioner:

- Do not cover the air outlet (exhaust) while in use.
- Use the timer to operate the unit before it is needed. For example, set the timer to turn the unit on in cooling mode for three or more hours to cool the room before you arrive. You may want to operate the unit all day, if you live in a warmer climate.
- Minimize the heat sources (direct sunlight, computers, servers, people, etc.) in the room.
- Close all windows and doors.
- Use the unit in a contained room. For example, a room with four walls and a ceiling, instead of a partitioned studio or warehouse.
- Make sure the unit is secure and has no gaps where air can escape.
- Minimize the amount of humidity in the room. For example, run the unit as a dehumidifier.
- To prolong the compressor's life, please wait at least three minutes before turning the unit back on after shutting it off.
- Inspect and clean the air filters regularly.
- Perform routine maintenance.

TROUBLESHOOTING

Follow this troubleshooting guide to resolve common problems.

PROBLEM	POSSIBLE CAUSES	SOLUTION
Air Conditioner is not working	The wall plug is disconnected.	Make sure the unit is plugged in.
	The LCDI power cord is tripped.	Press the reset button on the LCDI cord.
	The house fuse is blown or the circuit breaker is tripped.	Replace the fuse with a time delay type or reset the circuit breaker.
	The control panel power button is off.	Turn the control panel power button ON and set it to your desired setting.
The air from the unit does not feel cold enough.	The temperature is not set low enough.	Set to a lower temperature.
	The room temperature is below 62°F (17°C).	Cooling may not occur until the room temperature rises above 62°F (17°C).
	The temperature sensing element is touching the cold coil, located behind the air filter.	Straighten the tube away from the coil.
	The compressor is shut-off by changing modes.	Wait approximately three minutes and listen for the compressor to restart, when it is set in the COOL mode.
The unit is not cooling properly and ice is forming on the cooling coil behind the decorative front.	The outdoor temperature is below 64°F (18°C).	To defrost the coil, set the unit to FAN ONLY mode.
	The air filter may be dirty.	Clean the filter. Refer to the maintenance section. To defrost set the unit to FAN ONLY mode.
	The thermostat is set too cold for night time cooling.	To defrost the coil, set the unit to FAN ONLY mode. Then, set the temperature to a higher setting.
The unit is not cooling properly and NO ice is forming on the cooling coil behind the decorative front.	The air filter is dirty and the air is restricted.	Clean the air filter. Refer to the maintenance section.
	The temperature is set too high.	Set the temperature to a lower setting.
	The air directional louvers are positioned improperly.	Position the louvers for better air distribution.
	The front of the unit is blocked by drapes, blinds, furniture, or other objects that restrict air distribution.	Clear any blockage in front of the unit.
	There are open doors, windows, etc.	When entrances are open, cold air escapes. Close doors, windows, etc.
	The unit was recently turned on in a hot room.	Allow additional time to remove "stored heat" from the walls, ceiling, floor, and furniture.
The air conditioner turns on and off rapidly.	The air filter is dirty and the air is restricted.	Clean the air filter.
	The outside temperature is extremely hot.	Set the FAN speed to a higher setting to bring air past the cooling coils more frequently.
There is noise when the unit is cooling.	Some air movement sound is normal.	If the unit is too loud, set it to a slower FAN setting.

PROBLEM	POSSIBLE CAUSES	SOLUTION
There is water dripping INSIDE when the unit is cooling.	The unit was improperly installed.	Tilt the air conditioner slightly to the outside to allow water drainage.
There is water dripping OUTSIDE when the unit is cooling.	The unit is removing a large quantity of moisture from a humid room.	This is normal during excessively humid days.
The remote is not sensing.	The remote control is not located within range of the unit.	Place the remote control within 16 feet and a 180 degrees radius of the front of the unit.
	The remote control signal is obstructed.	Remove the obstruction.
The room is too cold.	The temperature is set too low.	Increase the set temperature.

DURASTAR WARRANTY

Full Two-Year Parts and Labor

This product is warranted by Durastar and is subject to any conditions set forth as follows:

WHAT IS COVERED:

For a period of TWO YEARS from the date of original retail purchase, Durastar will repair or replace any part free of charge, including labor, that fails due to a defect in materials or workmanship. Labor will be performed free of charge at an authorized Durastar repair facility and Durastar will supply new, rebuilt, or refurbished parts free of charge.

Durastar may request a defective part be returned in exchange for the replacement part. All replacement parts or products will be new, remanufactured, or refurbished. All products and parts replaced by Durastar under warranty service become the property of Durastar. After the 24 month period, Durastar will no longer be responsible for labor charges incurred or replacement parts. All defective products and parts covered by this warranty will be repaired or replaced on a mail-in basis to an Durastar authorized repair facility.

This warranty applies to the original purchaser only, and only covers defects in workmanship experienced during operation of the product under normal service, maintenance, and usage conditions. This warranty applies to the purchase and use of this product in residential settings within the contiguous United States of America.

EXCEPTIONS: COMMERCIAL OR RENTAL USE WARRANTY

90 days labor and parts from date of original purchase. No other warranty applies.

WHAT IS NOT COVERED – The following limitations apply to the coverage of this warranty. This warranty does not cover:

- Labor charges for installation, setup, or training to use the product.
- Shipping damage, and any damage caused by improper packaging for shipment to an authorized service center, and any damaged caused by improper voltage or any other misuse, including abnormal service, handling, or usage.
- Cosmetic damage such as scratches and dents.
- Normal wear and tear on parts or replacement of parts designed to be replaced, e.g. filters, cartridges, batteries.
- Service trips to deliver, pick-up, or repair; install the product; or to instruct in proper usage of the product.
- Damages or operating problems resulting from misuse, abuse, operation outside environmental specifications, uses contrary to instructions provided in the owner's manual, accidents, acts of God, vermin, fire, flood, improper installation, unauthorized service, maintenance negligence, unauthorized installation or modification, or commercial use.
- Labor, service, transportation, and shipping charges for the removal and replacement of defective parts, beyond the initial 24 month period.
- Products that have been modified to perform outside of specifications without the prior written permission of Durastar.
- Products lost in shipment, or theft.
- Products sold AS IS or from an unauthorized reseller.
- Products with serial numbers that have been removed, defaced, or invalidated.
- Damage from other than normal use.
- Replacement or repair of household fuses, circuit breakers, wiring, or plumbing.
- Damage to personal property from use of product.
- Damage from service other than from an authorized Durastar repair facility.
- Hoses, knobs, lint trays and all attachments, accessories, and disposable parts.
- Any service charges not specifically identified as normal such as normal service area or hours.
- Any special or consequential damages arising out of the use of the product.

OBTAINING WARRANTY SERVICE:

If you believe your product is defective, contact Durastar Customer Support for troubleshooting assistance and warranty service at www.Durastar.com or call 1-866-319-5473. Before contacting Customer Support you are required to have your model number, serial number, and proof of purchase available upon request. Once a Durastar authorized representative has confirmed that your product is defective and eligible for warranty service, the product must be returned to a Durastar authorized repair facility. Durastar is not responsible for damage resulting from shipper mishandling or improper packaging. Do not return a defective product to the place of purchase. Products received without a return authorization number will be refused.

THIS WARRANTY IS IN LIEU OF ANY OTHER WARRANTY, EXPRESS OR IMPLIED, INCLUDING WITHOUT LIMITATION, ANY WARRANTY OF MERCHANTABILITY OR FITNESS FOR A PARTICULAR PURPOSE. TO THE EXTENT ANY IMPLIED WARRANTY IS REQUIRED BY LAW, IT IS LIMITED IN DURATION TO THE EXPRESS WARRANTY PERIOD ABOVE. NEITHER THE MANUFACTURER NOR ITS DISTRIBUTORS SHALL BE LIABLE FOR ANY INCIDENTAL, CONSEQUENTIAL, INDIRECT, SPECIAL, OR PUNITIVE DAMAGES OF ANY NATURE, INCLUDING WITHOUT LIMITATION, LOST REVENUES OR PROFITS, OR ANY OTHER DAMAGE WHETHER BASED IN CONTRACT, TORT, OR OTHERWISE. IN NO EVENT AND UNDER NO CIRCUMSTANCE OF ANY TYPE OR KIND SHALL THE SELLER, MANUFACTURER, AND/OR DISTRIBUTOR BE LIABLE FOR ANY REASON, UNDER ANY THEORY, FOR MORE THAN THE BASIC COST OF THE PRODUCT TO THE PURCHASER OR END USER. SOME STATES DO NOT ALLOW THE EXCLUSION OF INCIDENTAL OR CONSEQUENTIAL DAMAGES, SO THE ABOVE EXCLUSION MAY NOT APPLY TO YOU. THIS WARRANTY GIVES YOU SPECIFIC LEGAL RIGHTS. YOU MAY HAVE OTHER RIGHTS THAT VARY FROM STATE TO STATE.

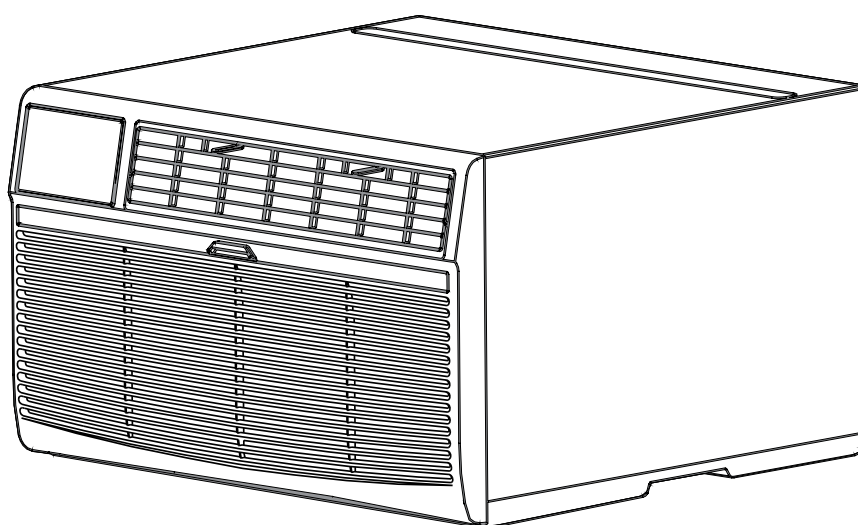
THIS PAGE INTENTIONALLY LEFT BLANK.

MANUEL DU PROPRIÉTAIRE ET D'INSTALLATION

Climatiseur Mural R32

115V 60HZ – DRTHC081XNA1, DRTAC081XNA1
DRTAC101XNA1, DRTAC121XNA1

208/230V 60HZ – DRTHC102XNA1, DRTAC102XNA1
DRTHC122XNA1, DRTAC122XNA1
DRTHC142XNA1, DRTAC142XNA1



Numéro de modèle :

Numéro de série :

Date d'achat :

Nom de l'entreprise de l'entrepreneur chargé de l'installation :



CONSEIL

Notez les informations pertinentes sur l'équipement Durastar AC avant son installation et les écrire ci-dessus pour référence future.

TABLE DES MATIÈRES

l'INTRODUCTION	39
AVERTISSEMENTS	39
IMPORTANT MANIPULATION SÉCURITAIRE R32	40
TEMPÉRATURES DE FONCTIONNEMENT	47
SPECIFICATIONS	48
ACCESSOIRES.....	49
OUTILS REQUIS.....	50
NOMS DES PIÈCES	50
DIMENSIONS DES PIÈCES.....	51
APERÇU DE L'INSTALLATION	51
ÉTAPES DE PRÉINSTALLATION.....	51
PRÉPARER LE MANCHON MURAL ET LE FIL DE TERRE.....	51
INSTALLATION DE LA GRILLE EN ALUMINIUM.....	53
ATTACHER LES JOINTS D'ÉTANCHÉITÉ AU MANCHON MURAL.....	56
ÉTAPES D'INSTALLATION	58
FIXER LES PIÈCES DU CADRE AVANT	58
INSÉRER LE JOINT D'ÉTANCHÉITÉ PRINCIPAL (N° 9).....	58
INSÉRER LE CLIMATISEUR DANS LE MANCHON MURAL.....	59
PANNEAU DE CONTRÔLE	60
AFFICHAGE NUMÉRIQUE	62
CODES D'ERREUR	62
TÉLÉCOMMANDE.....	63
ÉCRAN DE LA TÉLÉCOMMANDE.....	64
FONCTIONNEMENT DE LA TÉLÉCOMMANDE.....	64
AÉRATEURS DIRECTIONNELS D'AIR	68
ENTRETIEN.....	68
NETTOYAGE DU FILTRE À AIR	68
NETTOYAGE DU BOITIER	69
SONS NORMAUX.....	69
GUIDE D'ÉCONOMIE D'ÉNERGIE.....	69
DÉPANNAGE.....	70
GARANTIE DURASTAR.....	72

L'INTRODUCTION

Afin de mieux vous servir, veuillez procéder comme suit avant de contacter le service client :

- Si vous avez reçu un produit endommagé, contactez immédiatement le détaillant ou le revendeur qui vous a vendu le produit.
- Lisez et suivez attentivement ce manuel du propriétaire pour vous aider à utiliser et à entretenir votre climatiseur.
- Lisez la section de dépannage de ce manuel car elle vous aidera à diagnostiquer et à résoudre les problèmes courants.
- Visitez-nous sur le Web à l'adresse www.durastar.com pour télécharger des guides de produits et des informations à jour.
- Si vous avez besoin d'un service de garantie, nos sympathiques représentants du service client sont disponibles par e-mail à service@care.durastar.com ou par téléphone au 1-888-320-0706.

AVERTISSEMENTS

SYMBOLES UTILISÉS DANS CE MANUEL



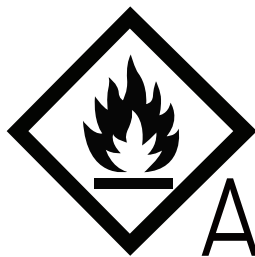
Le symbole d'avertissement indique des informations de mise en garde destinées à l'utilisateur. Des précautions supplémentaires doivent être prises pour assurer la sécurité de l'utilisateur.



Le crayon indique toutes les notes du fabricant relatives au contenu environnant. Ceux-ci peuvent inclure des clarifications supplémentaires ou des appels.



Un symbole d'ampoule indique les conseils du fabricant suggérés à l'utilisateur pour tirer le meilleur parti de l'équipement Durastar et offrir la meilleure expérience utilisateur.



MISE EN GARDE :
Risque d'incendie
matériaux inflammables

REMARQUE IMPORTANTE : Lisez attentivement ce manuel avant d'installer ou d'utiliser votre nouvel appareil. Assurez-vous de conserver ce manuel pour référence future.

	MISE EN GARDE	Ce symbole indique que le manuel d'utilisation doit être lu attentivement.
	MISE EN GARDE	Ce symbole indique qu'un personnel de service devrait manipuler cet équipement avec référence au manuel d'installation.
	MISE EN GARDE	Ce symbole indique que des renseignements sont disponibles, comme le manuel d'utilisation ou manuel d'installation.

AVERTISSEMENTS

- L'entretien ne doit être effectué que selon les recommandations du fabricant de l'équipement. L'entretien et les réparations nécessitant l'assistance d'autre personnel qualifié doivent être effectués sous la supervision d'une personne compétente dans l'utilisation de réfrigérants inflammables.
- NE modifiez PAS la longueur du cordon d'alimentation et n'utilisez pas de rallonge pour alimenter l'appareil.
- NE partagez PAS une seule prise avec d'autres appareils électriques. Une alimentation électrique incorrecte peut provoquer un incendie ou un choc électrique.
- Veuillez suivre attentivement les instructions pour manipuler, installer, nettoyer et entretenir le climatiseur afin d'éviter tout dommage ou danger. Le réfrigérant inflammable R32 est utilisé dans le climatiseur.
- Lors de l'entretien ou de la mise au rebut du climatiseur, le réfrigérant (R32) doit être récupéré correctement. Ne pas rejeter directement dans l'air.
- Le respect des réglementations nationales sur le gaz doit être respecté.
- Gardez les ouvertures de ventilation dégagées de toute obstruction.
- L'appareil doit être entreposé de manière à éviter tout dommage mécanique.
- L'appareil doit être entreposé dans un endroit bien ventilé où la taille de la pièce correspond à la surface de la pièce spécifiée pour le fonctionnement.
- Toute personne impliquée dans des travaux ou une intrusion dans un circuit de réfrigérant doit détenir un certificat en cours de validité délivré par une autorité d'évaluation accréditée par l'industrie, qui autorise sa compétence à manipuler des réfrigérants en toute sécurité conformément à une spécification d'évaluation reconnue par l'industrie. Toute formation doit suivre les exigences de l'ANNEXE HH de l'UL 60335-2-40 4e édition.
- Voici des exemples de telles procédures de travail :
 - pénétrer dans le circuit de réfrigération ;
 - ouverture des composants scellés ;
 - ouverture d'enceintes ventilées.
- Aucun feu ouvert ou interrupteur de type appareil susceptible de générer des étincelles/arcs ne doit se trouver autour du climatiseur pour éviter de provoquer l'inflammation du réfrigérant inflammable utilisé. Veuillez suivre attentivement les instructions pour entreposé ou entretenir le climatiseur afin d'éviter tout dommage mécanique.
- N'utilisez pas de moyens pour accélérer le processus de dégivrage ou pour nettoyer, autres que ceux recommandés par le fabricant.
- L'unité doit être entreposé dans une pièce sans sources d'inflammation fonctionnant en permanence (par exemple : flammes nues, appareil à gaz en fonctionnement) et sans sources d'inflammation ou (par exemple : un radiateur électrique en fonctionnement) à proximité de l'unité.
- Ne pas percer ni brûler.
- Sachez que les réfrigérants peuvent ne pas avoir d'odeur.

TRANSPORT D'ÉQUIPEMENTS CONTENANT DES RÉFRIGÉRANTS INFLAMMABLES

Voir les réglementations des transports.

MARQUAGE DES ÉQUIPEMENTS À L'AIDE D'ENSEIGNES

Voir les réglementations locales.

ÉLIMINATION D'ÉQUIPEMENTS UTILISANT DES RÉFRIGÉRANTS INFLAMMABLES

Voir les réglementations nationales.

ENTREPOSAGE DES ÉQUIPEMENTS/APPAREILS

Le stockage de l'appareil doit être conforme aux réglementations ou instructions applicables, selon la plus stricte.

ENTREPOSAGE DU MATÉRIEL EMBALLÉ (INVENDU)

La protection de l'emballage d'entreposage doit être construite de telle sorte que les dommages mécaniques causés à l'équipement à l'intérieur de l'emballage ne provoquent pas de fuite de la charge de réfrigérant. Le nombre maximum de pièces d'équipement autorisées à être entreposées ensemble sera déterminé par les réglementations locales.

INFORMATIONS SUR L'ENTRETIEN

1. VÉRIFICATION DU SITE

Avant de commencer à travailler sur des systèmes contenant des réfrigérants inflammables, des contrôles de sécurité sont nécessaires pour garantir que le risque d'inflammation est minimisé. Pour la réparation du système de réfrigération, les précautions suivantes doivent être respectées avant d'effectuer des travaux sur le système.

2. PROCÉDURE DE TRAVAIL

Les travaux doivent être entrepris selon une procédure contrôlée afin de minimiser le risque de présence de gaz ou de vapeurs inflammables pendant l'exécution des travaux.

3. SITE DE TRAVAIL GÉNÉRAL

Tout le personnel d'entretien et toute autre personne travaillant du site local doivent être informés de la nature des travaux à effectuer. Les travaux dans des espaces confinés doivent être évités. La zone autour de l'espace de travail doit être délimitée. Assurez-vous que les conditions du site ont été rendues sécuritaires grâce au contrôle des matériaux inflammables.

4. VÉRIFICATION DE PRÉSENCE DE RÉFRIGÉRANT

Le site doit être vérifié avec un détecteur de réfrigération approprié avant et pendant les travaux, pour garantir que le technicien est conscient des atmosphères potentiellement inflammables. Ensure that the leak Assurez-vous que l'équipement de détection de fuite utilisé est adapté à une utilisation avec des réfrigérants inflammables, c'est-à-dire sans étincelles, correctement scellé ou intrinsèquement sécuritaire.

5. PRÉSENCE D'EXTINCTEUR D'INCENDIE

Si des travaux à chaud doivent être effectués sur l'équipement de réfrigération ou sur toute pièce associée, un équipement d'extinction d'incendie approprié doit être disponible. Placez un extincteur à poudre sèche ou à CO₂ à proximité de la zone de chargement.

6. AUCUNE SOURCE D'INFLAMMATION

Aucune personne effectuant des travaux relatifs à un système de réfrigération impliquant l'exposition de canalisations contenant ou ayant contenu un réfrigérant inflammable ne doit utiliser des sources d'inflammation de telle manière que cela puisse entraîner un risque d'incendie ou d'explosion. Toutes les sources d'inflammation possibles, y compris la fumée de cigarette, doivent être éloignées du site d'installation, de réparation, de retrait et d'élimination, au cours desquels du réfrigérant inflammable peut éventuellement être libéré dans l'espace environnant. Avant le début des travaux, la zone autour de l'équipement doit être inspectée pour s'assurer qu'il n'y a aucun risque d'inflammabilité ou de risque d'inflammation. Des panneaux interdisant de fumer doivent être affichés.

7. ZONE VENTILÉE

Assurez-vous que la zone est à l'air libre ou qu'elle est correctement ventilée avant de pénétrer dans le système ou d'effectuer tout travail à chaud. Un certain degré de ventilation doit être maintenu pendant la durée des travaux. is carried out. La ventilation doit disperser en toute sécurité tout réfrigérant libéré et, de préférence, l'expulser vers l'extérieur dans l'atmosphère.

8. VÉRIFICATION DE L'ÉQUIPEMENT RÉFRIGÉRANT

Lorsque des composants électriques sont modifiés, ils doivent être adaptés à l'usage prévu et conformes aux spécifications correctes. À tout moment, les directives d'entretien et de service du fabricant doivent être suivies. En cas de doute, consultez le service technique du fabricant pour obtenir de l'aide. Les contrôles suivants doivent être appliqués aux installations utilisant des réfrigérants inflammables :

- La charge réelle de réfrigérant dépend de la taille de la pièce dans laquelle les pièces contenant du réfrigérant sont installées ;
- Les machines et sorties de ventilation fonctionnent correctement et ne sont pas obstruées ;
- Si un circuit réfrigérant indirect est utilisé, le circuit secondaire doit être vérifié pour la présence de réfrigérant ;
- Le marquage de l'équipement continue d'être visible et lisible. Les marquages et panneaux illisibles doivent être corrigés ;
- Les tuyaux ou composants de réfrigération sont installés dans une position où il est peu probable qu'ils soient exposés à une substance susceptible de corroder les composants contenant du réfrigérant, à moins que les composants ne soient construits avec des matériaux intrinsèquement résistants à la corrosion ou soient convenablement protégés contre une telle corrosion.

9. VÉRIFICATION DES APPAREILS ÉLECTRIQUES

La réparation et l'entretien des composants électriques doivent inclure des contrôles de sécurité initiaux et des procédures d'inspection des composants. S'il existe un défaut susceptible de compromettre la sécurité, aucune alimentation électrique ne doit être connectée au circuit jusqu'à ce qu'il soit résolu de manière satisfaisante. Si le défaut ne peut pas être corrigé immédiatement mais qu'il est nécessaire de poursuivre le fonctionnement, une solution temporaire adéquate doit être utilisée. Cela doit être signalé au propriétaire de l'équipement afin que toutes les parties en soient informées.

Les vérifications de sécurité initiales doivent inclure :

- Que les condensateurs soient déchargés : cela doit être fait de manière sécuritaire pour éviter tout risque d'étincelle ;
- Qu'aucun composant électrique ni câblage sous tension ne soit exposé pendant le chargement, la récupération ou la purge du système ;
- Qu'il y a une continuité de liaison à la terre.



Remarque

L'utilisation de mastic silicone peut inhiber l'efficacité de certains types d'équipements de détection de fuites.

Les composants électriques scellés doivent être remplacés

LES COMPOSANTS INTRINSÈQUEMENT SÉCURITAIRES DOIVENT ÊTRE REMPLACÉS

CÂBLAGE

Vérifiez que le câblage ne sera pas soumis à l'usure, à la corrosion, à une pression excessive, à des vibrations, à des arêtes vives ou à tout autre effet environnemental défavorable. La vérification doit également prendre en compte les effets du vieillissement ou des vibrations continues provenant de sources telles que les compresseurs ou les ventilateurs.

DÉTECTION DE RÉFRIGÉRANT INFLAMMABLE

En aucun cas des sources potentielles d'inflammation ne doivent être utilisées lors de la recherche ou de la détection de fuites de réfrigérant. Une torche aux halogénures (ou tout autre détecteur utilisant une flamme nue) ne doit pas être utilisée. Les méthodes de détection de fuite suivantes sont jugées acceptables pour les systèmes contenant des réfrigérants inflammables.

Des détecteurs de fuites électroniques doivent être utilisés pour détecter les réfrigérants inflammables, mais la sensibilité peut ne pas être adéquate ou nécessiter un réétalonnage. (L'équipement de détection doit être calibré dans une zone sans réfrigérant). Assurez-vous que le détecteur n'est pas une source potentielle d'inflammation et qu'il est adapté au réfrigérant utilisé. L'équipement de détection de fuite doit être réglé à un pourcentage de la LIE du réfrigérant et doit être calibré en fonction du réfrigérant utilisé et le pourcentage approprié de gaz (25 % maximum) est confirmé.

Les liquides de détection de fuite conviennent à la plupart des réfrigérants, mais l'utilisation de détergents contenant du chlore doit être évitée car le chlore peut réagir avec le réfrigérant et corroder les canalisations en cuivre.

Si une fuite est suspectée, toutes les flammes nues doivent être enlevées/éteintes. Si une fuite de réfrigérant nécessitant un brasage est détectée, tout le réfrigérant doit être récupéré du système ou isolé (au moyen de vannes d'arrêt) dans une partie du système éloignée de la fuite. Le retrait du réfrigérant doit être effectué conformément aux instructions relatives au retrait et à l'évacuation.

RETRAIT ET ÉVACUATION

Lors de l'intrusion dans le circuit réfrigérant pour effectuer des réparations – ou à toute autre fin – des procédures conventionnelles doivent être utilisées. Toutefois, pour les réfrigérants inflammables, il est important de suivre

les meilleures pratiques, car l'inflammabilité est un facteur à prendre en compte. La procédure suivante doit être respectée :

- a) Retirer le réfrigérant en toute sécurité conformément aux réglementations locales et nationales.
- b) Évacuer.
- c) Purger le circuit avec du gaz inerte. (optionne pour A2L)
- d) Évacuer. (optionnel pour A2L)
- e) Rincer ou purger continuellement avec du gaz inerte lorsque vous utilisez une flamme pour ouvrir le circuit.
- f) Ouvrir le circuit.

La charge de réfrigérant doit être récupérée dans les cylindres de récupération appropriés si la ventilation n'est pas autorisée par les codes locaux et nationaux. Pour les appareils contenant des réfrigérants inflammables, le système doit être purgé avec de l'azote sans oxygène pour rendre l'appareil sécuritaire pour les réfrigérants inflammables. Ce processus devra peut-être être répété plusieurs fois.

L'air comprimé ou l'oxygène ne doivent pas être utilisés pour purger les systèmes réfrigérants. Pour les appareils contenant des réfrigérants inflammables, la purge des réfrigérants doit être réalisée en brisant le vide dans le système avec de l'azote sans oxygène et en continuant à remplir jusqu'à ce que la pression de service soit atteinte, puis en évacuant dans l'atmosphère et enfin en tirant vers le vide (facultatif pour A2L). Ce processus doit être répété jusqu'à ce qu'il n'y ait plus de réfrigérant dans le système (facultatif pour A2L). Lorsque la charge finale d'azote sans oxygène est utilisée, le système doit être purgé jusqu'à la pression atmosphérique pour permettre le travail. Assurez-vous que la sortie de la pompe à vide n'est pas proche de sources d'inflammation potentielles et qu'une ventilation est disponible.

PROCÉDURES DE CHARGEMENT

En plus des procédures de chargement conventionnelles, les exigences suivantes doivent être respectées.

- Assurez-vous qu'aucune contamination de différents réfrigérants ne se produit lors de l'utilisation d'un équipement de chargement.
- Les tuyaux ou conduites doivent être aussi courts que possible pour minimiser la quantité de réfrigérant qu'ils contiennent.
- Les bouteilles doivent être maintenues dans une position appropriée conformément aux instructions.
- Assurez-vous que le système de réfrigération est mis à la terre avant de charger le système avec du réfrigérant.
- Étiquetez le système une fois la charge terminée (si ce n'est déjà fait).
- Un soin extrême doit être pris pour ne pas trop remplir le système de réfrigération.
- Avant de recharger le système, celui-ci doit être testé sous pression avec de l'azote.
- Le système doit être soumis à un test d'étanchéité à la fin du chargement, mais avant la mise en service.
- Un test d'étanchéité de suivi doit être effectué avant de quitter le site.

DÉMANTÈLEMENT

Avant d'effectuer cette procédure, il est essentiel que le technicien connaisse parfaitement l'équipement et tous ses détails. Il est recommandé de récupérer tous les réfrigérants en toute sécurité. Avant l'exécution de la tâche, un échantillon d'huile et de réfrigérant doit être prélevé au cas où une analyse serait nécessaire avant la réutilisation du réfrigérant récupéré. Il est essentiel que l'alimentation électrique soit disponible avant le début de la tâche.

- Familiarisez-vous avec l'équipement et son fonctionnement.
- Isolez électriquement le système.
- Avant de tenter la procédure, assurez-vous que :
 - -Des équipements de manutention mécanique sont disponibles, si nécessaire, pour la manutention des bouteilles de réfrigérant.
 - -Tous les équipements de protection individuelle sont disponibles et utilisés correctement.
 - -Le processus de récupération est supervisé à tout moment par une personne compétente.
 - -Les équipements et bouteilles de récupération sont conformes aux normes appropriées.
- Pompez le système réfrigérant, si possible.
- Si le vide n'est pas possible, fabriquez un collecteur afin que le réfrigérant puisse être retiré des différentes parties du système.
- Assurez-vous que le cylindre est situé sur la balance avant la récupération.
- Démarrez la machine de récupération et faites fonctionner conformément aux instructions.
- Ne remplissez pas trop les bouteilles. (Pas plus de 80 % de charge liquide en volume).
- Ne dépassez pas la pression maximale de service du cylindre, même temporairement.
- Une fois les bouteilles correctement remplies et le processus terminé, assurez-vous que les bouteilles et

l'équipement sont rapidement retirés du site et que toutes les vannes d'isolement de l'équipement sont fermées.

- Le réfrigérant récupéré ne doit pas être chargé dans un autre système de réfrigération à moins qu'il n'ait été nettoyé et vérifié.

ÉTIQUETAGE

L'équipement doit être étiqueté indiquant qu'il a été mis hors service et vidé de son réfrigérant. L'étiquette doit être datée et signée.

Assurez-vous qu'il y a des étiquettes sur l'équipement indiquant que l'équipement contient un réfrigérant inflammable.

RÉCUPÉRATION

Lors du retrait du réfrigérant d'un système, que ce soit pour l'entretien ou la mise hors service, il est recommandé que tous les réfrigérants soient retirés en toute sécurité. Lors du transfert de réfrigérant dans des bouteilles, assurez-vous que seules des bouteilles de récupération de réfrigérant appropriées sont utilisées. Assurez-vous que le nombre correct de cylindres pour contenir la charge totale du système est disponible. Toutes les bouteilles à utiliser sont désignées pour le réfrigérant récupéré et étiquetées pour ce réfrigérant (c'est-à-dire des bouteilles spéciales pour la récupération du réfrigérant).

Les bouteilles doivent être équipées d'une vanne de surpression et des vannes d'arrêt associées en bon état de fonctionnement. Les bouteilles de récupération vides sont évacuées et, si possible, refroidies avant la récupération. L'équipement de récupération doit être en bon état de fonctionnement avec un ensemble d'instructions concernant l'équipement disponible et doit être adapté à la récupération des réfrigérants inflammables. De plus, un jeu de balances étalonnées doit être disponible et en bon état de fonctionnement. Les tuyaux doivent être complets avec des raccords de déconnexion sans fuite et en bon état.

Avant d'utiliser l'appareil de récupération, vérifiez qu'elle est en bon état de fonctionnement, qu'elle a été correctement entretenue et que tous les composants électriques associés sont scellés pour éviter toute inflammation en cas de dégagement de réfrigérant. Consultez le fabricant en cas de doute. Le réfrigérant récupéré doit être renvoyé au fournisseur de réfrigérant dans le cylindre de récupération approprié et la note de transfert de déchets correspondante doit être préparée.

Ne mélangez pas les fluides frigorigènes dans les unités de récupération et surtout pas dans les bouteilles.

Si des compresseurs ou des huiles de compresseur doivent être retirés, assurez-vous qu'ils ont été évacués à un niveau acceptable pour garantir qu'aucun réfrigérant inflammable ne reste dans le lubrifiant. Le processus d'évacuation doit être effectué avant le retour du compresseur aux fournisseurs. Seul le chauffage électrique du corps du compresseur doit être utilisé pour accélérer ce processus. Lorsque l'huile est vidangée d'un système, elle doit être effectuée en toute sécurité.

Les appareils non raccordés aux conduits et contenant des réfrigérants A2L avec les ouvertures d'alimentation et de reprise d'air dans l'espace conditionné peuvent avoir le corps de l'appareil installé dans des zones ouvertes telles que des faux plafonds qui ne sont pas utilisés comme plénums de reprise d'air, à condition que l'air conditionné ne communique directement avec l'air du faux plafond.



SÉCURITÉ GÉNÉRALE

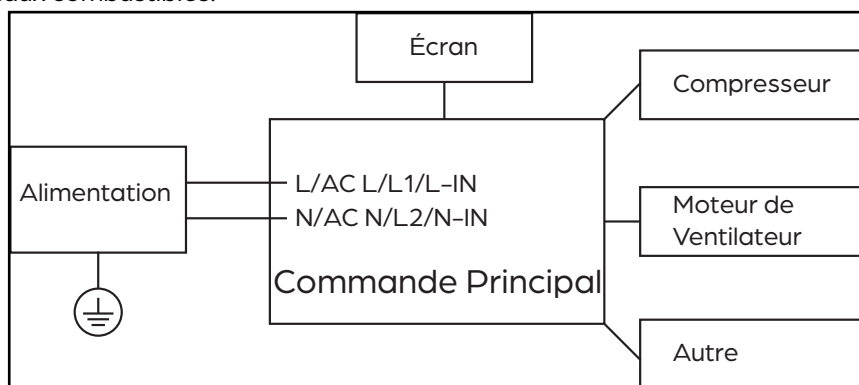
- Les enfants et les personnes ayant des capacités physiques, sensorielles ou mentales réduites, ou un manque d'expérience et de connaissances, ne doivent utiliser ce climatiseur que s'ils reçoivent une surveillance ou des instructions concernant l'utilisation du climatiseur en toute sécurité et comprennent les dangers encourus.
- Les enfants ne doivent pas jouer avec le climatiseur.
- Éteignez l'interrupteur principal lorsque vous n'utilisez pas l'appareil pendant une longue période ; le non-respect des instructions pourrait entraîner une panne du produit ou un incendie.
- Aérez la pièce avant de faire fonctionner le climatiseur, s'il y a une fuite de gaz provenant d'un autre appareil. Cela pourrait provoquer une explosion, un incendie et des brûlures.
- Bien aérer la pièce lorsqu'il est utilisé avec un poêle, etc. Un manque d'oxygène pourrait survenir.
- Ne vous asseyez pas ou ne vous tenez pas directement devant la sortie d'air froid pendant une période prolongée ; cela pourrait nuire à votre santé.
- Lorsque l'appareil doit être nettoyé, éteignez-le et coupez le disjoncteur.
- Ne nettoyez pas l'appareil lorsqu'il est sous tension car cela pourrait provoquer un incendie, un choc électrique ou des blessures.
- N'utilisez pas de détergent fort pour nettoyer l'appareil ; l'apparence de l'appareil peut être affectée ou rayée.
- Utilisez un chiffon doux pour nettoyer l'appareil.
- Ne nettoyez pas le climatiseur avec de l'eau ; l'eau peut pénétrer dans l'appareil et dégrader l'isolation ou provoquer un choc électrique.
- Lors du retrait du filtre à air, ne touchez pas les parties métalliques de l'appareil ; ils sont tranchants et pourraient provoquer des blessures.
- Faites toujours fonctionner l'appareil avec des filtres. Sans filtres, le climatiseur pourrait tomber en panne.
- Veuillez nettoyer le filtre toutes les deux semaines.
- Lors de la manipulation de l'appareil, veillez à éviter les coupures causées par les bords métalliques tranchants et les ailettes en aluminium des serpentins avant et arrière.
- N'utilisez pas cet appareil à d'autres fins que celles pour lesquelles il est destiné.
- N'utilisez pas ce climatiseur pour conserver des appareils de précision, de la nourriture, des animaux domestiques, des plantes et des objets d'art ; Cela pourrait entraîner une détérioration de la qualité, etc
- Ne placez pas d'obstacles autour des entrées d'air ou à l'intérieur de la sortie d'air ; Cela pourrait provoquer une panne de l'appareil.
- Ne buvez pas l'eau évacuée du climatiseur ; il contient des
- contaminants et pourrait vous rendre malade.
- Soyez prudent lors du déballage et de l'installation. Les bords tranchants pourraient provoquer des blessures.
- Arrêtez le fonctionnement et fermez les fenêtres en cas de tempête ou d'ouragan. Le fonctionnement avec les fenêtres ouvertes peut permettre à l'eau de pénétrer à l'intérieur.
- N'utilisez pas votre climatiseur dans une pièce humide telle qu'une salle de bain ou une salle de lavage.
- Gardez les armes à feu éloignées de l'appareil ; ils pourraient provoquer un incendie.
- Ne stockez pas et n'utilisez pas d'essence ou d'autres vapeurs et liquides inflammables à proximité de cet appareil ou de tout autre appareil.
- Ne faites pas fonctionner le climatiseur sans le couvercle de protection latéral en place. Cela pourrait entraîner des dommages mécaniques au sein du climatiseur.
- Assurez-vous que le support d'installation de l'appareil extérieur n'est pas endommagé en raison d'une exposition prolongée. Si le support est endommagé, il y a un risque de dommage dû à la chute de l'appareil.
- N'utilisez pas les aérateurs avec vos mains. Cela pourrait provoquer une blessure. Utilisez la languette de commande des aérateurs pour changer la direction de la ventilation.



SÉCURITÉ ÉLECTRIQUE

- Débranchez l'appareil si des bruits étranges, des odeurs ou de la fumée s'en dégagent ; le non-respect des instructions pourrait entraîner un choc électrique ou un incendie.
- Installez toujours un disjoncteur et un circuit d'alimentation dédié ; le non-respect des instructions pourrait entraîner un choc électrique ou un incendie.

- N'utilisez pas l'appareil avec les mains mouillées ou dans un environnement humide ; cela pourrait provoquer un choc électrique.
- Ne laissez pas l'eau couler dans les pièces électriques ; cela pourrait entraîner une panne de l'appareil.
- Si de l'eau pénètre dans l'appareil, éteignez l'appareil au niveau de la prise de courant et coupez le disjoncteur. Isolez l'alimentation en retirant la fiche d'alimentation. Contactez un technicien de service qualifié.
- N'ouvrez pas l'appareil pendant le fonctionnement ; cela pourrait provoquer un choc électrique.
- N'utilisez pas une prise électrique si elle est desserrée ou endommagée ; cela pourrait provoquer un incendie et un choc électrique.
- Ne démontez pas et ne modifiez pas l'appareil ; cela pourrait provoquer une panne et un choc électrique.
- Installez conformément aux réglementations nationales en matière de câblage et aux exigences NEC et CEC.
- Le câblage d'une maison en aluminium peut présenter des problèmes particuliers. Consultez un électricien qualifié.
- Les appareils équipés de radiateurs électriques doivent disposer d'un espace libre d'au moins trois pieds (un mètre) par rapport aux matériaux combustibles.

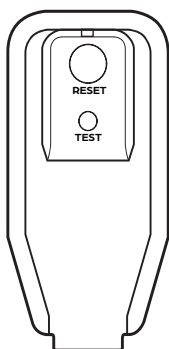


AVERTISSEMENT: Suivez strictement l'étiquette de câblage attachée à la machine pour toutes les connexions de câblage. Le schéma de câblage ci-dessus est une version simplifiée à des fins d'illustration préliminaire uniquement.



CORDON D'ALIMENTATION

Le cordon d'alimentation contient un dispositif de courant qui détecte les dommages sur le cordon d'alimentation. Pour tester votre cordon d'alimentation, procédez comme suit :



1. Appuyez sur le bouton RESET.
2. Branchez le climatiseur.
3. Appuyez sur le bouton TEST. Vous remarquerez un clic lorsque le bouton RESET (réinitialisation) ressort.
4. Appuyez sur le bouton RESET. Encore une fois, vous remarquerez un clic lorsque le bouton s'enclenche.
5. Le cordon d'alimentation alimente désormais l'appareil en électricité. (Sur certains produits, cela est également indiqué par un voyant sur la tête de la fiche).

N'UTILISEZ PAS LE CLIMATISEUR SI CE TEST ÉCHOUÉ.

- Ne faites pas fonctionner ou n'arrêtez pas l'appareil en insérant ou en retirant la fiche d'alimentation ; le non-respect des instructions pourrait entraîner un choc électrique ou un incendie.
- Assurez-vous toujours que le bouton RESET est enfoncé pour un fonctionnement correct.
- Le cordon d'alimentation doit être remplacé s'il ne parvient pas à se réinitialiser lorsque le bouton TEST est enfoncé ou s'il ne peut pas être réinitialisé. Un nouveau peut être obtenu auprès de Durastar.
- Si le cordon d'alimentation est endommagé, il ne peut pas être réparé. Il DOIT être remplacé par celui obtenu auprès de Durastar.
- Branchez correctement la fiche d'alimentation de l'appareil ; le non-respect des instructions pourrait entraîner un choc électrique ou un incendie.
- Tenez la fiche par la tête de la fiche d'alimentation lorsque vous la retirez ; le non-respect des instructions pourrait provoquer un choc électrique et des dommages.

- Assurez-vous que le cordon d'alimentation n'est pas comprimé ; le non-respect des instructions pourrait entraîner un choc électrique ou un incendie.
- Ne modifiez pas la longueur du cordon d'alimentation ; le non-respect des instructions pourrait entraîner un choc électrique ou un incendie.
- N'endommagez pas le cordon d'alimentation et n'utilisez pas un cordon d'alimentation ou une fiche d'adaptateur non spécifié ; le non-respect des instructions pourrait entraîner un choc électrique ou un incendie.
- N'utilisez pas le cordon d'alimentation à proximité d'appareils de chauffage ; le non-respect des instructions pourrait entraîner un choc électrique ou un incendie.
- N'utilisez pas le cordon d'alimentation à proximité de gaz inflammables ou de combustibles, tels que de l'essence, du benzène, du diluant, etc. ; cela pourrait provoquer une explosion ou un incendie.
- Ne partagez pas la prise électrique avec d'autres appareils ; le non-respect des instructions pourrait entraîner un choc électrique ou un incendie.
- ASSUREZ-VOUS QUE LE SERVICE ÉLECTRIQUE EST ADÉQUAT AU MODÈLE QUE VOUS AVEZ CHOISI. CETTE INFORMATION PEUT ÊTRE TROUVÉE SUR LA PLAQUE DE SÉRIE, QUI SE SITUE SUR LE CÔTÉ DU BOITIER ET DERRIÈRE LA GRILLE.
- Votre climatiseur doit être utilisé dans une prise murale correctement mise à la terre. Si la prise murale que vous avez l'intention d'utiliser n'est pas correctement mise à la terre ou protégée par un fusible temporisé ou un disjoncteur, demandez à un électricien qualifié d'installer la prise appropriée. Assurez-vous que la prise est accessible après l'installation de l'unité.
- Vérifiez toujours la bonne mise à la terre ; Une mise à la terre incorrecte pourrait provoquer un choc électrique. Le cordon d'alimentation est équipé d'une fiche de mise à la terre à trois broches pour une protection contre les risques d'électrocution.



AVERTISSEMENT

- N'utilisez pas de rallonge ou d'adaptateur.
- Ne coupez, retirez ou contournez en aucun cas les broches de mise à la terre de la fiche.

TEMPÉRATURES DE FONCTIONNEMENT

Votre climatiseur est conçu pour fonctionner aux températures intérieures et extérieures suivantes. Lorsque votre climatiseur est utilisé en dehors des plages de température suivantes, les performances peuvent être réduites.

PLAGES DE TEMPÉRATURE

	MODE REFROIDISSEMENT	MODE CHAUFFAGE
TEMPÉRATURE DE L'AIR INTÉRIEUR	17 °C - 32 °C (61 °F - 90 °F)	0 °C - 27 °C (32 °F - 80 °F)
OUTDOOR AIR TEMPERATURE	18 °C - 43 °C (64 °F - 109 °F)	-5 °C - 24 °C (23 °F - 76 °F)

POUR OPTIMISER DAVANTAGE LES PERFORMANCES DE VOTRE UNITÉ, PROCÉDEZ COMME SUIV :

- Gardez les portes et les fenêtres fermées.
- Limitez la consommation d'énergie en utilisant les fonctions TIMER ON (minuterie marche) et TIMER OFF (minuterie arrêt).
- Ne bloquez pas les entrées ou sorties d'air.
- Inspectez et nettoyez régulièrement les filtres à air.

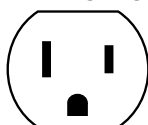
SPECIFICATIONS

MODÈLE	TENSION/ FRÉQUENCE	TYPE DE FICHE (NEMA)	BTU/H (REFROIDISSEMENT)	BTU/H (CHAUFFAGE)	COURANT (A) REFROIDISSEMENT (CHAUFFAGE)
DRTHC081XNA1	115V/60HZ	NEMA 6-15P	8 000	4 200	9,4; (12,0)
DRTHC102XNA1	208-230V/60HZ	NEMA 6-20P	10 000/ 9 800	10 600/ 8 600	5,4/6,0; (15,0/14,0)
DRTHC122XNA1	208-230V/60HZ	NEMA 6-20P	12 000/ 11 700	10 600/ 8 600	6,5/7,0; (15,0/14,0)
DRTHC142XNA1	208-230V/60HZ	NEMA 6-20P	14 000/ 13 600	10 600/ 8 600	7,9/8,5; (15,0/14,0)
DRTAC081XNA1	115V/60HZ	NEMA 5-15P	8 000	n/a	7,10
DRTAC101XNA1	115V/60HZ	NEMA 5-15P	10 000	n/a	8,70
DRTAC102XNA1	208-230V/60HZ	NEMA 6-15P	10 000	n/a	4,6/4,9
DRTAC121XNA1	115V/60HZ	NEMA 5-15P	12 000	n/a	11,00
DRTAC122XNA1	208-230V/60HZ	NEMA 6-15P	12 000	n/a	5,2/5,6
DRTAC142XNA1	208-230V/60HZ	NEMA 6-15P	14 000/ 13 600	n/a	7,0/7,7

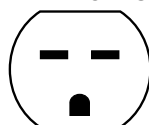
MODÈLE	RÉFRIGÉRANT	POIDS NET	DIMENSIONS (L X P X H)
DRTHC081XNA1	R32	67 LBS	24-1/4 po x 20-1/4 po x 14-1/2 po
DRTHC102XNA1	R32	68 lbs	24-1/4 po x 20-1/4 po x 14-1/2 po
DRTHC122XNA1	R32	75 LBS	24-1/4 po x 20-1/4 po x 14-1/2 po
DRTHC142XNA1	R32	77 LBS	24-1/4 po x 20-1/4 po x 14-1/2 po
DRTAC081XNA1	R32	63 LBS	24-1/4 po x 20-1/4 po x 14-1/2 po
DRTAC101XNA1	R32	67 LBS	24-1/4 po x 20-1/4 po x 14-1/2 po
DRTAC102XNA1	R32	67 LBS	24-1/4 po x 20-1/4 po x 14-1/2 po
DRTAC121XNA1	R32	73 LBS	24-1/4 po x 20-1/4 po x 14-1/2 po
DRTAC122XNA1	R32	73 LBS	24-1/4 po x 20-1/4 po x 14-1/2 po
DRTAC142XNA1	R32	75 LBS	24-1/4 po x 20-1/4 po x 14-1/2 po

TYPES DE PRISE

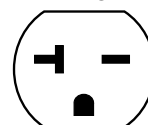
NEMA 5-15P



NEMA 6-15P



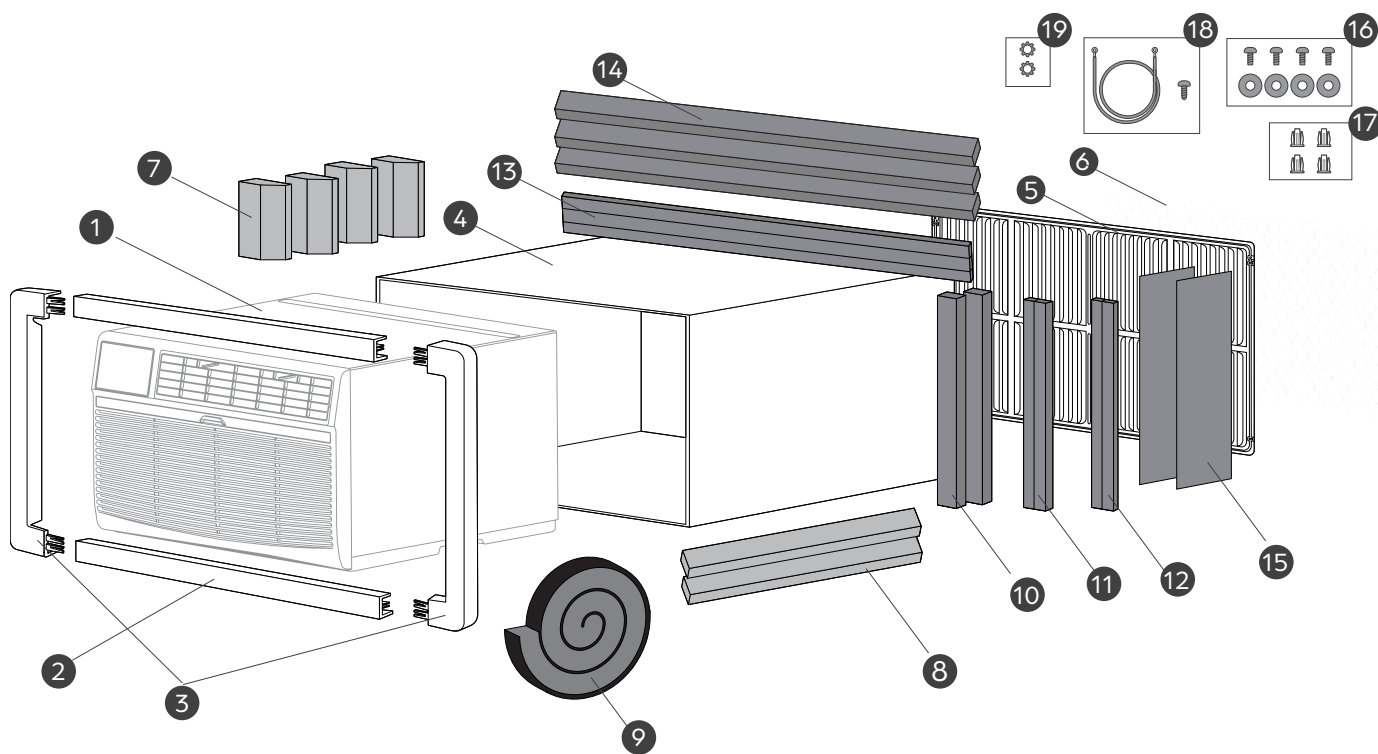
NEMA 6-20P



ACCESSOIRES

ACCESSOIRES D'INSTALLATION INCLUS

Le système de climatisation est livré avec les accessoires suivants.



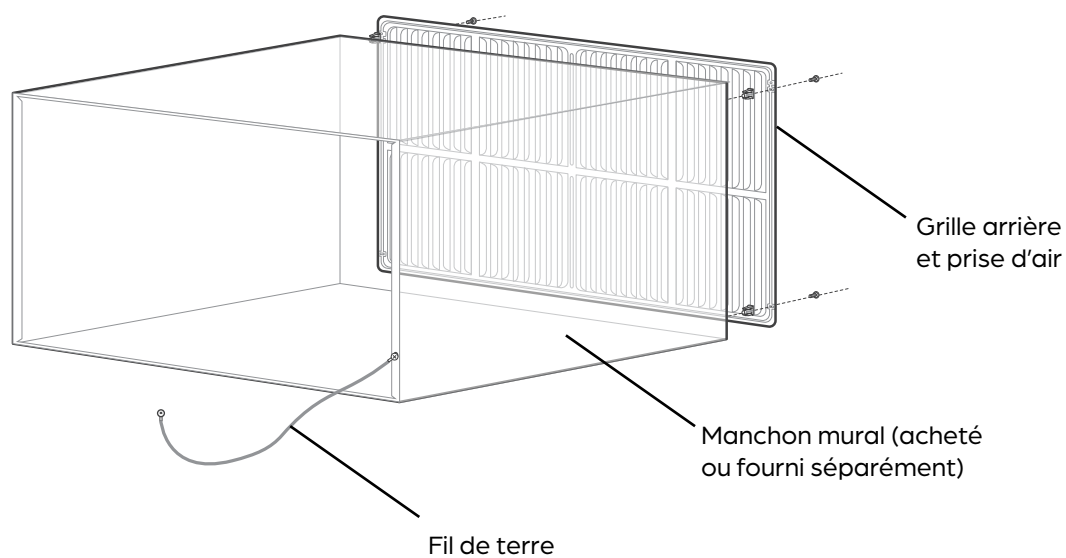
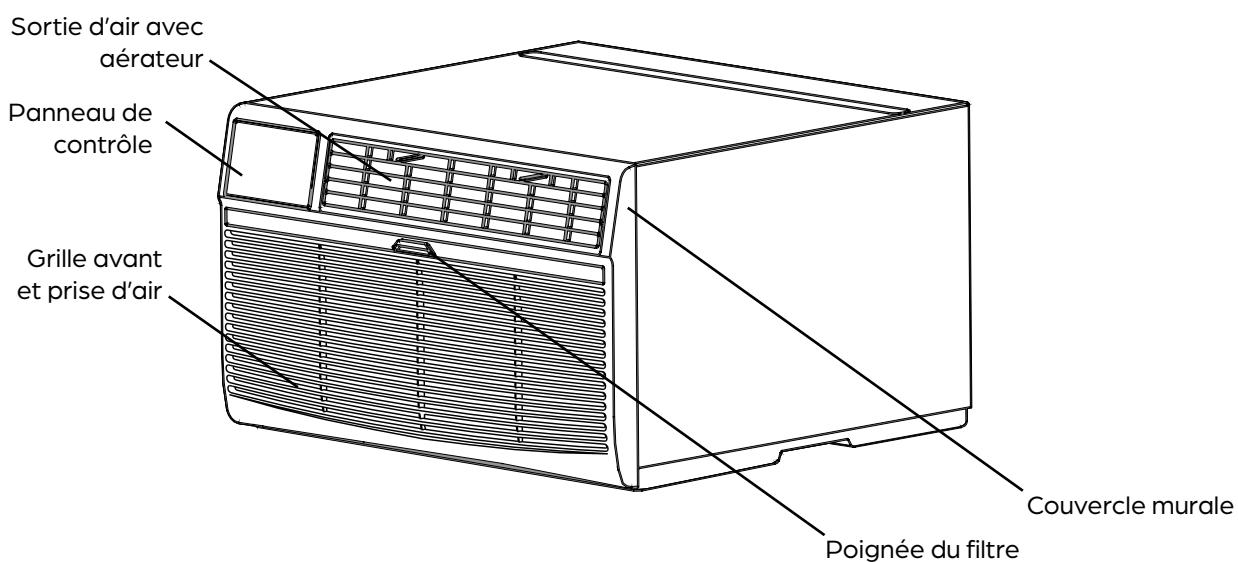
N°	ACCESSOIRE	QUANTITÉ
1	Climatiseur	1
2	Cadre de garniture (pieds supérieurs et inférieurs)	2
3	Cadre de garniture (pieds latéraux)	2
4	Manchon mural (à acheter séparément)	1
5	Grille en aluminium	1
6	Grille en plastique (1/8 po X 4-1/2 po X 14-1/2 po)	1
7	Blocs de centrage/support (bleu) (4-1/2 po X 3-1/2 po X 1-1/2 po)	4
8	Bloc d'espacement conique (bleu) (7/8 po X 1-1/8 po X 17 po)	2
9	Joint de remplissage (1 po X 1-1/2 po X 84 po)	1
10	Joint d'étanchéité (1 po X 1-1/2 po X 14 po)	2
11	Joint d'étanchéité (1 po X 3/4 po X 14 po)	2
12	Joint d'étanchéité (1 po X 3/8 po X 14 po)	2
13	Joint d'étanchéité (1 po X 3/8 po X 24-1/2 po)	3
14	Joint d'étanchéité (1 po X 1-1/2 po X 24-1/2 po)	3
15	Diviseur en plastique*2 (1/8 po X 4-1/2 po X 14-1/2 po)	2
16	Vis et rondelle à vis	4
17	Écrous (plastique)	4
18	Fil de terre et vis de mise à la terre	1
19	Rondelle dentée pour vis de mise à la terre	2

OUTILS REQUIS

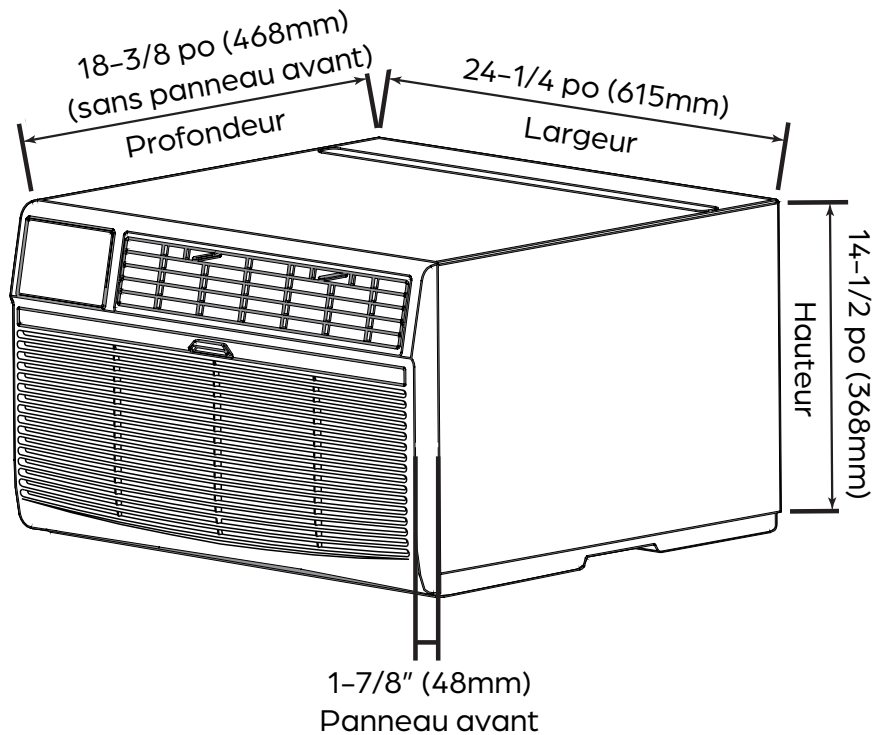
Les outils suivants sont requis pour l'installation:

- Gants
- Tournevis
- Perceuse
- Crayon
- Ruban à mesurer/règle
- Ciseaux/Couteau
- Niveau

NOMS DES PIÈCES



DIMENSIONS DES PIÈCES



APERÇU DE L'INSTALLATION

ÉTAPES D'INSTALLATION DE BASE

PRÉINSTALLATION

- Préparer le manchon mural et le fil de terre
- Installation de la grille en aluminium
- Fixer les joints d'étanchéité au manchon mural

INSTALLATION

- Attacher les pièces du cadre avant
- Insérer le joint principal
- Insérez le climatiseur dans le manchon mural et attacher le fil de terre

ÉTAPES DE PRÉINSTALLATION

PRÉPARER LE MANCHON MURAL ET LE FIL DE TERRE

Votre climatiseur mural Durastar Through The Wall (TTW) est conçu pour être installé conjointement avec un manchon mural. Pour installer votre climatiseur Durastar, vous devez déterminer si vous utiliserez un manchon mural existant ou si vous devez installer un nouveau manchon mural.

UTILISER UN MANCHON MURAL EXISTANT

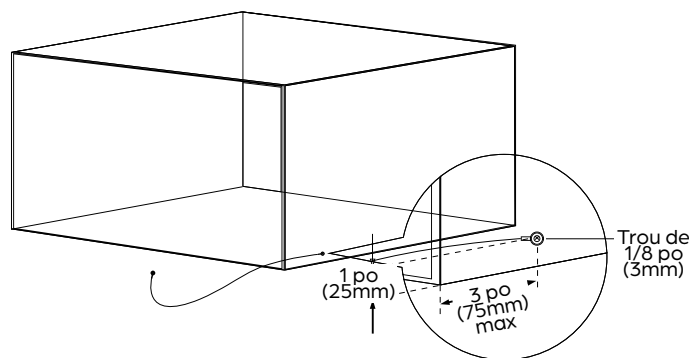
Si vous installez votre nouveau climatiseur Durastar dans un manchon mural existant, veuillez confirmer que :

- Le manchon mural est en bon état structurel.
- Le manchon mural est dimensionné de manière appropriée pour accueillir votre climatiseur Durastar.

Les dimensions du climatiseur Durastar sont : 24-1/2 po de large, 14-1/2 po de haut et 20-1/4 po de profondeur (avec panneau avant).

POUR PRÉPARER LE MANCHON EXISTANT ET LE FIL DE TERRE, PROCÉDEZ COMME SUIV :

1. Retirez l'ancien climatiseur du manchon mural.
2. Nettoyez l'intérieur.
3. Retirez tous les joints existants.
4. Il devrait y avoir un trou existant pour la mise à la terre de l'appareil. Si ce n'est pas le cas, il sera nécessaire de percer un trou de dégagement de 1/8 po pour une vis de mise à la terre à travers le côté gauche du manchon mural dans une zone dégagée, à moins de trois pouces (75 mm) du bord avant du manchon.

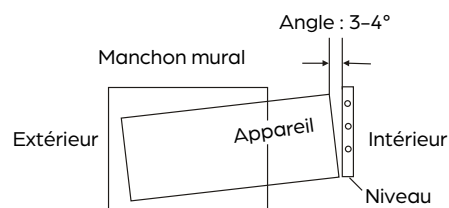


5. Connectez le fil de terre au manchon à l'aide de la vis de mise à la terre (n° 18).
6. Tirez l'extrémité libre du fil de terre hors de l'avant du manchon et pliez-la temporairement vers le bas et autour du bord inférieur du manchon. Ce fil de terre sera ensuite fixé au châssis du climatiseur une fois celui-ci installé.
7. Assurez-vous que le manchon mural est solidement fixé au mur avant d'installer le climatiseur. Utilisez des clous ou des vis supplémentaires si nécessaire.

MISE EN GARDE



- Tous les manchons muraux utilisés pour monter le nouveau climatiseur doivent être en bon état structurel et avoir une grille arrière qui se fixe solidement au manchon ou une bride arrière qui sert de butée au climatiseur.
- Une fois l'installation terminée, l'appareil de remplacement DOIT avoir une pente vers l'arrière comme indiqué.
- N'utilisez pas de vis autres que celles spécifiées ici.



INSTALLER UN NOUVEAU MANCHON MURAL

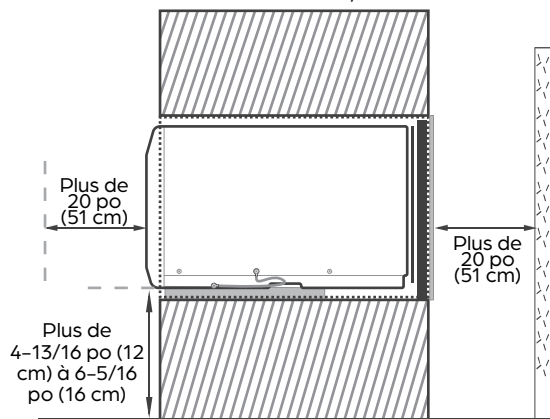
REMARQUE



Le manchon pour climatiseur mural Durastar est conçu spécifiquement pour la gamme de climatiseurs muraux Durastar et peut être acheté sur www.durastar.com. N° pièce DRWTCSLV.

POUR INSTALLER LE MANCHON DURASTAR ET PRÉPARER LE FIL DE TERRE, PROCÉDEZ COMME SUIVIT :

1. Sélectionnez l'emplacement d'installation du manchon mural, en vous basant sur l'image suivante.



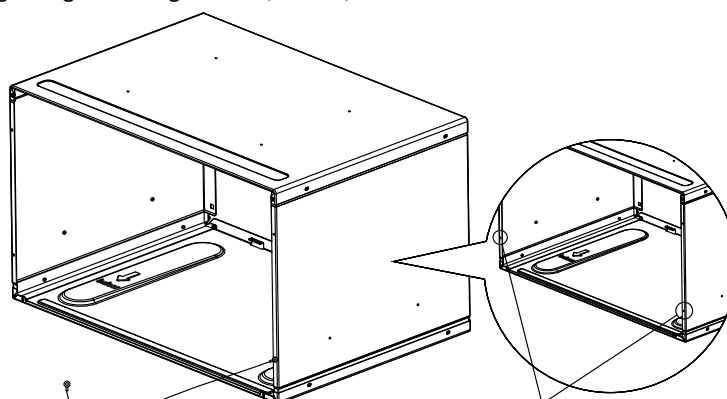
Vue latérale



REMARQUE

Des instructions supplémentaires sur l'assemblage et l'installation du manchon Durastar sont fournies avec le manchon.

2. Fixez le fil de terre au manchon mural. Sous l'avant du couvercle mural, il devrait y avoir deux trous de 1/8 po pour la mise à la terre. Connectez le fil de terre au manchon à l'aide de la vis de mise à la terre (n° 18). Connect the ground wire to the sleeve, using the grounding screw (No. 18).



Opération normale de mise à la terre

Vous pouvez choisir le côté gauche ou le côté droit pour la mise à la terre.

3. Assurez-vous que le manchon mural est solidement fixé au mur avant d'installer le climatiseur. Utilisez des clous ou des vis supplémentaires si nécessaire.
4. Tirez l'extrémité libre du fil de terre hors de l'avant du manchon et pliez-la temporairement vers le bas et autour du bord inférieur du manchon. Ce fil de terre sera ensuite fixé au châssis du climatiseur une fois celui-ci installé.

INSTALLATION DE LA GRILLE EN ALUMINIUM

REMARQUE

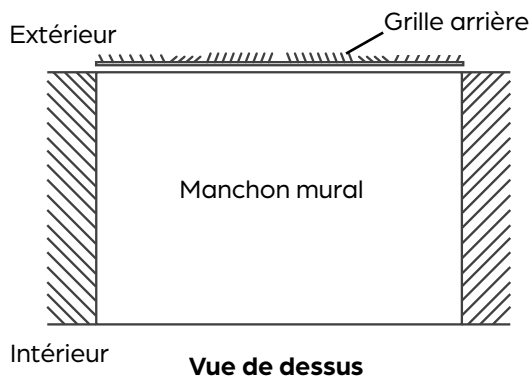


- Veuillez utiliser la grille arrière en aluminium livrée avec votre nouveau climatiseur. Cela garantira une bonne circulation de l'air à l'arrière de l'appareil et les meilleures performances de votre climatiseur. Si votre installation utilise un manchon mural déjà installé, veuillez remplacer la grille arrière par celle fournie avec votre nouveau climatiseur.
- La plupart des grilles extérieures décoratives peuvent être laissées en place tant que la nouvelle grille est installée ou qu'une grille de direction de l'air intérieur appropriée est installée.

FIXATION DE LA GRILLE AU MANCHON

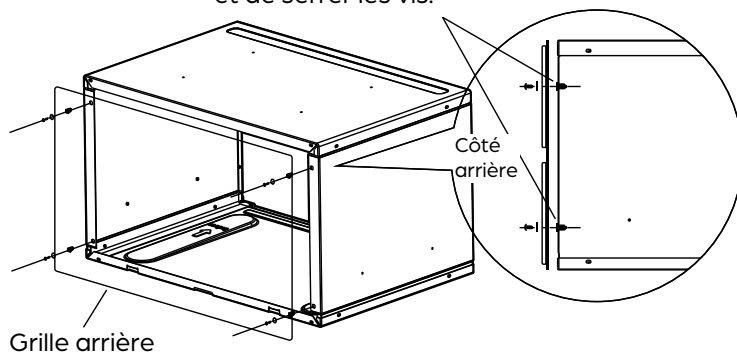
Voici la méthode privilégiée pour installer la nouvelle grille en aluminium. Attaché au manchon, les performances de l'appareil sont meilleures et les courants d'air sont réduits. La grille peut également être fixée directement sur le climatiseur.

1. Retirez la grille de direction de l'air intérieur existante, le cas échéant.
2. Placez la nouvelle grille fournie avec le climatiseur vers l'arrière du manchon, les ailettes dépassant vers l'extérieur.



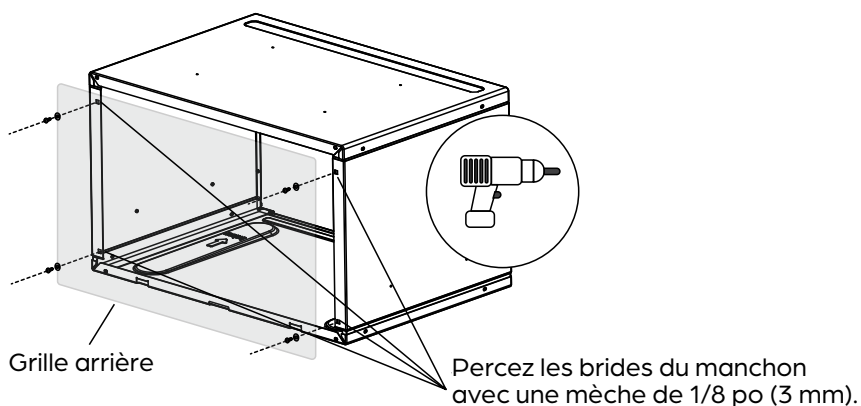
3. Fixez la nouvelle grille au manchon avec les quatre vis et rondelles (n° 16) et quatre ancrages (n° 17).

Enfoncez les quatre ancrages (n° 17) dans le trou du manchon mural avant d'installer la grille en aluminium et de serrer les vis.



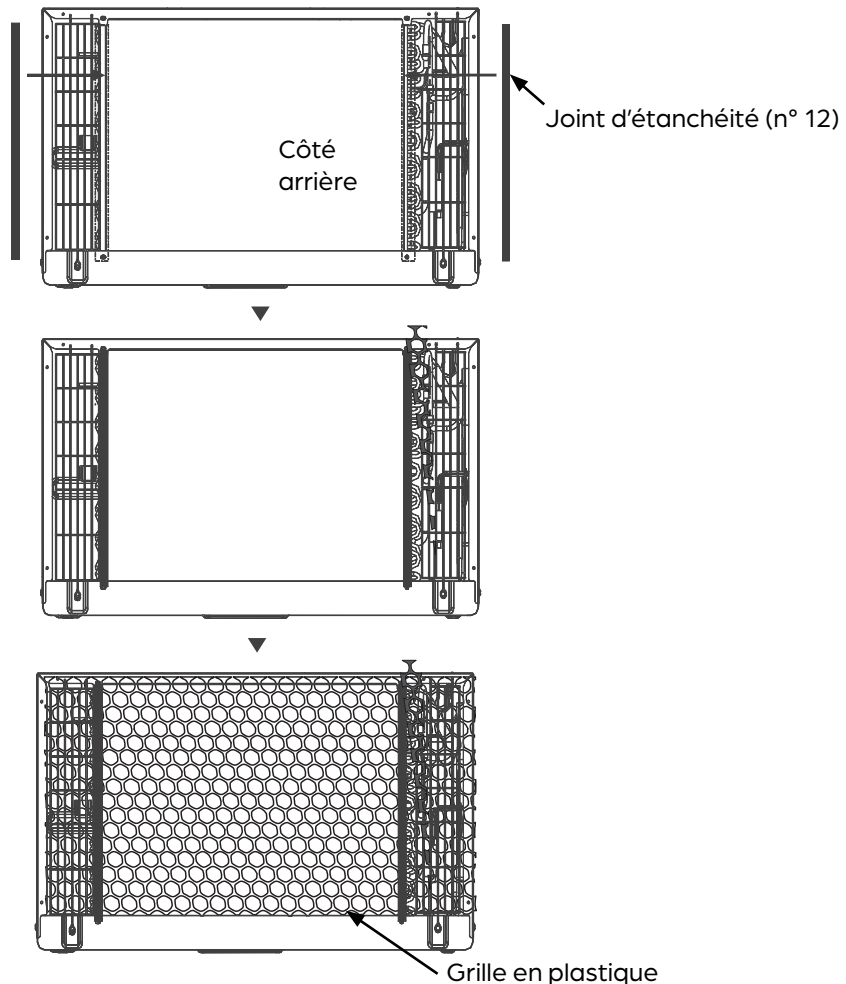
Pour installer la grille en aluminium sur un manchon mural sans trous de vis, procédez comme suit :

1. Marquez les positions des trous traversants sur le manchon mural, en utilisant la grille comme gabarit.
2. Percez les trous avec une mèche de 1/8 po (3 mm).
3. Fixez la nouvelle grille au manchon avec les quatre vis et rondelles (n° 16) et quatre ancrages (n° 17).

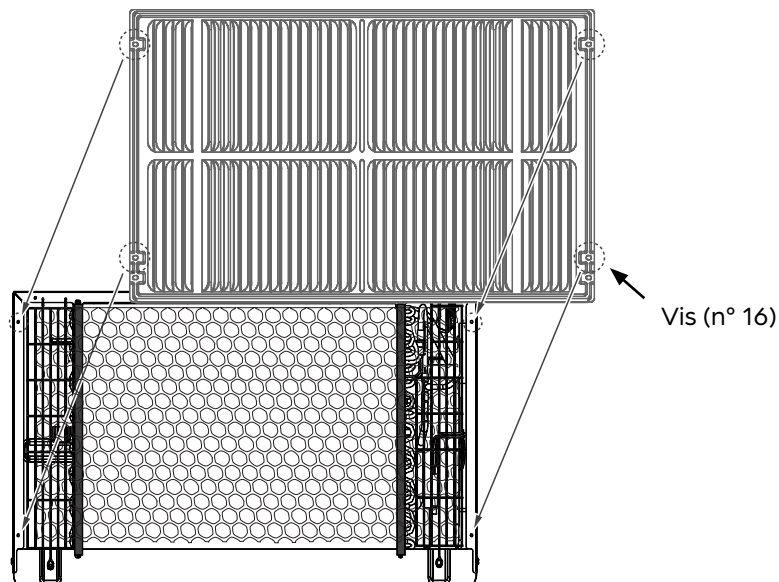


ATTACHER LA GRILLE AU CLIMATISEUR

1. Collez les joints d'étanchéité (n°12) comme indiqué. Ils assurent une distance sécuritaire entre les ailettes et la grille en aluminium et agit comme un tampon pour éviter qu'elles ne se touchent.
2. Fixez la grille en plastique (n° 6) à l'arrière de l'appareil.



3. Alignez la grille en aluminium avec le trou arrière de l'appareil comme indiqué, puis serrez-la et fixez-la à l'aide de quatre vis et rondelles (n° 16). Si l'appareil n'a pas été pré-percée, percez soigneusement quatre trous de 1/8 po (3 mm) à travers la grille et dans la bride latérale de l'appareil, puis fixez-la avec quatre vis et rondelles (n° 16). Faites attention à ne pas percer les serpentins de l'échangeur de chaleur en cuivre. Le côté saillant de l'ailette de la grille en aluminium doit être monté vers l'extérieur.



ATTACHER LES JOINTS D'ÉTANCHÉITÉ AU MANCHON MURAL

Afin de permettre un bon ajustement du climatiseur, des joints et des blocs de support en mousse sont placés à l'intérieur du manchon mural. Les joints et blocs assurent :

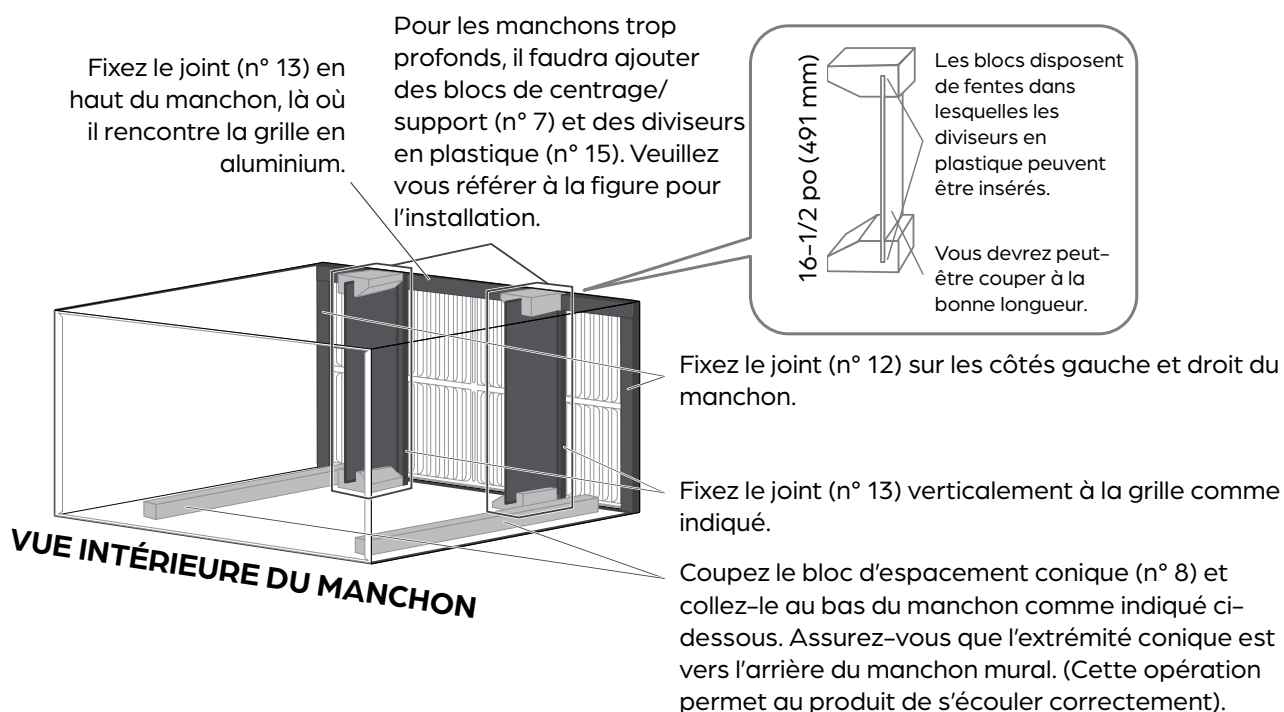
- Amortissement entre le climatiseur, le manchon et la grille ou bride arrière.
- Rembourrage supplémentaire pour assurer une pente vers l'arrière, au besoin.

Les joints et les blocs sont recouverts de colle. Vous devrez retirer le papier au dos des joints et des blocs pour les installer.

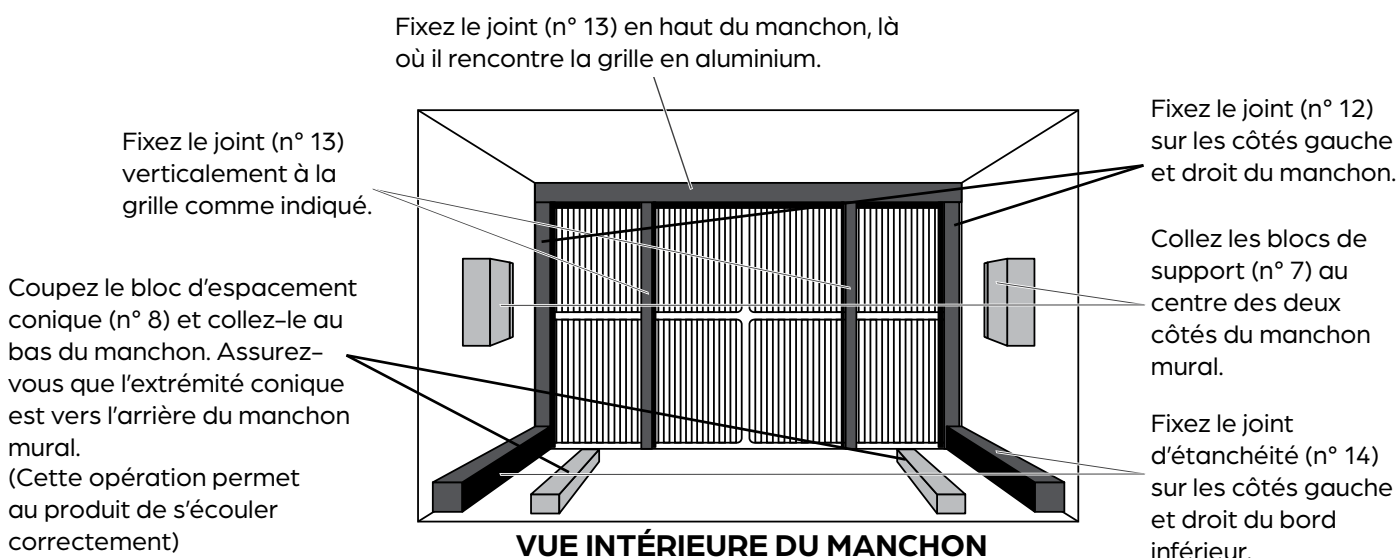
ATTACHER LES JOINTS D'ÉTANCHÉITÉ À UN MANCHON MURAL EXISTANT

Les joints et les blocs devront peut-être être coupés pour s'adapter à votre installation particulière. Soyez prudent lors de la coupe.

POUR LES MANCHONS EXISTANTS PLUS PROFONDS QUE L'APPAREIL :



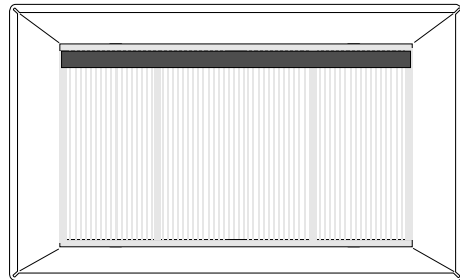
POUR LES MANCHONS EXISTANTS PLUS LARGES QUE L'APPAREIL :



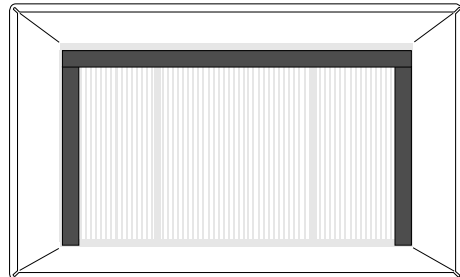
ATTACHER LES JOINTS D'ÉTANCHÉITÉ À UN NOUVEAU MANCHON MURAL DURASTAR

VUE INTÉRIEURE DU MANCHON

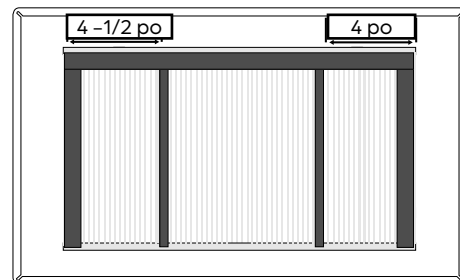
1. Attach one (No. 13) seal horizontally.



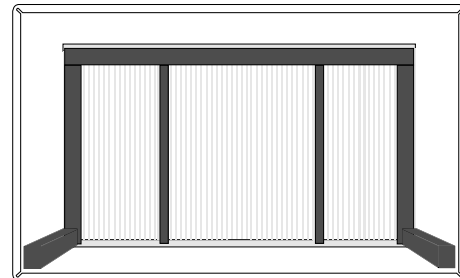
2. Attach two (No. 12) seals vertically.



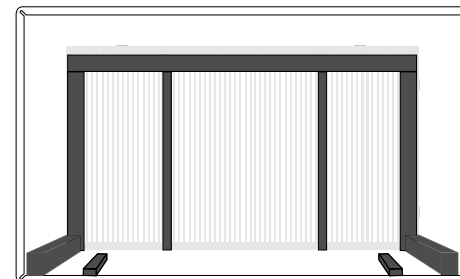
3. Attach two (No. 11) seals vertically.
(Fixez à 4-1/2 po du côté gauche et à 4 po du côté droit).



4. Fixez deux joints d'étanchéité (n° 10) comme indiqué.



5. Fixez deux blocs de support coniques (n°8) comme indiqué.



ÉTAPES D'INSTALLATION

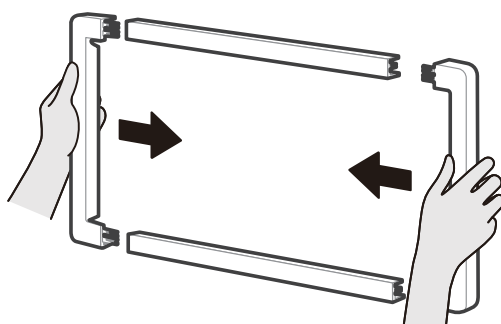
MISE EN GARDE



- Pour éviter tout risque de blessure, veuillez prendre les précautions suivantes :
- Utilisez deux personnes ou plus pour manipuler et installer le climatiseur.
- Utilisez des techniques de levage et de transport appropriées.
- Portez des gants de protection pour éviter les blessures causées par des bords tranchants.

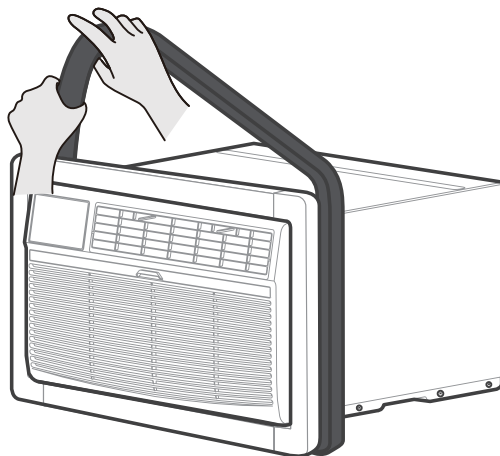
FIXER LES PIÈCES DU CADRE AVANT

Assemblez le cadre de garniture (n° 2) en insérant les pièces supérieure et inférieure dans les pièces latérales (n° 3) et intégrez-le dans l'appareil au ras du panneau avant.



INSÉRER LE JOINT D'ÉTANCHÉITÉ PRINCIPAL (N° 9)

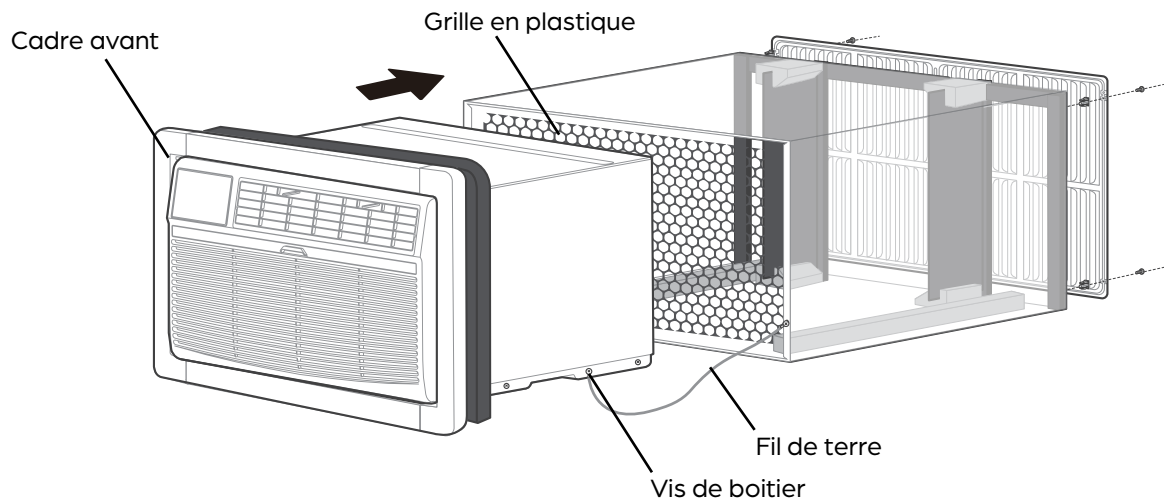
À l'aide d'un couteau à mastic ou d'un tournevis à tête plate, insérez le joint d'étanchéité dans l'espace entre le boîtier du climatiseur et le cadre du manchon mural. Coupez le joint d'étanchéité si nécessaire.



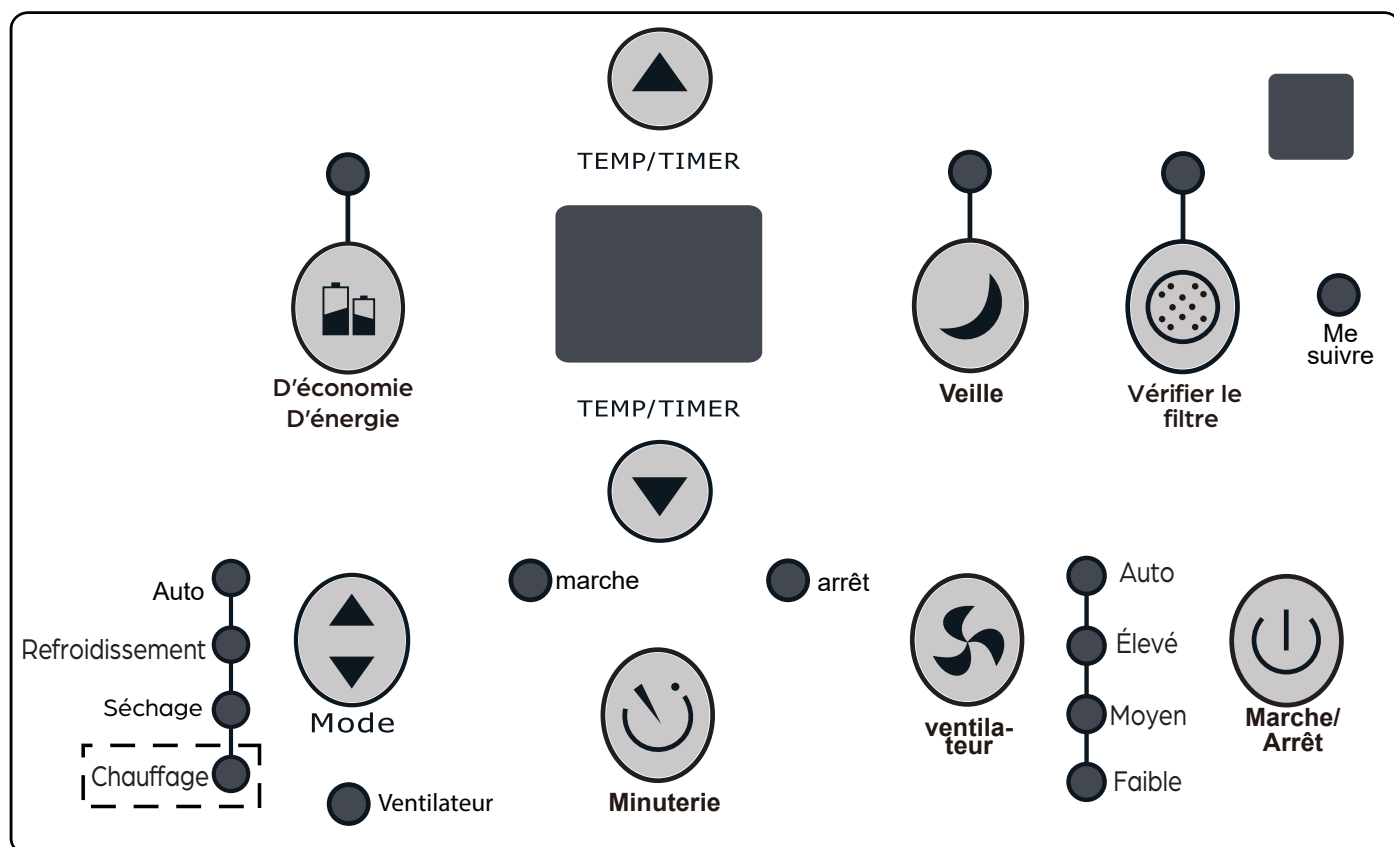
INSÉRER LE CLIMATISEUR DANS LE MANCHON MURAL

Retirez la vis du boîtier sur le côté du boîtier du climatiseur. Mettez la vis de côté. Le fil de terre sera fixé au climatiseur, à l'aide de cette vis et d'une rondelle dentée (n° 19).

1. Placez la grille en plastique (n° 6) dans le manchon mural, entre la grille ou bride arrière en aluminium et le climatiseur.
2. À deux personnes, soulevez le climatiseur et placez-le à mi-chemin dans le manchon, en laissant le trou de vis du boîtier exposé.
3. Connectez le fil de terre au climatiseur, en vous assurant que le côté saillant de la rondelle dentée est appuyé contre le boîtier.
4. Faites glisser le climatiseur complètement vers l'arrière du manchon mural, en vous assurant que tous les joints d'étanchéité et blocs de support en mousse créent un ajustement parfait pour l'appareil. Veuillez vous assurer que le fil de terre ne s'emmêle pas lorsque l'appareil est poussé dans le manchon mural.
5. Tirez le cordon d'alimentation à travers le cadre avant, puis faites glisser le cadre avant sur l'appareil, jusqu'à ce qu'il affleure le mur.
6. Branchez l'appareil et allumez-le.



PANNEAU DE CONTRÔLE



*Panneau de commande pour l'unité avec la chaleur affichée.

POUR ALLUMER/ÉTEINDRE L'APPAREIL

Appuyez sur le bouton d'alimentation pour allumer ou éteindre l'appareil.

REMARQUE



- Le circuit de refroidissement a un démarrage automatique différé de trois minutes si l'appareil est éteint et rallumé rapidement. Cela évite la surchauffe du compresseur et un éventuel déclenchement du disjoncteur. Le ventilateur continuera à fonctionner pendant ce temps.
- Si l'alimentation est coupée, l'appareil redémarrera automatiquement avec le réglage de fonction précédent lorsque l'alimentation sera rétablie.
- La fonction Follow Me (Me suivre) n'est activée que par la télécommande.

POUR CHANGER LA TEMPÉRATURE :

Appuyez sur les boutons fléchés TEMP/TIMER pour modifier le réglage de la température.  

Cette température sera automatiquement maintenue entre 62°F (17°C) et 86°F (30°C). Si vous souhaitez que l'écran indique la température ambiante réelle, voir Pour sélectionner le mode de fonctionnement : Mode ventilateur uniquement.

Votre climatiseur Durastar peut afficher la température en Fahrenheit et en Celsius. Pour basculer entre Fahrenheit et Celsius, appuyez et maintenez les flèches TEMP/TIMER en même temps pendant trois secondes.

POUR MODIFIER LA VITESSE DU VENTILATEUR

Appuyez sur le bouton du ventilateur pour parcourir quatre étapes : Auto, Faible, Moyen ou Élevé. Chaque fois que vous appuyez sur le bouton, le mode de vitesse du ventilateur change.

Pour certains modèles, la vitesse du ventilateur ne peut pas être réglée en mode HEST (chaleur). Pour le mode Séchage, la vitesse du ventilateur est contrôlée automatiquement à Faible.

POUR SÉLECTIONNER LE MODE DE FONCTIONNEMENT :

Pour choisir le mode de fonctionnement, appuyez sur le bouton Mode. Chaque fois que vous appuyez sur le bouton, un mode est sélectionné dans une séquence allant d'Auto, Refroidissement, Séchage, Chauffage (ne s'applique pas aux modèles à refroidissement uniquement) à Ventilateur. Le voyant lumineux à côté du bouton Mode s'allumera et restera allumé une fois le mode sélectionné.

L'appareil démarrera automatiquement la fonction d'économie d'énergie dans les modes Refroidissement, Séchage et Auto (uniquement Auto-Refroidissement et Auto-Ventilateur).

MODE AUTOMATIQUE

- Lorsque vous réglez l'appareil en mode Auto, il sélectionnera automatiquement le fonctionnement Refroidissement ou Ventilateur uniquement, en fonction de la température sélectionnée et de la température ambiante actuelle.
- Une fois la température sélectionnée atteinte, l'appareil maintiendra automatiquement la température ambiante.
- Dans ce mode, la vitesse du ventilateur ne peut pas être ajustée. Il démarrera automatiquement à une vitesse calibrée en fonction de la température ambiante réelle.

MODE REFROIDISSEMENT

- Utilisez les flèches haut et bas TEMP/MINUTERIE pour régler la température souhaitée.
- Lorsque le mode Refroidissement est sélectionné, la vitesse du ventilateur peut être ajustée en appuyant sur le bouton du ventilateur.

MODE SÉCHAGE

Dans ce mode, le climatiseur fonctionnera comme un déshumidificateur. Étant donné que l'espace conditionné est fermé ou scellé, un certain degré de refroidissement continuera à se produire.

MODE CHALEUR (MODÈLES DE REFROIDISSEMENT UNIQUEMENT EXCLUS)

- Utilisez les flèches haut et bas TEMP/MINUTERIE pour régler la température souhaitée.
- Appuyez sur le bouton du ventilateur pour sélectionner la vitesse du ventilateur. Pour certains modèles, la vitesse du ventilateur ne peut pas être réglée.

MODE VENTILATEUR UNIQUEMENT

- Utilisez cette fonction uniquement lorsque le refroidissement n'est pas souhaité, par exemple pour la circulation d'air de la pièce ou pour évacuer l'air (n'oubliez pas d'ouvrir l'évent). Vous pouvez choisir la vitesse que vous préférez.
- Pendant cette fonction, l'écran affichera la température ambiante réelle, et non une température réglée, comme en mode refroidissement.
- En mode Ventilateur uniquement, la température n'est pas ajustée.

POUR UTILISER LA FONCTION D'ÉCONOMIE D'ÉNERGIE :

Pour démarrer la fonction d'économie d'énergie, appuyez sur le bouton d'économie d'énergie. Cette fonctionnalité est disponible sur « Refroidissement », « Séchage » et « Auto » (uniquement refroidissement automatique et ventilateur automatique). Le ventilateur continuera à fonctionner pendant trois minutes après l'arrêt du compresseur, puis le ventilateur se mettra en marche pendant deux minutes à intervalles de 10 minutes jusqu'à ce que la température ambiante soit supérieure à la température réglée, auquel cas le compresseur se rallumera et le refroidissement commencera.

POUR UTILISER LA FONCTION DE VEILLE :

Pour démarrer la fonction veille, appuyez sur le bouton Sleep de la télécommande. CETTE FONCTION EST ACTIVÉE UNIQUEMENT PAR LA TÉLÉCOMMANDE.

Dans ce mode, la température sélectionnée augmentera (refroidissement) ou diminuera (chaleur si applicable) de 2 °F (1 °C) 30 minutes après la sélection du mode. La température augmentera ensuite (refroidissement) ou diminuera (chaleur si applicable) de 2°F (1°C) après 30 minutes supplémentaires.

Cette nouvelle température sera maintenue pendant sept heures, avant de revenir à la température initialement sélectionnée. Cela met fin au mode veille et l'appareil continuera à fonctionner comme programmé initialement. Le programme du mode veille peut être annulé à tout moment pendant le fonctionnement en appuyant à nouveau sur le bouton Sleep.

POUR UTILISER LA FONCTION DE VÉRIFICATION DU FILTRE :

Cette fonction rappelle qu'il faut nettoyer le filtre à air pour un fonctionnement plus efficace. Le voyant s'allumera après 250 heures de fonctionnement. Pour réinitialiser après avoir nettoyé le filtre, appuyez simplement sur le bouton Check Filter (Vérifier le filtre) et le voyant s'éteindra.

POUR UTILISER LA FONCTION MINUTERIE (DÉMARRAGE/ARRÊT AUTOMATIQUE) :

- Pour lancer la fonction de démarrage automatique, appuyez sur le bouton Timer (minuterie) ou appuyez sur le bouton « Timer On » (minuterie activée) de la télécommande. Le voyant « Timer On » s'allume, indiquant que le programme de démarrage/arrêt automatique est lancé.
- Pour éteindre, appuyez à nouveau sur le bouton Timer ou appuyez sur le bouton « Timer Off » (minuterie désactivée) de la télécommande. Le voyant « Timer Off » s'allume, indiquant que le programme d'arrêt automatique est lancé.
- Appuyez ou maintenez enfoncées les flèches TEMP/TIMER pour modifier l'heure automatique par incréments de 1/2 heure jusqu'à 10 heures, puis par incréments d'une heure jusqu'à 24 heures. La commande compte à rebours le temps restant jusqu'au démarrage.
- L'heure sélectionnée s'affichera pendant cinq secondes, puis reviendra automatiquement pour afficher le réglage de température précédent ou la température ambiante lorsque l'appareil est allumé. (Remarque : lorsque l'appareil est éteint, il n'y a aucun affichage.)
- Allumer ou éteindre l'appareil à tout moment, ou régler le réglage de la minuterie sur 0,0, annulera le programme de démarrage/arrêt automatique.

AFFICHAGE NUMÉRIQUE

- Affiche la température réglée en °F ou °C et les paramètres de la minuterie automatique.
- En mode Ventilateur uniquement, il affiche la température ambiante.
- Si la température ambiante est trop élevée ou trop basse, l'écran affiche « HI » (élevé) ou « LOW » (faible).

CODES D'ERREUR

AS–Erreur du capteur de température ambiante – Débranchez l'appareil et rebranchez-le. Si l'erreur se répète, appelez le service d'entretien.

ES–Erreur du capteur de température de l'évaporateur– Débranchez l'appareil et rebranchez-le. Si l'erreur se répète, appelez le service d'entretien.

HS–Erreur du capteur de chauffage électrique– Débranchez l'appareil et rebranchez-le. Si l'erreur se répète, appelez le service d'entretien.

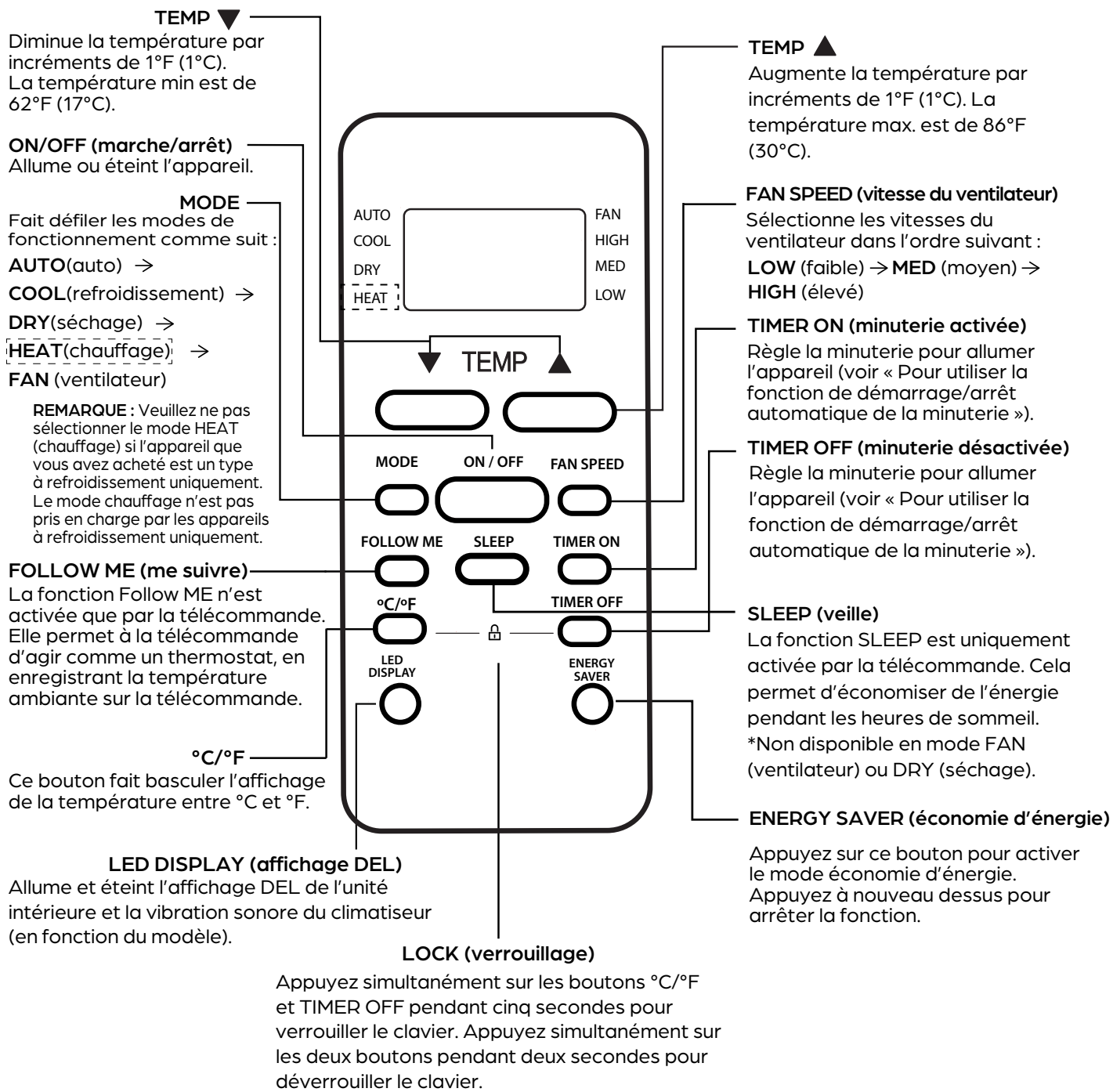
CS–Le capteur du condenseur de l'unité extérieure est défectueux–Débranchez l'appareil et rebranchez-le. Si l'erreur se répète, appelez le service d'entretien.

oS–Erreur du capteur de température ambiante – Débranchez l'appareil et rebranchez-le. Si l'erreur se répète, appelez le service d'entretien.

E3–Erreur de blocage du ventilateur– Débranchez l'appareil et rebranchez-le. Si l'erreur se répète, appelez le service d'entretien.

E0–Échec du paramètre EEPROM–Débranchez l'appareil et rebranchez-le. Si l'erreur se répète, appelez le service d'entretien.

TÉLÉCOMMANDE

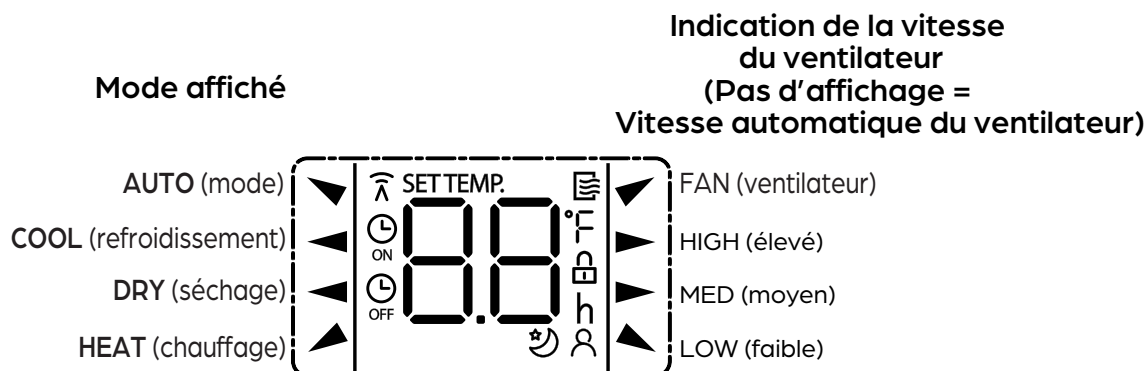


REMARQUE

- **FAN SPEED (vitesse du ventilateur)** sur la télécommande affiche uniquement LOW → MED → HIGH. Vous pouvez utiliser la télécommande pour régler la vitesse du ventilateur sur AUTO (après HIGH), mais elle ne s'affichera que sur le panneau de commande de l'unité.
- Lorsque **LED DISPLAY** de l'appareil est éteint, vous ne pouvez effectuer des modifications qu'avec la télécommande.
- La fonction Follow Me ne peut être activée que par la télécommande.

ÉCRAN DE LA TÉLÉCOMMANDE

Les informations s'affichent lorsque la télécommande est sous tension



Affiché lors de la transmission des données.



Affiché lorsque la télécommande est allumée.



Affiché lorsque l'heure du démarrage TIMER ON est réglée.



Affiché lorsque l'heure d'arrêt TIMER OFF est réglée.



Affiche la température réglée ou la température ambiante, ou l'heure sous le réglage TIMER.



Indique que tous les paramètres actuels sont verrouillés.



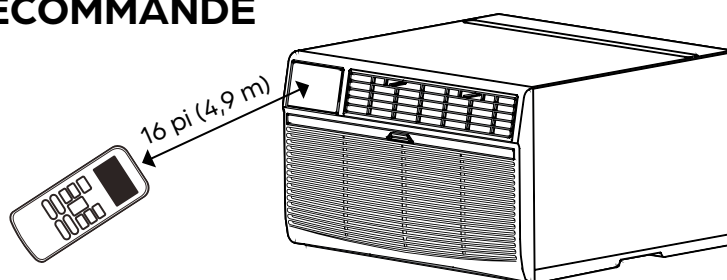
Affiché lorsque la fonction Follow Me est activée (certains appareils).



Affiché lorsque la fonction SLEEP (veille) est activée

FUNCTIONNEMENT DE LA TÉLÉCOMMANDE

- La télécommande a une portée de fonctionnement de 16 pi (4,9 m) de l'appareil.
- Le récepteur/capteur de signal de la télécommande est situé sur le panneau de commande du climatiseur.
- La réception des commandes du signal est confirmée par un signal sonore audible beep.



REMARQUE



- Avant l'utilisation, veuillez vous assurer que l'appareil est branché et que l'alimentation est disponible.
- Les commandes peuvent être saisies et seront enregistrées sur la télécommande, même lorsque le climatiseur est éteint, tant que l'unité est alimentée.

POUR ALLUMER L'APPAREIL :

Appuyez sur le bouton d'alimentation ON/OFF pour allumer ou éteindre l'appareil.

POUR CHANGER LA TEMPÉRATURE :

Appuyez sur les boutons fléchés TEMP haut/bas pour modifier le réglage de la température. Chaque pression modifie la température par incréments de 1°F ou 1°C. La plage de température est entre 62°F (17°C) et 86°F (30°C).

POUR MODIFIER LA VITESSE DU VENTILATEUR :

Appuyez sur le bouton de vitesse du ventilateur pour parcourir quatre étapes : Auto, Faible, Moyen ou Élevé. Chaque fois que vous appuyez sur le bouton, le mode de vitesse du ventilateur change.

- Pour le mode Séchage, la vitesse du ventilateur est contrôlée automatiquement à Faible.
- Pour le mode Auto, la vitesse du ventilateur ne peut pas être ajustée. Il démarrera automatiquement à une vitesse calibrée en fonction de la température ambiante réelle.

POUR SÉLECTIONNER LE MODE DE FONCTIONNEMENT :

Pour choisir le mode de fonctionnement, appuyez sur le bouton Mode . Chaque fois que vous appuyez sur le bouton, un mode est sélectionné dans une séquence allant d'Auto, Refroidissement, Séchage, Chauffage (ne s'applique pas aux modèles à refroidissement uniquement) à Ventilateur.

MODE AUTOMATIQUE

Lorsque vous réglez l'appareil en mode Auto, il sélectionnera automatiquement le fonctionnement Refroidissement ou Ventilateur uniquement, en fonction de la température sélectionnée et de la température ambiante actuelle. La vitesse du ventilateur ne peut pas être réglée en mode Auto.

1. Appuyez sur le bouton MODE pour sélectionner le mode AUTO.
2. Réglez la température souhaitée à l'aide des boutons fléchés TEMP haut/bas.

MODE REFROIDISSEMENT

1. Appuyez sur le bouton MODE pour sélectionner le mode REFROIDISSEMENT.
2. Réglez la température souhaitée à l'aide des boutons fléchés TEMP haut/bas.
3. Appuyez sur le bouton FAN pour sélectionner la vitesse du ventilateur. AUTO, FAIBLE, MOYEN or ÉLEVÉ.

MODE SÉCHAGE (DÉSHUMIDIFICATION)

Dans ce mode, le climatiseur fonctionnera comme un déshumidificateur. Étant donné que l'espace conditionné est fermé ou scellé, un certain degré de refroidissement continuera à se produire. La vitesse du ventilateur ne peut pas être changée en mode SÉCHAGE.

1. Appuyez sur le bouton MODE pour sélectionner le mode DRY (séchage).
2. Réglez la température souhaitée à l'aide des boutons fléchés TEMP haut/bas.

MODE CHALEUR (MODÈLES DE REFROIDISSEMENT UNIQUEMENT EXCLUS)

1. Appuyez sur le bouton MODE pour sélectionner le mode HEAT (séchage).
2. Réglez la température souhaitée à l'aide des boutons fléchés TEMP haut/bas.
3. Appuyez sur le bouton FAN pour sélectionner la vitesse du ventilateur. AUTO, FAIBLE, MOYEN or ÉLEVÉ.

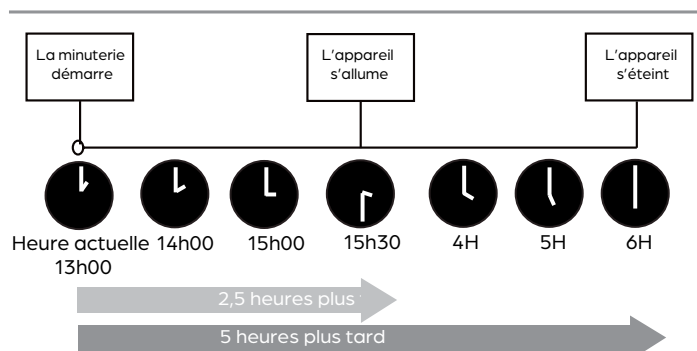
MODE VENTILATEUR UNIQUEMENT

Utilisez cette fonction uniquement lorsque le refroidissement n'est pas souhaité, par exemple pour la circulation d'air de la pièce ou pour évacuer l'air (n'oubliez pas d'ouvrir l'évent). Vous pouvez choisir la vitesse que vous préférez. Pendant cette fonction, l'écran affichera la température ambiante réelle, et non une température réglée, comme en mode refroidissement. **En mode Ventilateur uniquement, la température n'est pas ajustée et ne s'affiche pas sur l'écran ACL.**

1. Appuyez sur le bouton MODE pour sélectionner le mode FAN (ventilateur).
2. Appuyez sur le bouton FAN pour sélectionner la vitesse du ventilateur. AUTO, FAIBLE, MOYEN or ÉLEVÉ.

POUR RÉGLER FONCTION TIMER ON/OFF (MINUTERIE MARCHÉ/ARRÊT) :

La fonction TIMER ON/OFF (minuterie marche/arrêt) est utilisée pour définir la durée avant que l'appareil ne s'allume automatiquement et la durée avant que l'appareil ne s'éteigne automatiquement. Gardez à l'esprit que les périodes de temps pour les deux fonctions se réfèrent aux heures après l'heure actuelle.



Exemple: Si l'heure actuelle est 13h00, pour régler la minuterie pour qu'elle démarre à 15h30, entrez 2,5h. Pour régler la minuterie pour qu'elle s'arrête à 18h00, entrez 5h.

POUR RÉGLER LA MINUTERIE À L'HEURE :

1. Appuyez sur le bouton Timer On pour démarrer la fonction TIMER ON.
2. Appuyez sur les boutons fléchés TEMP haut/bas pour régler l'heure souhaitée pour que l'appareil s'allume.
3. Pointez la télécommande vers l'appareil et attendez une seconde. La fonction TIMER ON sera activée.

REMARQUE



- Lors du réglage de TIMER ON ou TIMER OFF, le temps augmentera par incréments de 30 minutes à chaque pression, jusqu'à 10 heures. Après 10 heures et jusqu'à 24 heures, elle augmentera par incréments d'une heure. (Par exemple, appuyez 5 fois pour obtenir 2,5 heures et appuyez 10 fois pour obtenir 5 heures.) La minuterie reviendra à 0,0 après 24 heures.
- Vous pouvez annuler l'une ou l'autre fonction en réglant sa minuterie sur 0,0 h.

POUR RÉGLER LA MINUTERIE D'ARRÊT :

1. Appuyez sur le bouton Timer Off pour démarrer la fonction TIMER OFF.
2. Appuyez sur les boutons fléchés TEMP haut/bas pour régler l'heure souhaitée pour que l'appareil s'allume.
3. Pointez la télécommande vers l'appareil et attendez une seconde. La fonction TIMER OFF sera activée.

FONCTION FOLLOW ME (ME SUIVRE)

La fonction Follow Me ne peut être activée que par la télécommande. Lorsqu'elle est activée, la télécommande sert de thermostat à distance, mesurant la température de l'air à l'emplacement de la télécommande. Pour l'activer, pointez la télécommande vers l'appareil et appuyez sur le bouton Follow Me. La télécommande affichera alors la température à son emplacement. Pour désactiver, appuyez à nouveau sur le bouton Follow Me.

NOTES SUPPLÉMENTAIRES SUR LA TÉLÉCOMMANDE

- **Pour remplacer les piles**, retirez le couvercle arrière en appuyant à l'endroit indiqué et en faisant glisser le couvercle des piles.
- La lumière directe du soleil peut interférer avec le signal infrarouge.
- Si le récepteur infrarouge de l'appareil est exposé à la lumière directe du soleil, l'appareil risque de ne pas fonctionner correctement lorsqu'il est utilisé avec la télécommande. Utilisez les rideaux pour empêcher la lumière du soleil de tomber sur le récepteur infrarouge.
- N'exposez pas la télécommande à la lumière directe du soleil ou à la chaleur et ne laissez pas de liquide tomber dessus car cela pourrait nuire à ses performances.
- Le climatiseur ne fonctionnera pas si des rideaux, des portes ou d'autres matériaux bloquent les signaux de la télécommande vers l'appareil.
- Si d'autres appareils électriques réagissent à la télécommande, éloignez-les de votre climatiseur

TÉLÉCOMMANDE : Déclaration concernant la conformité à la FCC/IC (CAN ICES-003 (B)/NMB-003(B))

Cet appareil est conforme à la partie 15 des Règles de la FCC/Innovation, Sciences et Développement économique Canada's ICES-003.

Fonctionnement sous réserve des deux conditions suivantes :

- (1) Cet appareil ne peut pas causer d'interférences nuisibles, et
- (2) Cet appareil doit accepter toute interférence reçue, y compris les interférences qui peuvent provoquer un fonctionnement indésirable.

MODIFICATION : Tout changement ou modification non expressément approuvé par la partie responsable de la conformité pourrait annuler l'autorité de l'utilisateur d'utiliser l'équipement.

REMARQUE : Cet équipement a été testé et jugé conforme aux limites pour un appareil numérique de classe B, conformément à la partie 15 des règles de la FCC. Ces limites sont conçues pour fournir une protection raisonnable contre les interférences nuisibles dans une installation résidentielle. Cet équipement génère, utilise et peut rayonner de l'énergie radiofréquence et, s'il n'est pas installé et utilisé conformément aux instructions, peut causer des interférences nuisibles aux communications radio. Cependant, il n'y a aucune garantie que l'interférence ne se produira pas dans une installation particulière.

Si cet équipement cause des interférences nuisibles à la réception de la radio ou de la télévision, ce qui peut être déterminé en éteignant et en allumant l'équipement, l'utilisateur est encouragé à essayer de corriger le brouillage par une ou plusieurs des mesures suivantes :

- Réorientez ou déplacez l'antenne de réception.
- Augmenter la séparation entre l'équipement et le récepteur.
- Connectez l'équipement dans une prise sur un circuit différent de celui auquel le récepteur est connecté.
- Consultez le concessionnaire ou un technicien de radio/télévision expérimenté pour obtenir de l'aide.— Connectez l'équipement à une prise sur un circuit différent de celui auquel le récepteur est connecté.

**Déclaration de conformité du fournisseur
Conformément à la partie 2 de la FCC, article 2.1077**

Identifiant unique : RG57A6/BGEFU1/RG57A6/BGEFU1/RG51G4(1)/CEU1/RG51G(1)/EFU1
RG10A(D2S)/BGEFU1/RG10F2(D2)/BGEFU1/RG51G(1)/CEFU1
KJR-12B/DP(T)-F-1-04/KJR-120N(X6W)/BGEF

Partie responsable – Coordonnées aux États-Unis

Nom de l'entreprise Ferguson Enterprises LLC

Adresse postale : 751 Lakefront Commons

Ville, État : Newport News, VA

Code postal : 23606

Numéro de téléphone ou coordonnées Internet : Durastar.com

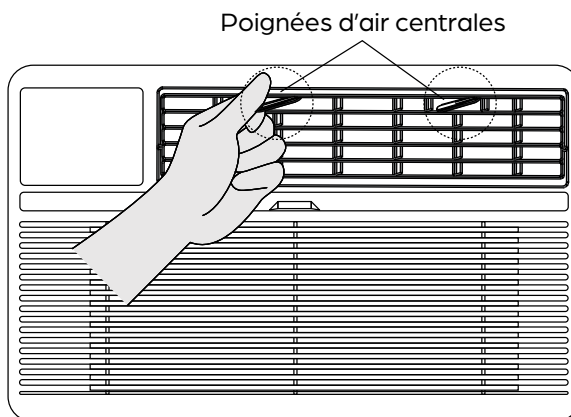
Déclaration de conformité FCC

Cet appareil est conforme à la partie 15 des règles FCC. Le fonctionnement est soumis aux deux conditions suivantes : (1) Cet appareil ne doit pas provoquer d'interférences nuisibles, et (2) cet appareil doit accepter toute interférence reçue, y compris les interférences susceptibles de provoquer un fonctionnement indésirable.

AÉRATEURS DIRECTIONNELS D'AIR

Les aérateurs directionnels à 4 directions vous permettent de diriger le flux d'air vers le haut, le bas, la gauche ou la droite dans toute la pièce selon vos besoins.

- Pour régler les aérateurs directionnels d'air d'un côté à l'autre, utilisez les poignées centrales lorsque vous vous déplacez d'un côté à l'autre.
- Pour régler de haut en bas, faites pivoter les aérateurs en appuyant avec vos doigts jusqu'à obtenir la direction du flux d'air souhaitée.



MISE EN GARDE

Ne mettez pas vos doigts dans la sortie d'air. Cela pourrait provoquer des blessures.

ENTRETIEN



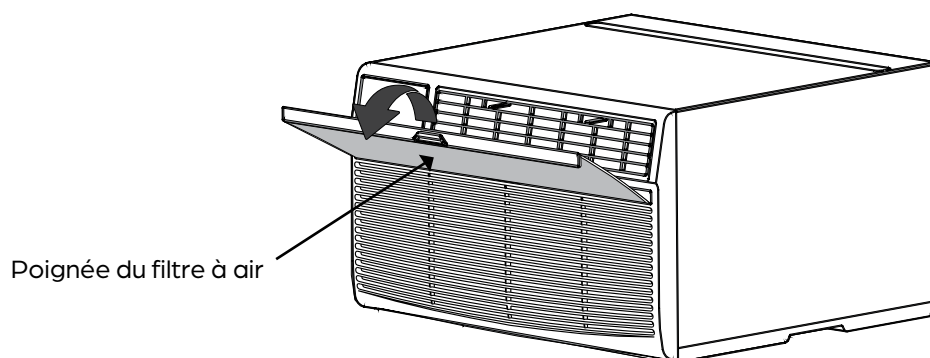
AVERTISSEMENT

Assurez-vous de débrancher l'appareil avant de le nettoyer, pour éviter tout risque d'électrocution ou d'incendie.

NETTOYAGE DU FILTRE À AIR

Le filtre à air doit être vérifié au moins une fois par mois pour voir si un nettoyage est nécessaire. Les particules piégées dans le filtre peuvent s'accumuler, empêchant une bonne circulation de l'air et pouvant entraîner une accumulation de givre sur les serpentins de refroidissement. Le filtre à air est situé dans une fente derrière la grille avant/panneau d'admission d'air.

1. Trouvez la poignée du filtre à air, située en haut de la grille avant.
2. Saisissez le filtre à deux mains et tirez vers le haut et vers l'extérieur.
3. Lavez le filtre avec du détergent à vaisselle liquide et de l'eau tiède. Rincez soigneusement le filtre.
4. Secouez doucement l'excès d'eau du filtre.
5. Assurez-vous que le filtre est complètement sec avant de le replacer.
6. Vous pouvez également nettoyer délicatement le filtre avec un aspirateur.
7. Réinsérez le filtre à air.



MISE EN GARDE

- N'utilisez jamais d'eau chaude à plus de 104°F (40°C) pour nettoyer le filtre à air.
- N'essayez jamais de faire fonctionner l'appareil sans le filtre à air.

NETTOYAGE DU BOITIER

- Le boîtier et la façade peuvent être époussetés avec un chiffon sans huile ou lavés avec un chiffon imbibé d'une solution d'eau tiède et de détergent à vaisselle liquide doux. Rincez complètement et essuyez.
- N'utilisez jamais de nettoyeurs agressifs, de cire ou de produit à polir sur la façade du boîtier.
- Assurez-vous d'essorer l'excès d'eau du chiffon avant d'essuyer autour des commandes. Un excès d'eau dans ou autour des commandes peut endommager le climatiseur.

SONS NORMAUX

Bruit aigu – Les compresseurs à haut rendement peuvent émettre un bruit aigu pendant le cycle de refroidissement.

Bruit d'air précipité – À l'avant de l'appareil, vous pouvez entendre le bruit d'air précipité déplacé par le ventilateur.

Gargouillis/Sifflement – Des gargouillis ou des sifflements peuvent être provoqués par le réfrigérant traversant l'évaporateur pendant le fonctionnement normal.

Vibrations – L'appareil peut vibrer et faire du bruit en raison d'une mauvaise construction des murs ou des fenêtres ou d'une installation incorrecte.

Cognement ou commutation – Des gouttelettes d'eau frappant le condenseur pendant le fonctionnement normal peuvent provoquer ces bruits.

GUIDE D'ÉCONOMIE D'ÉNERGIE

Lisez et suivez le guide ci-dessous pour obtenir les meilleures performances et efficacité de votre climatiseur :

- Ne couvrez pas la sortie d'air (échappement) pendant l'utilisation.
- Utilisez la minuterie pour faire fonctionner l'appareil avant que vous en ayez besoin. Par exemple, réglez la minuterie pour allumer l'appareil en mode refroidissement pendant trois heures ou plus afin de refroidir la pièce avant votre arrivée. Vous souhaitez peut-être faire fonctionner l'appareil toute la journée si vous vivez dans un climat plus chaud.
- Minimisez les sources de chaleur (soleil direct, ordinateurs, serveurs, personnes, etc.) dans la pièce.
- Fermez toutes les fenêtres et portes.
- Utilisez l'appareil dans une pièce confinée. Par exemple, une pièce avec quatre murs et un plafond, au lieu d'un studio ou d'un entrepôt cloisonné.
- Assurez-vous que l'appareil est solide et qu'il ne comporte aucun espace où l'air peut s'échapper.
- Minimisez la quantité d'humidité dans la pièce. Par exemple, faites fonctionner l'appareil comme déshumidificateur.
- Pour prolonger la durée de vie du compresseur, veuillez attendre au moins trois minutes avant de rallumer l'appareil après l'avoir éteint.
- Inspectez et nettoyez régulièrement les filtres à air.
- Effectuez l'entretien de routine.

DÉPANNAGE

Suivez ce guide de dépannage pour résoudre les problèmes courants.

PROBLÈME	CAUSES POSSIBLES	SOLUTION
LE CLIMATISEUR NE FONCTIONNE PAS	La prise murale est débranchée.	Assurez-vous que l'appareil est branché.
	Le cordon d'alimentation LCDI est déclenché.	Appuyez sur le bouton de réinitialisation du cordon LCDI.
	Le fusible de la maison est grillé ou le disjoncteur est déclenché.	Remplacez le fusible par un fusible temporisé ou réinitialisez le disjoncteur.
	Le bouton d'alimentation du panneau de commande est éteint.	Allumez le bouton d'alimentation du panneau de commande et réglez-le sur le paramètre souhaité.
L'AIR DE L'APPAREIL N'EST PAS ASSEZ FROID.	La température n'est pas réglée suffisamment basse.	Réglez à une température plus basse.
	La température ambiante est inférieure à 62°F (17°C).	Le refroidissement ne peut pas se produire tant que la température ambiante ne dépasse pas 62°F (17 °C).
	L'élément sensible à la température touche le serpentin froid situé derrière le filtre à air.	Éloignez le tube du serpentin.
	Le compresseur s'arrête en changeant de mode..	Attendez environ trois minutes et écoutez le compresseur redémarrer lorsqu'il est réglé en mode REFROIDISSEMENT.
L'APPAREIL NE REFROIDIT PAS CORRECTEMENT ET DE LA GLACE SE FORME SUR LE SERPENTIN DE REFROIDISSEMENT DERRIÈRE LA FAÇADE DÉCORATIVE	La température extérieure est inférieure à 64°F (18°C).	Pour dégivrer le serpentin, réglez l'appareil en mode VENTILATEUR UNIQUEMENT.
	Le filtre à air est peut-être sale.	Nettoyez le filtre. Référez-vous à la section entretien. Pour dégivrer, réglez l'appareil en mode VENTILATEUR UNIQUEMENT.
	Le thermostat est réglé trop froid pour le refroidissement de nuit.	Pour dégivrer le serpentin, réglez l'appareil en mode VENTILATEUR UNIQUEMENT. Ensuite, réglez la température à un niveau plus élevé.
L'APPAREIL NE REFROIDIT PAS CORRECTEMENT ET AUCUNE GLACE NE SE FORME SUR LE SERPENTIN DE REFROIDISSEMENT DERRIÈRE LA FAÇADE DÉCORATIVE..	Le filtre à air est sale et l'air est restreint.	Nettoyez le filtre à air. Référez-vous à la section entretien.
	La température est trop élevée.	Réglez la température à un niveau inférieur.
	Les aérateurs directionnels d'air sont mal positionnés.	Positionnez les aérateurs pour une meilleure répartition de l'air.
	La façade de l'appareil est bloquée par des rideaux, des stores, des meubles ou d'autres objets qui restreignent la distribution de l'air.	Éliminez tout blocage devant l'appareil.
	Il y a des portes, des fenêtres, etc. ouvertes.	Lorsque les entrées sont ouvertes, l'air froid s'échappe. Fermez les portes, les fenêtres, etc.
	L'appareil a été récemment allumé dans une pièce chaude.	Prévoyez plus de temps pour éliminer la « chaleur emmagasinée » des murs, du plafond, du sol et des meubles.
LE CLIMATISEUR S'ALLUME ET S'ÉTEINT RAPIDEMENT.	Le filtre à air est sale et l'air est restreint.	Nettoyez le filtre à air.
	La température extérieure est extrêmement chaude.	Réglez la vitesse du VENTILATEUR à un réglage plus élevé pour faire passer l'air plus fréquemment devant les serpentins de refroidissement.
IL Y A DU BRUIT LORSQUE L'APPAREIL REFROIDIT.	Certains bruits de mouvement d'air sont normaux.	Si l'appareil est trop bruyant, réglez-le sur un réglage de VENTILATEUR plus lent.
	Vibration de la fenêtre - mauvaise installation.	Reportez-vous aux instructions d'installation ou vérifiez auprès de l'installateur.

PROBLÈME	CAUSES POSSIBLES	SOLUTION
IL Y A DE L'EAU DÉGOUTTANT À L'INTÉRIEUR LORSQUE L'UNITÉ REFROIDIT.	L'appareil a été mal installé.	Inclinez légèrement le climatiseur vers l'extérieur pour permettre l'évacuation de l'eau.
IL Y A DE L'EAU DÉGOUTTANT À L'EXTÉRIEUR LORSQUE L'UNITÉ REFROIDIT.	L'appareil élimine une grande quantité d'humidité d'une pièce humide.	Ceci est normal pendant les journées excessivement humides.
LA TÉLÉCOMMANDE NE DÉTECTE PAS.	La télécommande n'est pas située à portée de l'appareil.	Placez la télécommande à moins de 16 pi (4,9 m) et dans un rayon de 180 degrés de l'avant de l'appareil.
	Le signal de la télécommande est obstrué.	Retirez l'obstruction.
LA PIÈCE EST TROP FROIDE.	La température est réglée trop basse.	Augmentez la température réglée.

GARANTIE DURASTAR

Garantie complète de deux ans sur les pièces et la main-d'œuvre

Ce produit est garanti par Durastar et est soumis aux conditions énoncées comme suit :

CE QUI EST COUVERT :

Pendant une période de DEUX (2) ANS à compter de la date d'achat au détail d'origine, Durastar réparera ou remplacera, gratuitement, incluant la main-d'œuvre, les pièces qui ne fonctionnent plus en raison d'un défaut de matériaux ou de fabrication. La main d'œuvre sera effectuée gratuitement dans un atelier de réparation Durastar agréé et Durastar fournira gratuitement les pièces neuves, reconstruites ou remises à neuf.

Durastar peut demander qu'une pièce défectueuse soit retournée en échange d'une pièce de remplacement. Toutes les pièces ou produits de remplacement seront neufs, reconditionnés ou remis à neuf. Tous les produits et pièces remplacés par Durastar sous garantie deviennent la propriété de Durastar. Après la période de 24 mois, Durastar ne sera plus responsable des frais de main-d'œuvre engagés ou des pièces de remplacement. Tous les produits et pièces défectueux couverts par cette garantie seront réparés ou remplacés par la poste à un centre de réparation agréé Durastar.

Cette garantie s'applique uniquement à l'acheteur d'origine et couvre uniquement les défauts de fabrication constatés lors du fonctionnement du produit dans des conditions normales de service, d'entretien et d'utilisation. Cette garantie s'applique à l'achat et à l'utilisation de ce produit dans un environnement résidentiel aux États-Unis d'Amérique contigus.

EXCEPTIONS : GARANTIE D'USAGE COMMERCIAL OU DE LOCATION

90 jours de main d'œuvre et de pièces à compter de la date d'achat d'origine. Aucune autre garantie ne s'applique.

CE QUI N'EST PAS COUVERT - LES LIMITATIONS SUIVANTES S'APPLIQUENT À LA COUVERTURE DE CETTE GARANTIE. CETTE GARANTIE NE COUVRE PAS :

- Frais de main-d'œuvre pour l'installation, la configuration ou la formation à l'utilisation du produit.
- Dommages liés au transport et tout dommage causé par un emballage inapproprié pour l'expédition à un centre de service agréé, ainsi que tout dommage causé par une tension inappropriée ou toute autre utilisation abusive, y compris un entretien, une manipulation ou une utilisation anormale.
- Dommages esthétiques tels que rayures et bosses.
- Usure normale des pièces ou remplacement de pièces destinées à être remplacées, par ex. filtres, cartouches, piles.
- Déplacements de service pour livraison, ramassage ou réparation ; installer le produit ; ou pour enseigner l'utilisation appropriée du produit.
- Dommages ou problèmes de fonctionnement résultant d'une mauvaise utilisation, d'un abus, d'une utilisation en dehors des spécifications environnementales, d'utilisations contraires aux instructions fournies dans le manuel du propriétaire, d'accidents, de catastrophes naturelles, de vermine, d'incendie, d'inondation, d'installation inappropriée, de service non autorisé, de négligence d'entretien, d'installation ou de modification non autorisée ou utilisation commerciale.
- Frais de main d'œuvre, de service, de transport et d'expédition pour le retrait et le remplacement des pièces défectueuses, au-delà de la période initiale de 24 mois.
- Produits qui ont été modifiés pour fonctionner contrairement aux spécifications sans l'autorisation écrite préalable de Durastar.
- Produits perdus lors du transport ou volés.
- Produits vendus TEL QUEL ou auprès d'un revendeur non autorisé.
- Produits dont les numéros de série ont été supprimés, dégradés ou invalidés.
- Dommages dus à une utilisation autre que normale.
- Remplacement ou réparation de fusibles domestiques, de disjoncteurs, de câblage ou de plomberie.
- Dommages aux biens personnels dus à l'utilisation du produit.
- Dommages causés par un entretien autre que celui d'un centre de réparation Durastar agréé.
- Tuyaux, boutons, bacs à charpie et tous les accessoires, accessoires et pièces jetables.
- Tous les frais de service non spécifiquement identifiés comme normaux, tels que la zone ou les heures de service normales.
- Tout dommage spécial ou consécutif découlant de l'utilisation du produit.

OBTENTION DU SERVICE DE GARANTIE :

Si vous pensez que votre produit est défectueux, contactez le support client Durastar pour obtenir une assistance au dépannage et un service de garantie sur www.Durastar.com ou appelez le 1-866-319-5473. Avant de contacter le service client, vous devez disposer de votre numéro de modèle, de votre numéro de série et d'une preuve d'achat sur demande. Une fois qu'un représentant agréé Durastar a confirmé que votre produit est défectueux et éligible au service de garantie, le produit doit être retourné à un centre de réparation agréé Durastar. Durastar n'est pas responsable des dommages résultant d'une mauvaise manipulation de l'expéditeur ou d'un emballage inapproprié. Ne retournez pas un produit défectueux au lieu d'achat. Les produits reçus sans numéro d'autorisation de retour seront refusés.

CETTE GARANTIE REMPLACE TOUTE AUTRE GARANTIE, EXPRESSE OU IMPLICITE, Y COMPRIS SANS LIMITATION, TOUTE GARANTIE DE QUALITÉ MARCHANDE OU D'ADAPTATION À UN USAGE PARTICULIER. DANS LA MESURE QU'UNE GARANTIE IMPLICITE EST EXIGÉE PAR LA LOI, ELLE EST LIMITÉE EN DURÉE À LA PÉRIODE DE GARANTIE EXPRESSE CI-DESSUS. NI LE FABRICANT NI SES DISTRIBUTEURS NE SERONT RESPONSABLES DE TOUT DOMMAGE ACCESSOIRE, CONSÉCUTIF, INDIRECT, SPÉCIAL OU PUNITIF DE QUELQUE NATURE QUE CE SOIT, Y COMPRIS, SANS LIMITATION, LA PERTE DE REVENUS OU DE PROFITS, OU TOUT AUTRE DOMMAGE BASÉ SUR UN CONTRAT, UN DÉLIT OU AUTRE. EN AUCUN CAS ET EN AUCUNE CIRCONSTANCE DE QUELQUE TYPE QUE CE SOIT, LE VENDEUR, LE FABRICANT ET/OU LE DISTRIBUTEUR NE PEUT ÊTRE RESPONSABLE POUR QUELQUE RAISON, SOUS AUCUNE THÉORIE, DE PLUS QUE LE COÛT DE BASE DU PRODUIT POUR L'ACHETEUR OU L'UTILISATEUR FINAL. CERTAINS ÉTATS N'AUTORISENT PAS L'EXCLUSION DES DOMMAGES ACCESSOIRES OU CONSÉCUTIFS, PAR CONSÉQUENT, L'EXCLUSION CI-DESSUS PEUT NE PAS S'APPLIQUER À VOUS. CETTE GARANTIE VOUS CONFÈRE DES DROITS LÉGAUX SPÉCIFIQUE. VOUS POUVEZ AVOIR D'AUTRES DROITS QUI VARIENT D'UN ÉTAT À L'AUTRE.

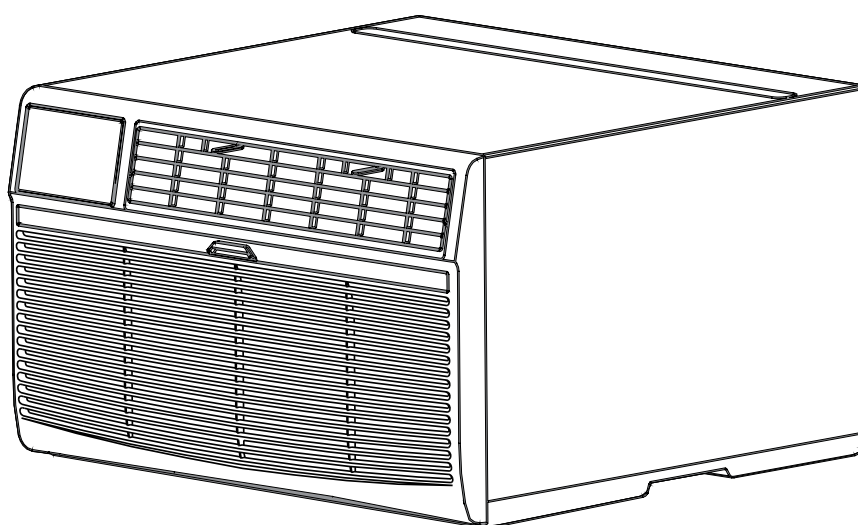
PAGE INTENTIONNELLEMENT LAISSÉE BLANCHE.

MANUAL DEL PROPIETARIO Y DE INSTALACIÓN

AIRE ACONDICIONADO R32 PARA EMPOTRAR EN PARED

115V 60HZ – DRTHC081XNA1, DRTAC081XNA1
DRTAC101XNA1, DRTAC121XNA1

208/230V 60HZ – DRTHC102XNA1, DRTAC102XNA1
DRTHC122XNA1, DRTAC122XNA1
DRTHC142XNA1, DRTAC142XNA1



Número de modelo:

Número de serial:

Fecha de compra:

Nombre de la compañía contratista de instalación



CONSEJO

Antes de proceder a la instalación de su aire acondicionado Durastar, anote la información relevante sobre el mismo para referencias futuras.

TABLA DE CONTENIDOS

INTRODUCCIÓN	77
ADVERTENCIAS	77
TEMPERATURAS DE FUNCIONAMIENTO	85
SPECIFICATIONS	86
ACCESORIOS	87
IDENTIFICACIÓN DE LAS PIEZAS	88
DIMENSIONES DE LAS PIEZAS	89
DESCRIPCIÓN GENERAL DE LA INSTALACIÓN	89
PASOS PREVIOS A LA INSTALACIÓN	89
PREPARE LA MANGA DE PARED Y EL CABLE DE CONEXIÓN A TIERRA	89
INSTALE LA REJILLA DE ALUMINIO	92
FIJE LOS SELLOS A LA MANGA DE PARED	94
PASOS PARA LA INSTALACIÓN	96
FIJE LAS PIEZAS DEL MARCO FRONTAL	96
INSERTE EL SELLO PRINCIPAL (N.º 9)	96
INSERTE EL AIRE ACONDICIONADO EN LA MANGA DE PARED	97
PANEL DE CONTROL	98
PANTALLA DIGITAL	100
CÓDIGOS DE ERROR	100
REMOTE CONTROL	101
REMOTE DISPLAY	102
FUNCIONAMIENTO REMOTO	102
LÁMINAS DE ORIENTACIÓN DEL AIRE	107
MAINTENANCE	107
LIMPIEZA DEL FILTRO DE AIRE	107
LIMPIEZA DEL GABINETE	108
SONIDOS NORMALES	108
GUÍA PARA EL AHORRO DE ENERGÍA	108
LOCALIZACIÓN Y SOLUCIÓN DE PROBLEMAS	109
GARANTÍA DURASTAR	111

INTRODUCCIÓN

Para prestarle un mejor servicio, haga lo siguiente antes de ponerse en contacto con el servicio de atención al cliente:

- Si ha recibido un producto dañado, póngase en contacto inmediatamente con el minorista o distribuidor que le vendió el producto.
- Lea y siga atentamente este manual para ayudarle a utilizar y mantener su aire acondicionado.
- Lea la sección de localización y solución de problemas de este manual. Le ayudará a diagnosticar y resolver problemas comunes.
- Visítenos en Internet en www.durastar.com para descargar guías de productos e información actualizada.
- Si necesita servicio de garantía, nuestros amables representantes del servicio de atención al cliente están a su disposición por correo electrónico en service@care.durastar.com o por teléfono en el 1-888-320-0706.

ADVERTENCIAS

SÍMBOLOS UTILIZADOS EN ESTE MANUAL



El símbolo de advertencia indica información de precaución para el usuario. Deben tomarse precauciones y cuidados adicionales para garantizar la seguridad del usuario.



El lápiz indica notas del fabricante relacionadas con el contenido. Éstas pueden incluir aclaraciones o llamadas de atención adicionales.



Un símbolo de bombilla indica los consejos sugeridos por el fabricante para que el usuario obtenga el máximo rendimiento del equipo Durastar y se adapte a la mejor experiencia de usuario.



PRECAUCIÓN:
Riesgo de incendio
Materiales inflamables

NOTA IMPORTANTE: Lea este manual detenidamente antes de instalar u operar su nuevo artefacto. Asegúrese de guardar este manual para futuras referencias.

	PRECAUCIÓN	Este símbolo muestra que el manual de operación debe leerse cuidadosamente.
	PRECAUCIÓN	Este símbolo muestra que un personal de servicio debe manipular este equipo con Consulte el manual de instalación.
	PRECAUCIÓN	Este símbolo muestra que hay información disponible, como el manual de instrucciones o Manual de instalación.

ADVERTENCIAS

- El servicio solo se realizará según lo recomendado por el fabricante del equipo. El mantenimiento y las reparaciones que requieran la asistencia de otro personal calificado deberán realizarse bajo la supervisión de una persona competente en el uso de refrigerantes inflamables.
- NO modifique la longitud del cable de suministro de energía ni utilice un cable de extensión para alimentar la unidad.
- NO comparta un tomacorriente individual con otros artefactos eléctricos. Un suministro de energía inadecuado o insuficiente puede provocar un incendio o una descarga eléctrica.
- Siga cuidadosamente las instrucciones al manipular, instalar, limpiar y dar servicio al aire acondicionado para evitar cualquier daño o riesgo. El refrigerante inflamable R32 se utiliza dentro del aire acondicionado.
- Al realizar el mantenimiento o la eliminación del aire acondicionado, el refrigerante (R32) deberá recuperarse adecuadamente. No lo descargue directamente al aire.
- Se observará el cumplimiento de los reglamentos nacionales sobre gases.
- Mantenga las aberturas de ventilación libres de obstrucciones.
- El artefacto se deberá almacenar de manera que se eviten daños mecánicos.
- El artefacto se deberá almacenar en un área bien ventilada donde el tamaño de la habitación corresponda al área de la habitación especificada para su funcionamiento.
- Cualquier persona que participe en trabajos o acceso a un circuito de refrigerante debe tener un certificado válido y vigente de una autoridad de evaluación acreditada por la industria, que autorice su competencia para manipular refrigerantes de manera segura de acuerdo con una especificación de evaluación reconocida por la industria. Toda la capacitación deberá seguir los requisitos del ANEXO HH de la norma UL 60335-2-40, cuarta edición.
- Ejemplos de estos procedimientos de trabajo son:
 - irrumpir en el circuito de refrigeración;
 - apertura de componentes sellados;
 - Apertura de recintos ventilados.
- No debe haber fuego abierto ni interruptor tipo dispositivo que pueda generar chispas/arcs alrededor del aire acondicionado para evitar provocar la ignición del refrigerante inflamable utilizado. Siga cuidadosamente las instrucciones para almacenar o mantener el aire acondicionado para evitar que se produzcan daños mecánicos.
- No utilice medios para acelerar el proceso de descongelación o para limpiar, distintos a los recomendados por el fabricante.
- El artefacto debe almacenarse en una habitación sin fuentes de ignición que funcionen continuamente (por ejemplo: llamas abiertas, un artefacto de gas en funcionamiento) y fuentes de ignición o (por ejemplo: una calefacción eléctrica en funcionamiento) cerca del artefacto.
- No lo perfore ni incinere.
- Tenga en cuenta que los refrigerantes puede que no contengan olor.

TRANSPORTE DE UN EQUIPO QUE CONTENGA REFRIGERANTES INFLAMABLES

Consulte los reglamentos de transporte.

MARCADO DE EQUIPOS MEDIANTE SEÑALES

Consulte los reglamentos locales.

ELIMINACIÓN DE EQUIPOS QUE UTILIZAN REFRIGERANTES INFLAMABLES

Consulte los reglamentos nacionales.

ALMACENAMIENTO DE EQUIPOS/ARTEFACTOS

El almacenamiento del artefacto debe realizarse de acuerdo con la normativa o las instrucciones aplicables, según cuál sea más estricta.

ALMACENAMIENTO DE EQUIPOS EMPAQUETADOS (NO VENDIDOS)

La protección del paquete de almacenamiento debe construirse de manera que los daños mecánicos al equipo dentro del paquete no causen una fuga de la carga del refrigerante. La cantidad máxima de equipos que se permitirá almacenar juntos estará determinada por los reglamentos locales.

INFORMACIÓN SOBRE EL SERVICIO**1. VERIFICACIONES EN EL ÁREA**

Antes de comenzar a trabajar en sistemas que contienen refrigerantes inflamables, es necesario realizar controles de seguridad para garantizar que se minimice el riesgo de ignición. Para reparar el sistema de refrigeración, se deben cumplir las siguientes precauciones antes de realizar trabajos en el sistema.

2. PROCEDIMIENTO DE TRABAJO

El trabajo se llevará a cabo bajo un procedimiento controlado para minimizar el riesgo de que un gas o vapor inflamable esté presente mientras se realiza el trabajo.

3. ÁREA DE TRABAJO GENERAL

Todo el personal de mantenimiento y otras personas que trabajen en el área local deberán recibir instrucciones sobre la naturaleza del trabajo que se está realizando. Se evitará el trabajo en espacios reducidos. Se seccionará el entorno del espacio de trabajo. Asegúrese de que las condiciones dentro del área sean seguras mediante el control del material inflamable.

4. COMPROBACIÓN DE LA PRESENCIA DE REFRIGERANTE

El área se verificará con un detector de refrigeración apropiado antes y durante el trabajo, para garantizar que el técnico esté consciente de atmósferas potencialmente inflamables. Asegúrese de que el equipo de detección fuga utilizado es adecuado para su uso con refrigerantes inflamables, es decir, que no produzca chispas, esté adecuadamente sellado o sea intrínsecamente seguro.

5. PRESENCIA DE EXTINTOR DE FUEGO

Si se va a realizar algún trabajo en caliente en el equipo de refrigeración o en cualquier pieza asociada, deberá estar disponible el equipo de extinción de incendios adecuado. Tenga un extintor de polvo seco de CO₂ para fuego cercano al área de carga.

6. SIN FUENTES DE IGNICIÓN

Ninguna persona que realice trabajos relacionados con un sistema de refrigeración que implique exponer cualquier tubería que contenga o haya contenido refrigerante inflamable deberá utilizar fuentes de ignición de tal manera que pueda generar riesgo de incendio o explosión. Todas las posibles fuentes de ignición, incluido fumar, deben mantenerse alejadas del lugar de instalación, reparación, extracción y eliminación, ya que es posible que se libere refrigerante inflamable al espacio circundante. Antes de realizar el trabajo, se debe inspeccionar el área alrededor del equipo para asegurarse de que no existan riesgos de inflamación o ignición. Se deberán colocar carteles de Prohibido Fumar.

7. ÁREA VENTILADA

Asegúrese de que el área esté al aire libre o adecuadamente ventilada antes de irrumpir en el sistema o realizar cualquier trabajo con calor. Se deberá mantener cierto grado de ventilación durante el período en que el trabajo se lleva a cabo. La ventilación debe dispersar de forma segura cualquier refrigerante liberado y preferiblemente expulsarlo hacia el exterior, a la atmósfera.

8. COMPROBACIONES AL EQUIPO REFRIGERANTE

Cuando se cambien componentes eléctricos, deberán ser adecuados para el propósito y con las especificaciones correctas. En todo momento se seguirán las pautas de mantenimiento y servicio del fabricante. En caso de duda consulte al departamento técnico del fabricante para obtener ayuda. En las instalaciones que utilicen refrigerantes inflamables se aplicarán los siguientes controles:

- La carga de refrigerante al momento depende del tamaño de la habitación donde están instaladas las piezas que contienen refrigerante;

- La maquinaria de ventilación y las salidas están funcionando adecuadamente y no están obstruidas;
- Si se utiliza un circuito de refrigeración indirecto, se deberá verificar la presencia de refrigerante en el circuito secundario;
- Las marcas en el equipo siguen siendo visibles y legibles. Se corregirán las marcas y signos que sean ilegibles;
- Las tuberías o componentes de refrigeración se instalan en una posición donde es poco probable que queden expuestos a cualquier sustancia que pueda corroer los componentes que contienen refrigerante, a menos que los componentes estén contruidos con materiales que sean inherentemente resistentes a la corrosión o estén adecuadamente protegidos contra la corrosión.

9. COMPROBACIONES DE DISPOSITIVOS ELÉCTRICOS

La reparación y el mantenimiento de componentes eléctricos incluirán comprobaciones de seguridad iniciales y procedimientos de inspección de componentes. Si existe una falla que pueda comprometer la seguridad, no se conectará ningún suministro eléctrico al circuito hasta que se solucione satisfactoriamente. Si la falla no puede corregirse inmediatamente pero es necesario continuar con la operación, se deberá utilizar una solución temporal adecuada. Esto se informará al propietario del equipo para que todas las partes estén informadas.

Los controles de seguridad iniciales incluirán:

- Que los condensadores estén descargados, esto se hará de forma segura para evitar la posibilidad de que se produzcan chispas;
- Que no haya ningún cableado ni componentes eléctricos activos expuestos durante la carga, recuperación o purga del sistema;
- Que haya continuidad de la conexión a tierra.



Nota

El uso de sellador de silicona puede inhibir la eficacia de algunos tipos de equipos de detección de fugas.

LOS COMPONENTES ELÉCTRICOS SELLADOS SE CAMBIARÁN

LOS COMPONENTES INTRÍNECAMENTE SEGUROS DEBEN SUSTITUIRSE

Los componentes intrínsecamente seguros no necesitan aislarse antes de trabajar en ellos.

No aplique ninguna carga inductiva o capacitancia permanente al circuito sin asegurarse de que no exceda el voltaje y la corriente permitidos para el equipo en uso.

Los componentes intrínsecamente seguros son los únicos tipos en los que se puede trabajar mientras están activos en presencia de una atmósfera inflamable. El artefacto de prueba deberá tener la clasificación correcta. Reemplace los componentes únicamente con piezas especificadas por el fabricante. Otras piezas pueden provocar la ignición del refrigerante en la atmósfera debido a una fuga

CABLEADO

Verifique que el cableado no esté sujeto a desgaste, corrosión, presión excesiva, vibración, bordes afilados o cualquier otro efecto ambiental adverso. La verificación también deberá tener en cuenta los efectos del envejecimiento o la vibración continua de fuentes como compresores o ventiladores.

DETECCIÓN DE REFRIGERANTES INFLAMABLES

Bajo ninguna circunstancia se utilizarán fuentes potenciales de ignición en la búsqueda o detección de fugas de refrigerante. No se utilizará un soplete de halógenos (ni cualquier otro detector que utilice una llama abierta). Los siguientes métodos de detección de fugas se consideran aceptables para sistemas que contienen refrigerantes inflamables.

Se utilizarán detectores de fugas electrónicos para detectar refrigerantes inflamables, pero es posible que la sensibilidad no sea adecuada o que sea necesario recalibrarla. (El equipo de detección deberá calibrarse en un área libre de refrigerante). Asegúrese de que el detector no sea una fuente potencial de ignición y que sea adecuado para el refrigerante utilizado. El equipo de detección de fugas se configurará en un porcentaje del LFL del refrigerante y se calibrará según el refrigerante empleado y se confirmará el porcentaje apropiado de gas (25% como máximo).

Los fluidos de detección de fugas son adecuados para su uso con la mayoría de los refrigerantes, pero se debe evitar el uso de detergentes que contengan cloro, ya que el cloro puede reaccionar con el refrigerante y corroer las tuberías de cobre.

Si se sospecha de una fuga, se deberán eliminar/extinguir todas las llamas descubiertas. Si se encuentra una fuga de refrigerante que requiere soldadura, todo el refrigerante deberá recuperarse del sistema o aislarse (mediante válvulas de cierre) en una parte del sistema alejada de la fuga. La eliminación del refrigerante se realizará de acuerdo

con la Remoción y Evacuación.

REMOCIÓN Y EVACUACIÓN

Al ingresar en el circuito frigorífico para realizar reparaciones, o para cualquier otro fin, se utilizarán los procedimientos convencionales. Sin embargo, para los refrigerantes inflamables es importante seguir las mejores prácticas, ya que la inflamabilidad es una consideración. Se deberá seguir el siguiente procedimiento:

- a) Remoción del refrigerante de forma segura siguiendo los reglamentos locales y nacionales.
- b) Evacuación.
- c) Purga del circuito con gas inerte. (opcional para A2L)
- d) Evacuación. (opcional para A2L)
- e) Lavado o purga de forma continua con gas inerte cuando se utiliza una llama para abrir el circuito.
- f) Apertura del circuito.

La carga de refrigerante deberá recuperarse en los cilindros de recuperación correctos si los códigos locales y nacionales no permiten la ventilación. Para equipos que contienen refrigerantes inflamables, el sistema se purgará con nitrógeno libre de oxígeno para que el artefacto sea seguro para refrigerantes inflamables. Es posible que sea necesario repetir este proceso varias veces.

No se utilizará aire comprimido ni oxígeno para purgar los sistemas de refrigerante. Para artefactos que contienen refrigerantes inflamables, la purga de refrigerantes se debe lograr rompiendo el vacío en el sistema con nitrógeno libre de oxígeno y continuando el llenado hasta que se alcance la presión de trabajo, ventilando entonces hacia y finalmente bajando al punto de vacío (opcional para A2L). Este proceso deberá repetirse hasta que no haya refrigerante dentro del sistema (opcional para A2L). Cuando se utilice la carga final de nitrógeno libre de oxígeno, el sistema deberá ventilarse a presión atmosférica para permitir que se realice el trabajo. Asegúrese de que el tomacorriente de la bomba de vacío no esté cerca de ninguna fuente potencial de ignición y de que haya ventilación disponible

PROCEDIMIENTOS DE CARGA

Además de los procedimientos de carga convencionales, se seguirán los siguientes requisitos.

- Asegúrese de que no se produzca contaminación de diferentes refrigerantes al utilizar el equipo de carga.
- Las mangueras o líneas serán lo más cortas posible para minimizar la cantidad de refrigerante que contienen.
- Los cilindros se mantendrán en una posición adecuada según las instrucciones.
- Asegúrese de que el sistema de refrigeración esté conectado a tierra antes de cargarlo con refrigerante.
- Etiquete el sistema cuando se complete la carga (si aún no lo ha hecho).
- Se tendrá mucho cuidado de no llenar demasiado el sistema de refrigeración.
- Antes de recargar el sistema, se realizará una prueba de presión con nitrógeno.
- El sistema se someterá a una prueba de fugas al finalizar la carga pero antes de la puesta en servicio.
- Se realizará una prueba de fugas de seguimiento antes de abandonar el sitio.

DESMANTELAMIENTO

Antes de realizar este procedimiento es imprescindible que el técnico esté completamente familiarizado con el equipo y todos sus detalles. Se recomienda una buena práctica para recuperar todos los refrigerantes de forma segura. Antes de realizar la tarea, se tomará una muestra de aceite y refrigerante en caso de que sea necesario un análisis antes de la reutilización del refrigerante recuperado. Es esencial que haya energía eléctrica disponible antes de comenzar la tarea.

- Familiarícese con el equipo y su funcionamiento.
- Aisle eléctricamente el sistema.
- Antes de intentar el procedimiento, asegúrese de que:
 - Está disponible el equipo de manipulación mecánica, si es necesario, para manipular cilindros de refrigerante.
 - Todos los equipos de protección personal están disponibles y se utilizan correctamente.
 - El proceso de recuperación está supervisado en todo momento por una persona competente.
 - Los equipos de recuperación y cilindros se ajustan a las normas correspondientes.
- Bombee el sistema de refrigerante, si es posible.
- Si no es posible lograr un vacío, haga un colector para que se pueda eliminar el refrigerante de varias partes del sistema.
- Asegúrese de que el cilindro esté situado en la báscula antes de que se lleve a cabo la recuperación.

- Inicie la máquina de recuperación y opere de acuerdo con las instrucciones.
- No llene demasiado los cilindros. (No más de 80 % del volumen de carga líquida).
- No exceda la presión máxima de trabajo del cilindro, ni siquiera momentáneamente.
- Cuando los cilindros se hayan llenado correctamente y el proceso se haya completado, asegúrese de que los cilindros y el equipo se retiren del sitio rápidamente y que todas las válvulas de aislamiento del equipo estén cerradas.
- El refrigerante recuperado no se cargará en otro sistema de refrigeración a menos que haya sido limpiado y revisado.

ETIQUETADO

El equipo deberá estar etiquetado indicando que ha sido dado de baja y vaciado de refrigerante. La etiqueta deberá estar fechada y firmada.

Asegúrese de que haya etiquetas en el equipo que indiquen que el equipo contiene refrigerante inflamable.

RECUPERACIÓN

Al retirar refrigerante de un sistema, ya sea para realizar tareas de mantenimiento o desmantelamiento, se recomienda como buena práctica retirar todos los refrigerantes de forma segura. Al transferir refrigerante a cilindros, asegúrese de utilizar únicamente cilindros de recuperación de refrigerante adecuados. Asegúrese de que esté disponible la cantidad correcta de cilindros para mantener la carga total del sistema. Todos los cilindros que se utilizarán están designados para el refrigerante recuperado y etiquetados para ese refrigerante (es decir, cilindros especiales para la recuperación de refrigerante).

Los cilindros deberán estar completos con válvula de alivio de presión y válvulas de cierre asociadas en buen estado de funcionamiento. Los cilindros de recuperación vacíos se evacúan y, si es posible, se enfrían antes de que se produzca la recuperación.

El equipo de recuperación deberá estar en buen estado de funcionamiento con un conjunto de instrucciones relativas al equipo que se tenga a mano y será adecuado para la recuperación de refrigerantes inflamables. Además, se deberá disponer de un juego de balanzas calibradas y en buen estado de funcionamiento. Las mangueras deberán estar completas con acoplamientos de desconexión sin fugas y en buenas condiciones.

Antes de utilizar la máquina de recuperación, verifique que esté en buen estado de funcionamiento, que haya recibido el mantenimiento adecuado y que todos los componentes eléctricos asociados estén sellados para evitar la ignición en caso de fuga de refrigerante. Consulte al fabricante en caso de duda. El refrigerante recuperado se devolverá al proveedor de refrigerante en el cilindro de recuperación correcto y se redactará la Nota de transferencia de residuos correspondiente.

No mezcle refrigerantes en unidades de recuperación y especialmente en cilindros.

Si se van a retirar compresores o aceites para compresores, asegúrese de que se hayan evacuado a un nivel aceptable para asegurarse de que no quede refrigerante inflamable dentro del lubricante. El proceso de evacuación se realizará previo a la devolución del compresor a los proveedores. Solo se empleará calefacción eléctrica del cuerpo del compresor para acelerar este proceso. Cuando se drene aceite de un sistema, se deberá realizar de forma segura.

Los artefactos no conectados a conductos que contienen refrigerantes A2L con aberturas de suministro y retorno de aire en el espacio acondicionado pueden tener el cuerpo del artefacto instalado en áreas abiertas, como cielos rasos, que no se utilizan como cámaras de aire de retorno, siempre y cuando el aire acondicionado no se comunique directamente con el aire del cielo raso.



SEGURIDAD GENERAL

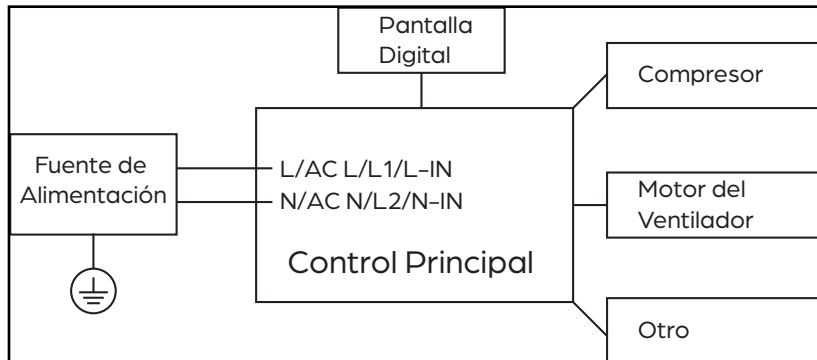
- Los niños y las personas con capacidades físicas, sensoriales o mentales reducidas, o con falta de experiencia y conocimientos, solo deben utilizar este aire acondicionado si están bajo supervisión o reciben instrucciones relativas al uso del aire acondicionado de forma segura y comprenden los riesgos que conlleva.
- Los niños no deben jugar con el aire acondicionado.
- Apague el interruptor de alimentación principal cuando no utilice la unidad durante un período prolongado; el incumplimiento de las instrucciones podría provocar fallas en el producto o incendio.
- Ventile la habitación antes de poner a funcionar el aire acondicionado, si hay una fuga de gas de otro aparato. Podría provocar explosiones, incendios y quemaduras.
- Ventile bien la habitación cuando la utilice junto con una estufa, etc. Podría producirse una insuficiencia de oxígeno.
- No se siente ni permanezca de pie directamente frente a la salida de aire frío durante un período prolongado; podría perjudicar su salud.
- Cuando vaya a limpiar la unidad, apáguela y desconecte el disyuntor.
- No limpie la unidad cuando esté encendida, ya que podría provocar un incendio, una descarga eléctrica o lesiones.
- No utilice detergentes fuertes para limpiar la unidad; el aspecto de la unidad puede verse afectado o rayarse.
- Utilice un paño suave para limpiar la unidad.
- No limpie el aire acondicionado con agua; el agua puede entrar en la unidad y degradar el aislamiento o provocar una descarga eléctrica.
- Al retirar el filtro de aire, no toque las partes metálicas de la unidad; son afiladas y podrían causar lesiones.
- Siempre funcione la unidad con los filtros. Sin los filtros, el aire acondicionado podría fallar.
- Limpie el filtro cada dos semanas.
- Al manipular la unidad, tenga cuidado de evitar cortes con bordes metálicos afilados y aletas de aluminio en los serpentines delanteros y posteriores.
- No utilice este artefacto para fines distintos de los previstos.
- No utilice este aire acondicionado para conservar dispositivos de precisión, alimentos, mascotas, plantas u objetos de arte; podría causar deterioro de la calidad, etc.
- No coloque obstáculos alrededor de las entradas de aire o dentro de la salida de aire; puede causar fallas en la unidad.
- No beba agua drenada del aire acondicionado; contiene contaminantes y podría enfermarle.
- Tenga cuidado al desembalar e instalar. Los bordes afilados podrían provocar lesiones.
- Detenga el funcionamiento y cierre las ventanas en caso de tormenta o huracán. Funcionar con las ventanas abiertas puede permitir que entre agua.
- No ponga a funcionar su aire acondicionado en un cuarto húmedo como un baño o cuarto de lavado.
- Mantenga las armas de fuego alejadas de la unidad; podrían provocar un incendio.
- No almacene ni utilice gasolina u otros vapores y líquidos inflamables cerca de este o cualquier otro artefacto eléctrico.
- No haga funcionar el aire acondicionado sin la cubierta protectora lateral colocada. Esto podría provocar daños mecánicos dentro del aire acondicionado.
- Asegúrese de que el soporte de instalación del aparato exterior no sufra daños debido a una exposición prolongada. Si el soporte está dañado, existe el riesgo de que se produzcan daños debido a la caída de la unidad.
- No manipule las láminas con sus manos. Esto podría causar una lesión. Utilice la pestaña de control de las láminas para cambiar la dirección de la ventilación.



SEGURIDAD ELÉCTRICA

- Desenchufe la unidad si sale de ella sonidos, olores o humo extraños; el incumplimiento de las instrucciones podría provocar una descarga eléctrica o un incendio.
- Instale siempre un disyuntor y un circuito de alimentación exclusivo; el incumplimiento de las instrucciones podría provocar una descarga eléctrica o un incendio.
- No utilice la unidad con las manos mojadas o en un entorno húmedo; podría provocar una descarga eléctrica.
- No permita que el agua penetre en las piezas eléctricas; podría provocar averías en la unidad.

- Si entra agua en la unidad, apáguela en el tomacorriente y desconecte el disyuntor. Aísle el suministro desconectando el enchufe. Póngase en contacto con un técnico de servicio calificado.
- No abra la unidad durante el funcionamiento; podría provocar una descarga eléctrica.
- No utilice un enchufe eléctrico si está suelto o dañado; podría provocar un incendio y una descarga eléctrica.
- No desarme ni modifique la unidad; podría causar fallas y descargas eléctricas.
- Instale de acuerdo con las regulaciones nacionales de cableado y los requisitos NEC y CEC.
- El cableado doméstico de aluminio puede presentar problemas especiales; consulte a un electricista calificado.
- Los aparatos con calefacciones eléctricas deberán tener un espacio de despeje de al menos tres pies (un metro) respecto de materiales combustibles.

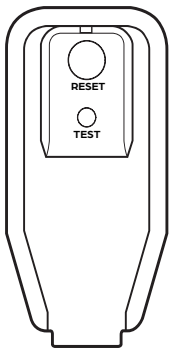


ADVERTENCIA: Siga estrictamente la etiqueta de cableado adjunta a la máquina para todas las conexiones de cableado. El diagrama de cableado descrito anteriormente es una versión simplificada para fines ilustrativos preliminares solamente.



CABLE DE SUMINISTRO DE ENERGÍA

El cable de suministro de energía contiene un dispositivo de corriente que detecta daños en el cable de suministro de energía. Para comprobar el cable del suministro de energía, haga lo siguiente:



1. Pulse el botón RESET (REINICIAR).
2. Enchufe el aire acondicionado.
3. Pulse el botón TEST (PRUEBA). Notará un clic cuando salga el botón RESET (REINICIAR).
4. Pulse el botón RESET (REINICIAR). De nuevo, notará un clic cuando el botón encaje.
5. El cable de suministro de energía está suministrando ahora electricidad a la unidad. (En algunos productos esto también se indica mediante una luz en el cabezal del enchufe).

NO UTILICE EL AIRE ACONDICIONADO SI ESTA PRUEBA FALLA.

- No ponga en funcionamiento ni detenga la unidad insertando o desconectando el enchufe de alimentación; el incumplimiento de las instrucciones podría provocar una descarga eléctrica o un incendio.
- Asegúrese siempre de que el botón RESET (REINICIAR) está pulsado para un funcionamiento correcto.
- El cable de suministro de energía debe ser reemplazado si no se reinicia al pulsar el botón TEST (PRUEBA) o si no puede reiniciarse. Puede solicitar uno nuevo a Durastar.
- Si el cable de suministro de energía está dañado, no se puede reparar. DEBE ser reemplazado por uno adquirido de Durastar.
- Conecte correctamente el enchufe de alimentación de la unidad; el incumplimiento de las instrucciones podría provocar una descarga eléctrica o un incendio.
- Sostenga el enchufe por el cabezal del enchufe cuando lo desconecte; el incumplimiento de las instrucciones podría provocar descargas eléctricas y daños.
- Asegúrese de que el cable de alimentación no esté aprisionado; el incumplimiento de las instrucciones podría provocar una descarga eléctrica o un incendio.

- No modifique la longitud del cable de alimentación; el incumplimiento de las instrucciones podría provocar una descarga eléctrica o un incendio.
- No dañe el cable de alimentación, ni use un cable de alimentación sin especificaciones o un enchufe adaptador; el incumplimiento de las instrucciones podría provocar una descarga eléctrica o un incendio.
- No ponga el cable de alimentación cerca de artefactos que calienten; el incumplimiento de las instrucciones podría provocar una descarga eléctrica o un incendio.
- No utilice el cable de alimentación cerca de gases inflamables o combustibles, como gasolina, benceno, diluyente, etc.; podría provocar una explosión o un incendio.
- No comparta el tomacorriente con otros electrodomésticos; el incumplimiento de las instrucciones podría provocar una descarga eléctrica o un incendio.
- ASEGÚRESE DE QUE EL SERVICIO ELÉCTRICO SEA EL ADECUADO PARA EL MODELO QUE HA ELEGIDO. ESTA INFORMACIÓN SE ENCUENTRA EN LA PLACA DEL SERIAL, SITUADA EN EL LATERAL DEL GABINETE Y DETRÁS DE LA REJILLA.grille.
- Su aire acondicionado se debe conectar a un tomacorriente de pared debidamente conectado a tierra. Si el receptáculo de pared que desea usar no está debidamente conectado a tierra o protegido por un fusible con retardo de tiempo o un disyuntor, haga que un electricista calificado instale el tomacorriente adecuado. Asegúrese de que el tomacorriente sea accesible después de la instalación de la unidad.
- Siempre verifique que la conexión a tierra esté correcta; una conexión a tierra incorrecta podría ocasionar una descarga eléctrica. El cable de alimentación está equipado con un enchufe de tres pines con toma de conexión a tierra para protegerlo contra descargas eléctricas.

ADVERTENCIA



- No use un cable de extensión o un enchufe adaptador.
- Bajo ninguna circunstancia corte, elimine o derive los terminales de conexión a tierra del enchufe.

TEMPERATURAS DE FUNCIONAMIENTO

Su aire acondicionado está diseñado para funcionar en las siguientes temperaturas interiores y exteriores. Cuando su aire acondicionado se utiliza fuera de los siguientes rangos de temperatura, el rendimiento puede verse reducido.

RANGOS DE TEMPERATURA

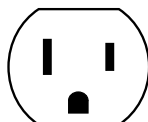
	COOL MODE (MODO DE ENFRIAMIENTO)	HEAT MODE (MODO DE CALENTAMIENTO)
TEMPERATURA DEL AIRE INTERIOR	62 °F - 90 °F (17 °C - 32 °C)	32 °F -80 °F (0 °C - 27 °C)
TEMPERATURA DEL AIRE EXTERIOR	64 °F - 109 °F (18 °C - 43 °C)	23 °F - 76 °F (-5 °C - 24 °C)

PARA OPTIMIZAR AÚN MÁS EL RENDIMIENTO DE SU UNIDAD, HAGA LO SIGUIENTE:

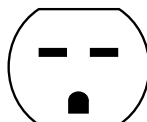
- Mantenga las puertas y las ventanas cerradas.
- Limite el uso de la energía con las funciones TIMER ON (TEMPORIZADOR ENCENDIDO) y TIMER OFF (TEMPORIZADOR APAGADO).
- No bloquee las entradas y salidas de aire.
- Inspeccione y limpie con regularidad los filtros de aire.

TIPOS DE ENCHUFES

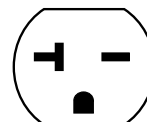
NEMA 5-15P



NEMA 6-15P



NEMA 6-20P



SPECIFICATIONS

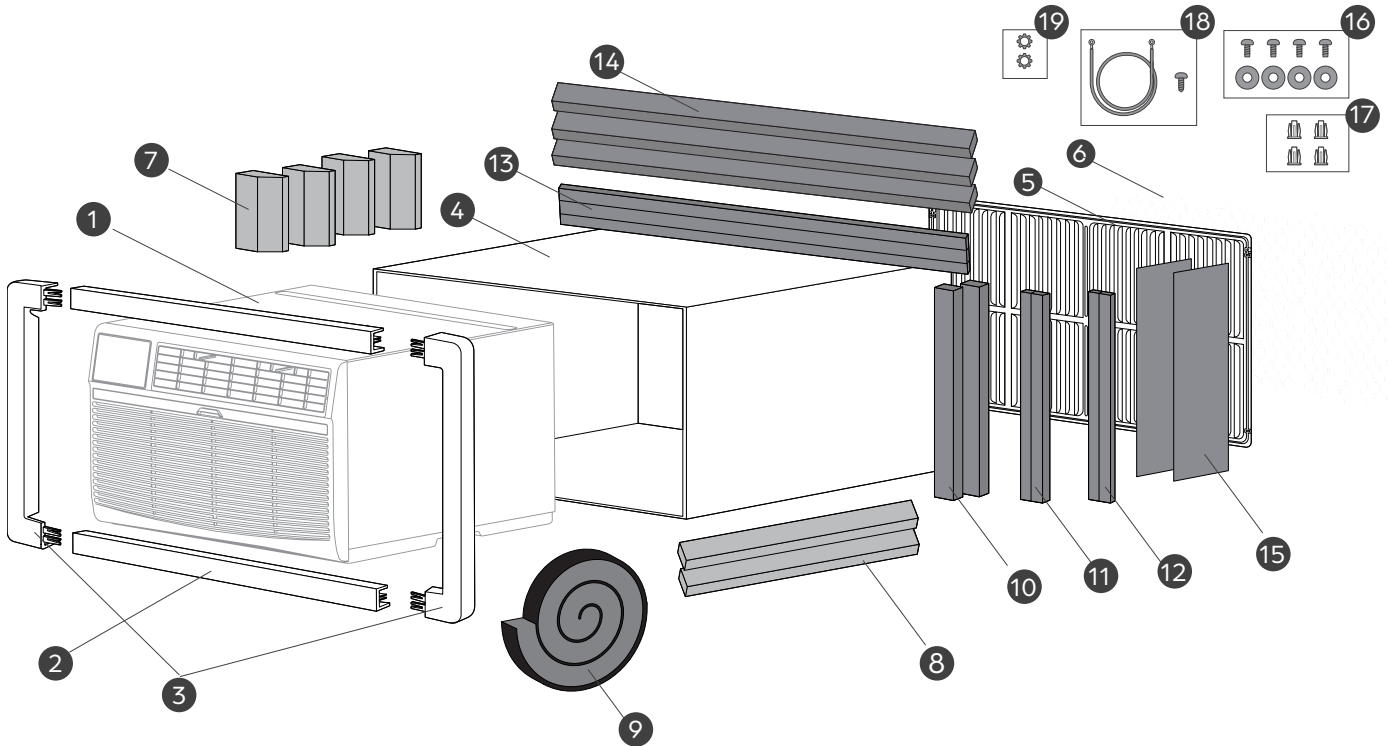
MODELO	VOLTAJE/ FRECUENCIA	TIPO DE ENCHUFE (NEMA)	BTU/H ENFRIAMIENTO	BTU/H CALEFACCIÓN	CORRIENTE (A) ENFRIAMIENTO (CALEFACCIÓN)	REFRIGERANTE
DRTHC081XNA1	115V/60HZ	NEMA 6-15P	8,000	4,200	9.4; (12.0)	R32
DRTHC102XNA1	208-230V/60HZ	NEMA 6-20P	10,000/ 9,800	10,600/ 8,600	5.4/6.0; (15.0/14.0)	R32
DRTHC122XNA1	208-230V/60HZ	NEMA 6-20P	12,000/ 11,700	10,600/ 8,600	6.5/7.0; (15.0/14.0)	R32
DRTHC142XNA1	208-230V/60HZ	NEMA 6-20P	14,000/ 13,600	10,600/ 8,600	7.9/8.5; (15.0/14.0)	R32
DRTAC081XNA1	115V/60HZ	NEMA 5-15P	8,000	N/D	7.10	R32
DRTAC101XNA1	115V/60HZ	NEMA 5-15P	10,000	N/D	8.70	R32
DRTAC102XNA1	208-230V/60HZ	NEMA 6-15P	10,000	N/D	4.6/4.9	R32
DRTAC121XNA1	115V/60HZ	NEMA 5-15P	12,000	N/D	11.00	R32
DRTAC122XNA1	208-230V/60HZ	NEMA 6-15P	12,000	N/D	5.2/5.6	R32
DRTAC142XNA1	208-230V/60HZ	NEMA 6-15P	14,000/ 13,600	n/a	7.0/7.7	R32

MODELO	PESO NETO	DIMENSIONES (A X P X AL)
DRTHC081XNA1	67 LB	24-1/4" x 20-1/4" x 14-1/2"
DRTHC102XNA1	68 lb	24-1/4" x 20-1/4" x 14-1/2"
DRTHC122XNA1	75 LB	24-1/4" x 20-1/4" x 14-1/2"
DRTHC142XNA1	77 LB	24-1/4" x 20-1/4" x 14-1/2"
DRTAC081XNA1	63 LB	24-1/4" x 20-1/4" x 14-1/2"
DRTAC101XNA1	67 LB	24-1/4" x 20-1/4" x 14-1/2"
DRTAC102XNA1	67 LB	24-1/4" x 20-1/4" x 14-1/2"
DRTAC121XNA1	73 LB	24-1/4" x 20-1/4" x 14-1/2"
DRTAC122XNA1	73 LB	24-1/4" x 20-1/4" x 14-1/2"
DRTAC142XNA1	75 LB	24-1/4" x 20-1/4" x 14-1/2"

ACCESORIOS

ACCESORIOS PARA LA INSTALACIÓN INCLUIDOS

El sistema de aire acondicionado viene con los siguientes accesorios.

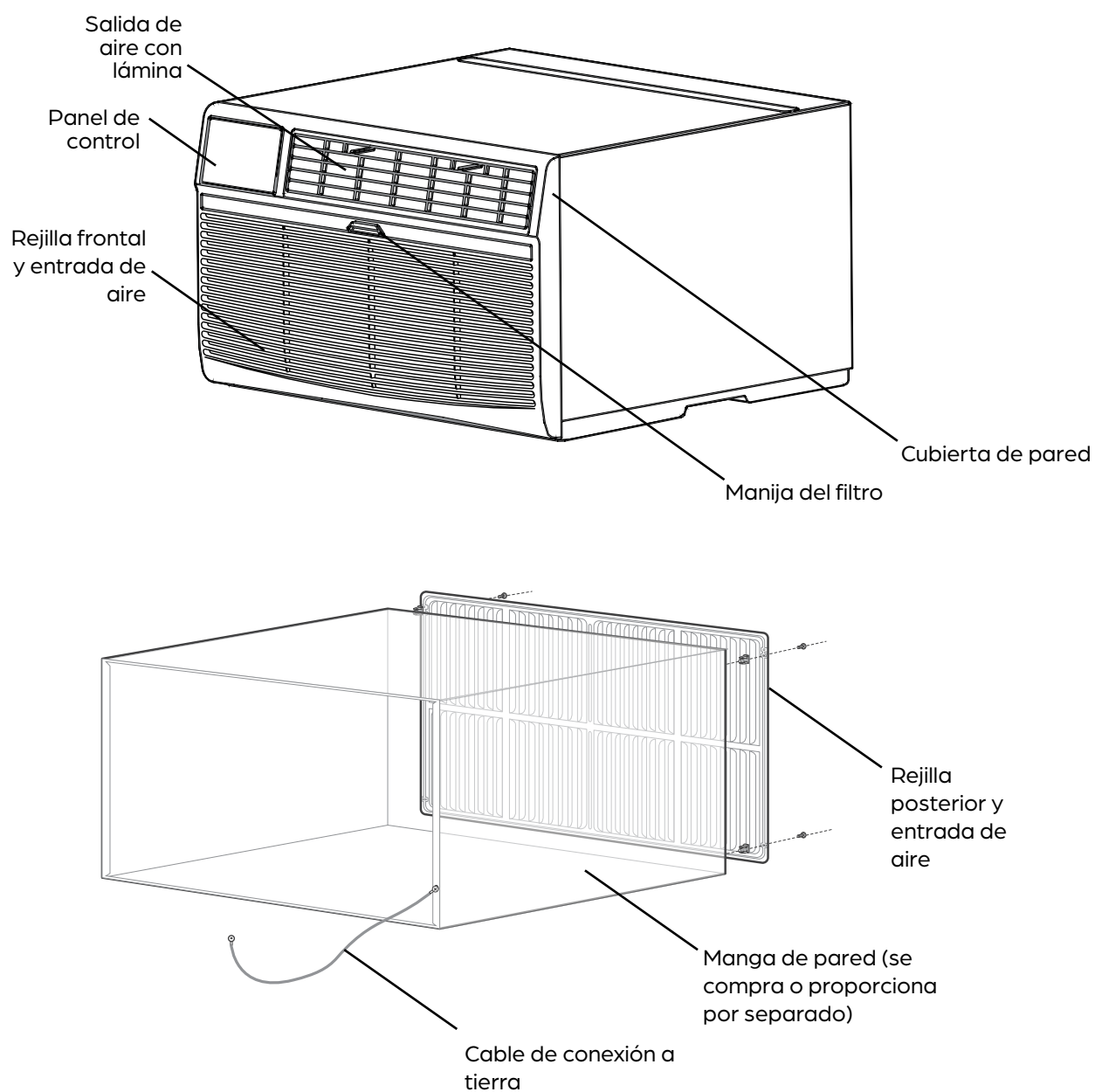


N.º	ACCESORIO	CANTIDAD
1	Aire acondicionado	1
2	Marco decorativo (pata superior e inferior)	2
3	Marco decorativo (patas laterales)	2
4	Manga de pared (se compra por separado)	1
5	Rejilla de aluminio	1
6	Rejilla plástica (1/8" X 4-1/2" X 14-1/2")	1
7	Bloques de centrado/soporte (azul) (4-1/2" X 3-1/2" X 1-1/2")	4
8	Bloque espaciador biselado (azul) (7/8" X 1-1/8" X 17")	2
9	Empaquetadura-Sello (1" X 1-1/2" X 84")	1
10	Sello (1" X 1-1/2" X 14")	2
11	Seal (1" X 3/4" X 14")	2
12	Sello (1" X 3/8" X 14")	2
13	Sello (1" X 3/8" X 24-1/2")	3
14	Sello (1" X 1-1/2" X 24-1/2")	3
15	Divisor plástico*2 (1/8" X 4-1/2" X 14-1/2")	2
16	Tornillo y arandela de tornillo	4
17	Tuercas (Plástica)	4
18	Cable y tornillo de conexión a tierra	1
19	Arandela dentada para tornillo de conexión a tierra	2

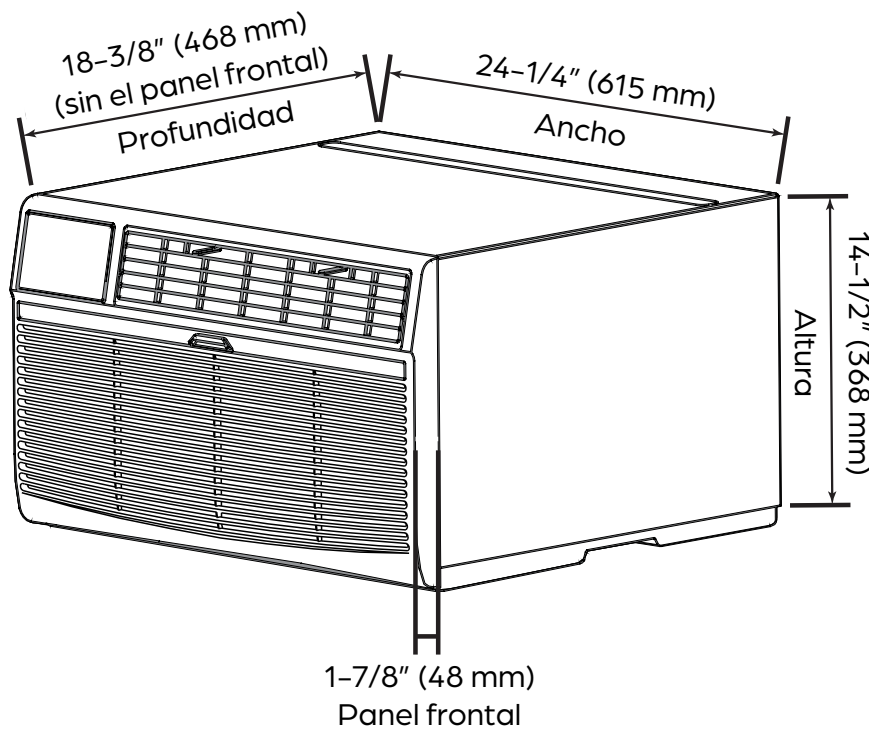
HERRAMIENTAS NECESARIAS

- Se necesitan las siguientes herramientas para la instalación
- Guantes
- Destornilladores
- Taladro
- Lápiz
- Cinta métrica/regla
- Tijeras/Cuchilla
- Nivel

IDENTIFICACIÓN DE LAS PIEZAS



DIMENSIONES DE LAS PIEZAS



DESCRIPCIÓN GENERAL DE LA INSTALACIÓN

PASOS BÁSICOS PARA LA INSTALACIÓN

PREINSTALACIÓN

- Prepare la manga de pared y el cable de conexión a tierra
- Instale la rejilla de aluminio
- Fije los sellos a la manga de pared

• INSTALACIÓN

- Fije las piezas del marco frontal
- Inserte el sello principal
- Inserte el aire acondicionado en la manga de pared y fije el cable de conexión a tierra

PASOS PREVIOS A LA INSTALACIÓN

PREPARE LA MANGA DE PARED Y EL CABLE DE CONEXIÓN A TIERRA

Su aire acondicionado Durastar para empotrar en pared (TTW) está diseñado para instalarse junto con una manga de pared. Para instalar su aire acondicionado Durastar, debe determinar si utilizará un revestimiento de pared existente o si necesita instalar una manga de pared nueva.

USO DE UNA MANGA DE PARED EXISTENTE

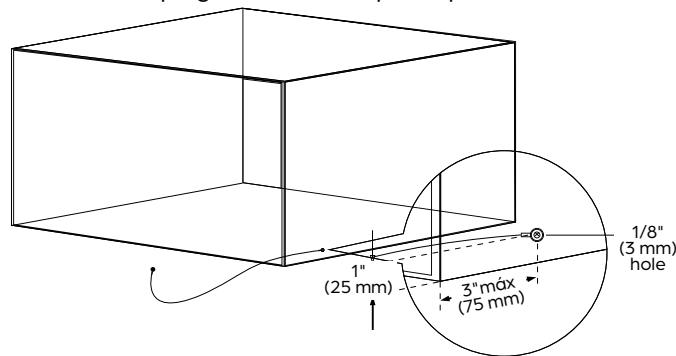
Si está instalando su nuevo aire acondicionado Durastar en una manga de pared existente, confirme que:

- La manga de pared esté en una buena condición estructural.
- La manga de pared tenga las dimensiones apropiadas para alojar su aire acondicionado Durastar.

Las dimensiones del aire acondicionado Durastar son: 24-1/2" ancho, 14-1/2" alto y 20-1/4" profundidad (junto con el panel frontal)

PARA PREPARAR LA MANGA EXISTENTE Y EL CABLE DE CONEXIÓN A TIERRA, HAGA LO SIGUIENTE:

1. Retire el aire acondicionado viejo de la manga de pared.
2. Limpie el interior.
3. Quite todos los sellos existentes.
4. Debe haber un agujero para conectar a tierra la unidad. Si no lo hay, será necesario taladrar un agujero de 1/8" de abertura para un tornillo de conexión a tierra a través del lado izquierdo de la manga de pared en un área despejada, a no más de tres pulgadas hacia la parte posterior del borde frontal de la manga de pared en un área despejada, a no más de tres pulgadas hacia la parte posterior del borde frontal de la manga.

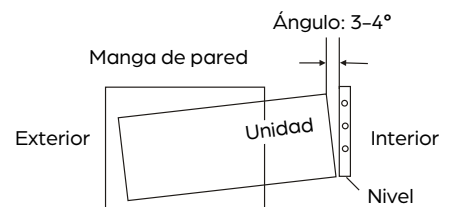


5. Conecte el cable de conexión a tierra a la manga, usando el tornillo de conexión a tierra (N.º 18).
6. Hale el extremo suelto del cable de conexión a tierra por la parte delantera de la manga y dóblelo temporalmente hacia abajo y alrededor del borde inferior de la manga. Este cable de conexión a tierra se fijará posteriormente al armazón del aire acondicionado una vez instalado.
7. Asegúrese de que la manga de pared esté bien fijada en la pared antes de instalar el aire acondicionado. Utilice clavos o tornillos adicionales si es necesario.

PRECAUCIÓN



- Todas las mangas de pared utilizados para montar el nuevo aire acondicionado deben estar en buenas condiciones estructurales y tener una rejilla posterior que se fije firmemente a la manga o una brida posterior que sirva de tope para el aire acondicionado.
- Una vez finalizada la instalación, la unidad de reemplazo DEBE tener una inclinación hacia la parte posterior como se muestra.
- No utilice tornillos distintos de los aquí especificados.



INSTALE UNA NUEVA MANGA DE PARED

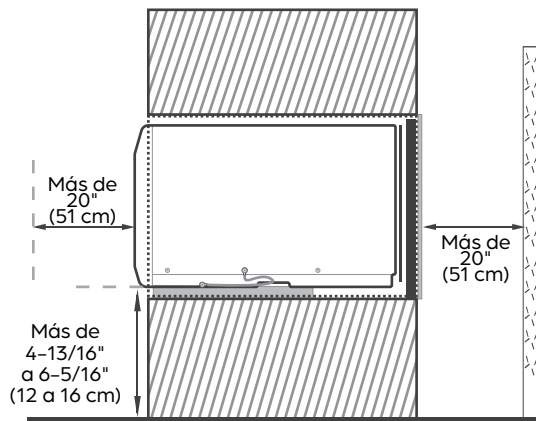
NOTA



La manga Durastar de aire acondicionado para empotrar en pared está diseñada específicamente para la línea de aires acondicionados para empotrar en pared de Durastar y se puede comprar en www.durastar.com. N.º de pieza # DRWTCSLV.

PARA INSTALAR LA MANGA DURASTAR Y PREPARAR EL CABLE DE CONEXIÓN A TIERRA, HAGA LO SIGUIENTE:

1. Seleccione la ubicación para la instalación de la manga de pared de acuerdo con la siguiente imagen.



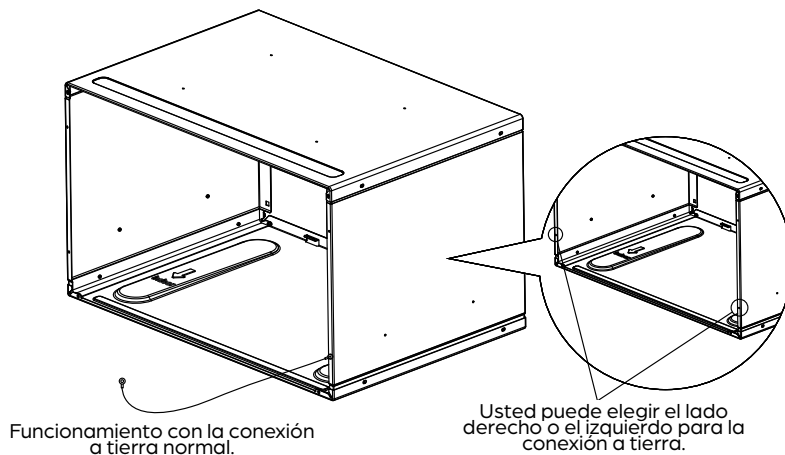
Vista lateral

NOTA



Junto con la manga se suministran más instrucciones de montaje e instalación de la manga Durastar.

2. Conecte el cable de conexión a tierra a la manga de pared. Debajo de la parte frontal de la cubierta de la pared, debe haber dos orificios de 1/8" (0.32 cm) para la conexión a tierra. Conecte el cable de conexión a tierra a la manga, usando el tornillo de conexión a tierra (N.º 18).



3. Asegúrese de que la manga de pared esté bien fijada en la pared antes de instalar el aire acondicionado. Utilice clavos o tornillos adicionales si es necesario.
4. Hale el extremo suelto del cable de conexión a tierra por la parte delantera de la manga y dóblelo temporalmente hacia abajo y alrededor del borde inferior de la manga. Este cable de conexión a tierra se fijará posteriormente al marco del aire acondicionado una vez instalado.

INSTALE LA REJILLA DE ALUMINIO

NOTA

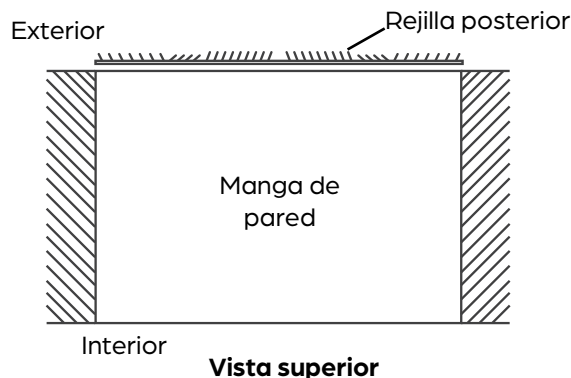


- **Por favor, utilice la rejilla posterior de aluminio que se envió con su nueva unidad de aire acondicionado.** Esto asegurará un flujo de aire adecuado desde la parte posterior de la unidad y el mejor rendimiento de su aire acondicionado. Si su instalación utiliza una manga de pared previamente instalada, por favor, reemplace la rejilla posterior con la que se suministró con su nuevo aire acondicionado.
- La mayoría de las rejillas exteriores decorativas pueden dejarse en su lugar siempre y cuando se instale la nueva rejilla o se instale una rejilla de orientación del aire interior adecuada.

FIJACIÓN DE LA REJILLA A LA MANGA

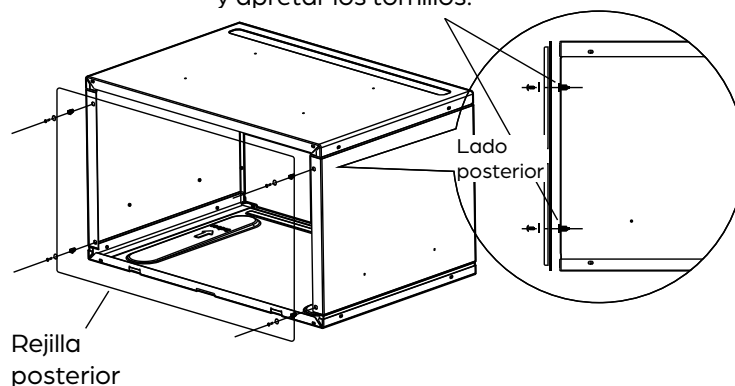
Esto es el método preferido para montar la rejilla de aluminio nueva. Fijada a la manga, el rendimiento de la unidad es mejor y se reduce la aparición de corrientes de aire. La rejilla también puede fijarse directamente al aire acondicionado.

1. Si es el caso, quite la rejilla de orientación del aire interior existente.
2. Coloque la nueva rejilla incluida con el aire acondicionado hacia la parte posterior de la manga, con las aletas sobresaliendo hacia afuera. Attach the new grille to the sleeve with the four screws and washers (No. 16) and four anchors (No. 17).



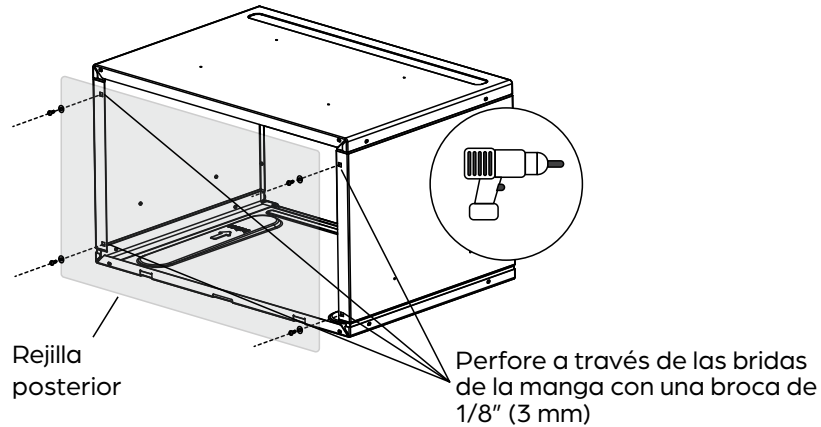
3. Fije la nueva rejilla a la manga con los cuatro tornillos y arandelas (N.º 16) y los cuatro anclajes (N.º 17).

Presione los cuatro anclajes (N.º 17) en el agujero de la manga de pared antes de instalar la rejilla de aluminio y apretar los tornillos.



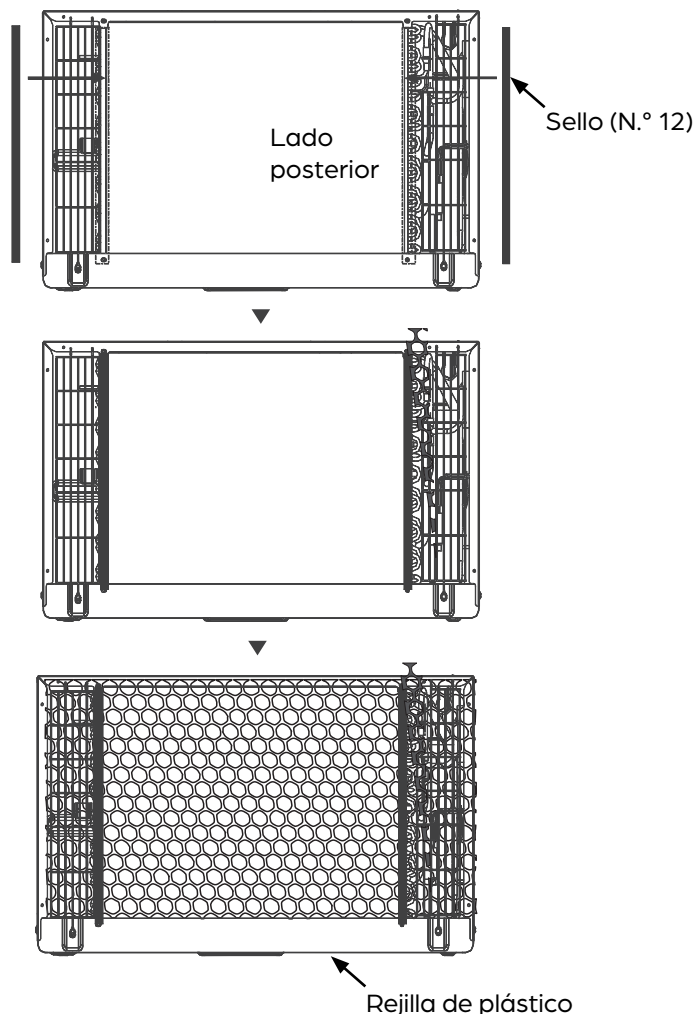
PARA INSTALAR LA REJILLA DE ALUMINIO EN UNA MANGA DE PARED SIN AGUJEROS PARA LOS TORNILLOS, HAGA LO SIGUIENTE:

1. Marque las posiciones de los agujeros sobre la manga de pared, utilizando la rejilla como una plantilla.
2. Perfore los agujeros con una broca de 1/8" (3 mm)
3. Fije la nueva rejilla a la manga con los cuatro tornillos y arandelas (N.º 16) y los cuatro anclajes (N.º 17).

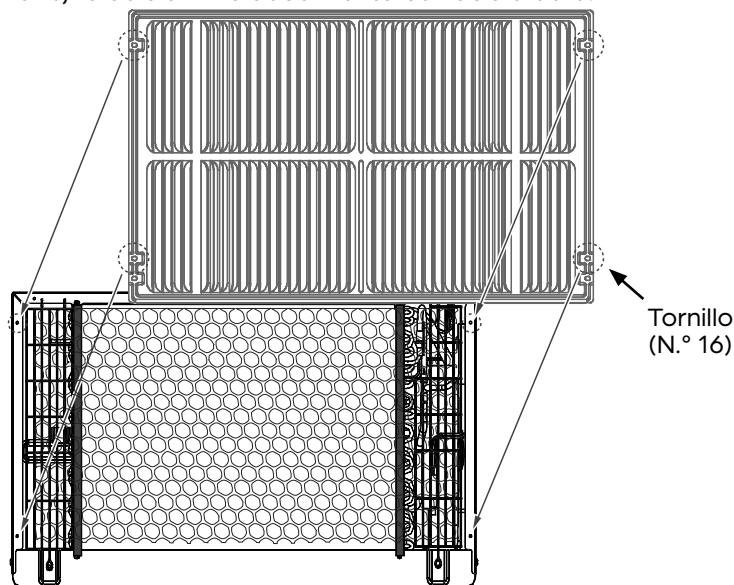


FIJACIÓN DE LA REJILLA AL AIRE ACONDICIONADO

1. Pegue los sellos (N.º 12) como se indica. Proporciona una distancia de seguridad entre las aletas y la rejilla de aluminio, y actúa como amortiguador para evitar que se toquen.
2. Coloque la rejilla de plástico (N.º 6) en la parte posterior de la unidad.



3. Alinee la rejilla de aluminio con el agujero posterior de la unidad como se muestra, luego apriétela y asegúrela con cuatro tornillos y arandelas (N.º 16). Si la unidad no ha sido perforada previamente, taladre con cuidado cuatro orificios de 1/8" (3 mm) a través de la rejilla y en la brida lateral de la unidad, luego fjela con cuatro tornillos y arandelas (N.º 16). Tenga cuidado de no perforar los serpentines de cobre del conmutador de calor. El lado que sobresale de la aleta de la rejilla de aluminio debe montarse hacia afuera.



FIJE LOS SELLOS A LA MANGA DE PARED

Para permitir un ajuste adecuado del aire acondicionado se colocan sellos y bloques de soporte de espuma dentro de la manga de pared. Los sellos y bloques proporcionan:

- Amortiguamiento entre el aire acondicionado, la manga y la rejilla o brida posterior.
- Acolchado adicional para garantizar una inclinación hacia atrás, según sea necesario.

Los sellos y bloques están respaldados con pegamento. Deberá quitar el papel de la parte posterior de los sellos y bloques para instalarlos.

FIJACIÓN DE LOS SELLOS A UNA MANGA DE PARED EXISTENTE

Es posible que sea necesario recortar los sellos y bloques para adaptarlos a su instalación particular. Tenga cuidado al cortar.

PARA MANGAS EXISTENTES QUE SON MÁS PROFUNDAS QUE LA UNIDAD:

Coloque el sello (N.º 13) en la parte superior de la manga donde se une con la rejilla de aluminio.

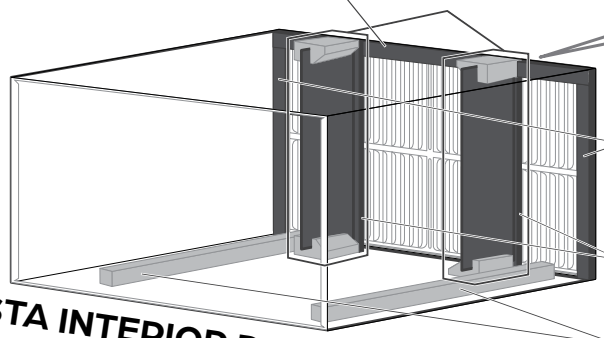
Para las mangas que son demasiado profundas, necesitamos agregar bloques de centrado/soporte (N.º 7) y los divisores de plástico (N.º 15). Consulte la figura para la instalación.

16-1/2" (491 mm)



Los bloques tienen ranuras para tarjetas en las que se pueden insertar los divisores de plástico.

Es posible que tenga que recortar el largo a la medida.



VISTA INTERIOR DE LA MANGA

Coloque el sello (N.º 12) en los lados izquierdo y derecho de la manga.

Coloque el sello (N.º 13) verticalmente a la rejilla, como se muestra.

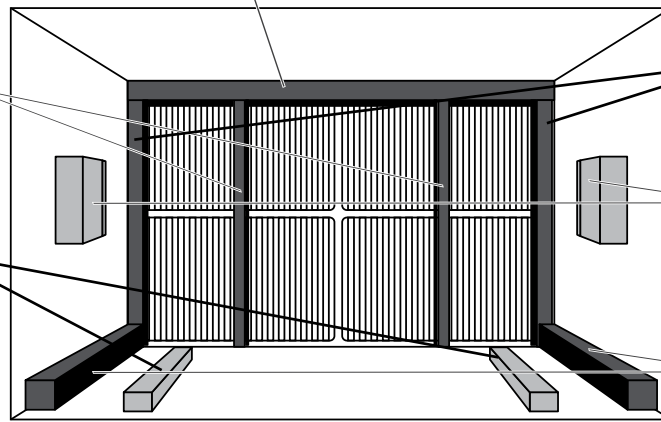
Corte el bloque espaciador biselado (N.º 8) y péguelo en la parte inferior de la manga como se muestra a continuación. Asegúrese de que el extremo biselado esté hacia la parte posterior de la manga de pared. (Esta operación permite que el producto escurra correctamente).

PARA MANGAS EXISTENTES QUE SON MÁS ANCHAS QUE LA UNIDAD:

Coloque el sello (N.º 13) en la parte superior de la manga donde se une con la rejilla de aluminio.

Coloque el sello (N.º 13) verticalmente a la rejilla, como se muestra.

Corte el bloque espaciador biselado (N.º 8) y péguelo en la parte inferior de la manga como se muestra a continuación. Asegúrese de que el extremo biselado esté hacia la parte posterior de la manga de pared. (Esta operación permite que el producto escurra correctamente).



VISTA INTERIOR DE LA MANGA

Coloque el sello (N.º 12) en los lados izquierdo y derecho de la manga.

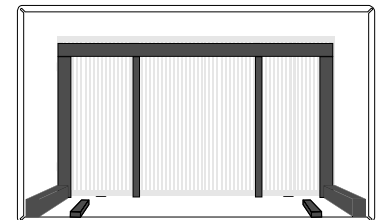
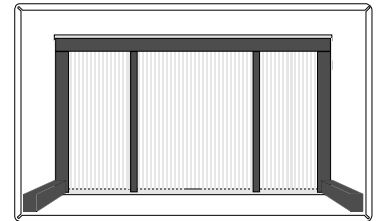
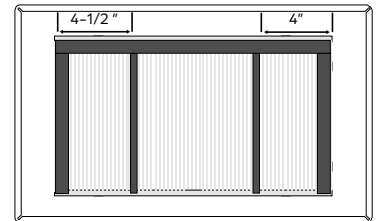
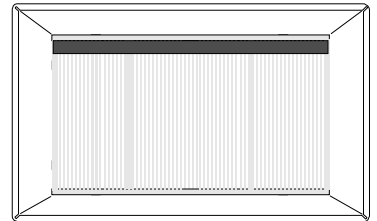
Pegue los bloques de soporte (N.º 7) en el centro a ambos lados de la manga de pared.

Coloque el sello (N.º 14) en los lados izquierdo y derecho del borde inferior.

FIJACIÓN DE LOS SELLOS A UNA MANGA DE PARED DURASTAR NUEVA

1. Coloque un sello (N.º 13) horizontalmente.
2. Coloque dos sellos (N.º 12) verticalmente.
3. Coloque dos sellos (N.º 11) verticalmente. (Coloque a 4-1/2" desde el lado izquierdo y a 4" desde el lado derecho).
4. Coloque dos sellos (N.º 10) como se indica.
5. Coloque dos bloques de soporte biselados (N.º 8) como se indica.

SLEEVE INTERIOR VIEW



PASOS PARA LA INSTALACIÓN

PRECAUCIÓN

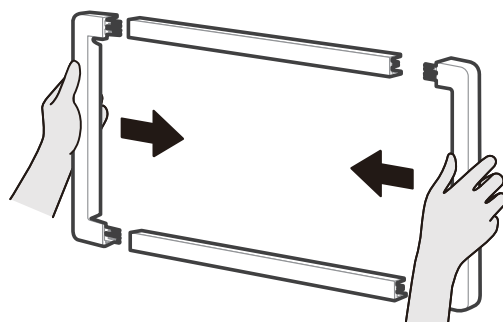


Para evitar el riesgo de lesiones, tome las siguientes precauciones:

- Utilice dos o más personas para manipular e instalar el aire acondicionado.
- Utilice técnicas adecuadas para levantar y transportar.
- Use guantes protectores para ayudar a evitar lesiones causadas por bordes afilados.

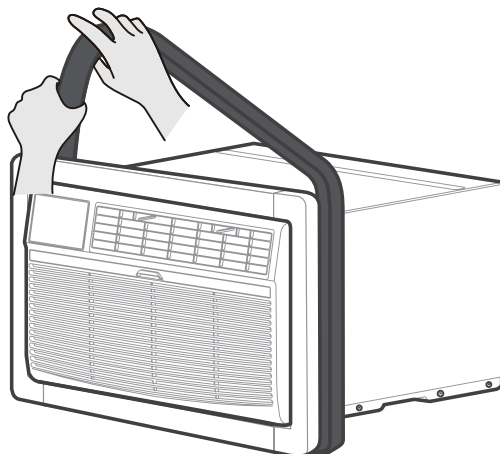
FIJE LAS PIEZAS DEL MARCO FRONTAL

Ensamble el marco decorativo (N.º 2) insertando las piezas superior e inferior en las piezas laterales (N.º 3) y empótrelo en la unidad al ras con el panel frontal.



INSERTE EL SELLO PRINCIPAL (N.º 9)

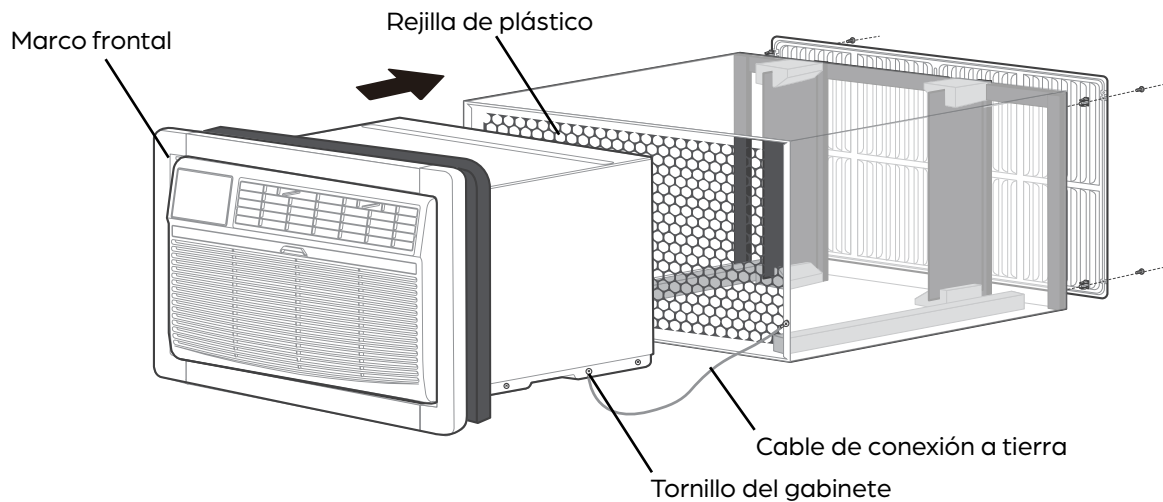
Con una espátula o un destornillador de punta plana, inserte el sello en el espacio entre el gabinete del aire acondicionado y el marco de la manga de pared. Recorte el sello según sea necesario.



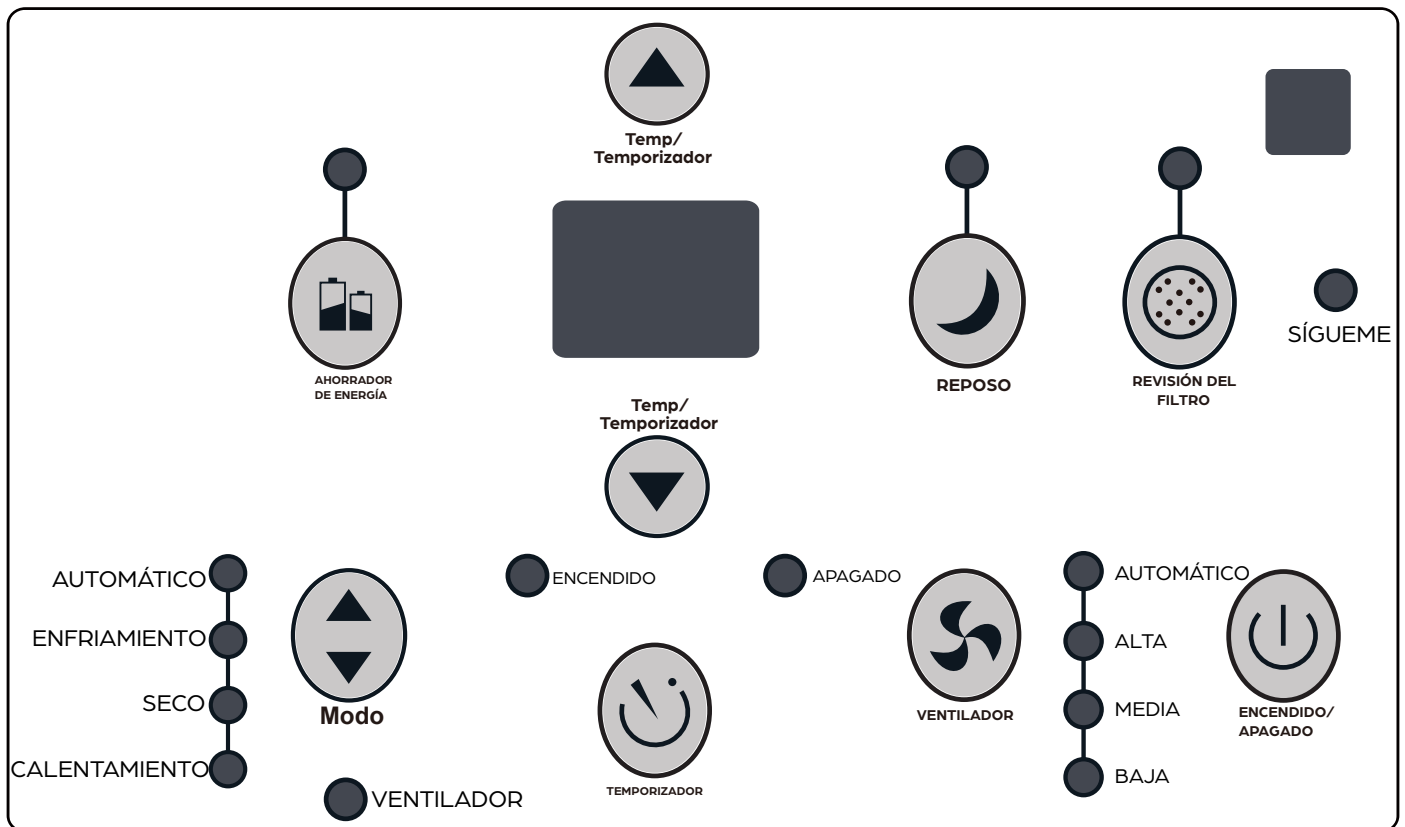
INSERTE EL AIRE ACONDICIONADO EN LA MANGA DE PARED

Retire el tornillo del gabinete en el costado del gabinete del aire acondicionado. Deje a un lado el tornillo. El cable de conexión a tierra será fijado al aire acondicionado, mediante este tornillo y una arandela dentada (N.º 19).

1. Coloque la rejilla de plástico (N.º 6) en la manga de pared, entre la rejilla o brida de aluminio posterior y la unidad de aire acondicionado.
2. Con la ayuda de dos personas, levante el aire acondicionado y colóquelo parcialmente dentro de la manga, dejando expuesto el agujero para el tornillo del gabinete.
3. Conecte el cable de conexión a tierra a la unidad de aire acondicionado, asegurándose de que el lado sobresaliente de la arandela dentada esté presionado contra el gabinete.
4. Deslice el aire acondicionado completamente hacia la parte posterior del soporte de pared, asegurándose de que todos los sellos y bloques de soporte de espuma creen un ajuste perfecto para la unidad. Asegúrese de que el cable de conexión a tierra no se enrede cuando la unidad vuelva a colocarse en la manga de pared.
5. Pase el cable de alimentación a través del marco frontal y luego deslice el marco frontal sobre la unidad, hasta que quede al ras con la pared.
6. Enchufe la unidad y enciéndala.



PANEL DE CONTROL



*Panel de control para la unidad con calor mostrado.

PARA ENCENDER/APAGAR LA UNIDAD

Presione el botón de alimentación eléctrica ON/OFF (Encender/Apagar) para encender o apagar la unidad.



NOTA

Cuando se enciende, la unidad iniciará la función de Ahorro de Energía automáticamente, bajo los modos cool, dry o auto (enfriamiento, seco y automático)



NOTA

- El circuito de enfriamiento tiene un inicio retardado automático de tres minutos si la unidad se apaga y enciende rápidamente. Esto previene el sobrecalentamiento del compresor y un posible disparo del disyuntor. El ventilador seguirá funcionando durante este tiempo.
- Si se interrumpe la alimentación de la unidad, ésta se reiniciará automáticamente con el ajuste de función anterior cuando se reanude la alimentación.
- La función Follow Me (Sígueme) se puede activar solamente con el control remoto.

PARA CAMBIAR LA TEMPERATURA:

Presione las flechas de TEMP/TIMER (TEMPERATURA/TEMPORIZADOR) up (subir) y down (bajar) para cambiar el ajuste de la temperatura.

Esta temperatura se mantendrá automáticamente entre 62 °F (17 °C) y 86 °F (30 °C). Si desea que la pantalla lea la temperatura ambiente real, consulte To Select Operating Mode (Para seleccionar el modo de funcionamiento): Fan Only Mode (Solo modo de ventilador)

Su aire acondicionado Durastar puede mostrar la temperatura tanto en Fahrenheit como en Celsius. Para cambiar entre Fahrenheit y Celsius, presione y mantenga presionadas las flechas de TEMP/TIMER (TEMPERATURA/TEMPORIZADOR) up (subir) y down (bajar) al mismo tiempo durante tres segundos.

PARA AJUSTAR LAS VELOCIDADES DEL VENTILADOR:

Presione el botón del ventilador para recorrer cuatro pasos: Auto, Low, Medium o High (Automático, Bajo, Medio o Alto). Cada vez que se pulsa el botón, cambia el modo de velocidad del ventilador

Para algunos modelos, la velocidad del ventilador no se puede ajustar en el modo HEAT (de CALENTAMIENTO). Para el modo Dry (Seco), la velocidad del ventilador se controla automáticamente en Low (Baja).

PARA SELECCIONAR EL MODO DE FUNCIONAMIENTO:

Para escoger un modo de funcionamiento, presione el botón Mode (Modo). Cada vez que se pulsa el botón, se selecciona un modo en una secuencia que va de Auto a Cool, Dry, Heat (Automático a Enfriamiento, Seco, Calentamiento) (modelos de solo enfriamiento), a Fan (Ventilador). La luz indicadora situada junto al botón de modo se iluminará y permanecerá encendida cuando se seleccione el modo.

La unidad iniciará la función de Energy Saver (Ahorro de Energía) automáticamente, bajo los modos de Cool, Dry y Auto (Enfriamiento, Seco y Automático) (solo Enfriamiento automático y Ventilador automático).

MODO AUTO (AUTOMÁTICO)

- Cuando ajuste la unidad al modo Auto (Automático), la unidad seleccionará automáticamente enfriamiento o ventilador, dependiendo de la temperatura seleccionada y de la temperatura ambiente actual.
- Una vez que se alcance la temperatura que seleccionó, la unidad mantendrá automáticamente la temperatura ambiente.
- En este modo, la velocidad del ventilador no puede ajustarse. Arrancará automáticamente a una velocidad adaptada a la temperatura ambiente real.

COOL MODE (MODO DE ENFRIAMIENTO)

- Utilice las flechas up (subir) y down (bajar) del TEMP/TIMER (TEMP/TEMPORIZADOR) para escoger la temperatura deseada.
- Cuando se selecciona el Modo Cool (Enfriamiento), la velocidad del ventilador se puede ajustar presionando el botón del ventilador.

DRY MODE (MODO SECO)

En este modo, el aire acondicionado funcionará como un deshumidificador. Como el espacio acondicionado es un área cerrada o sellada, seguirá habiendo cierto grado de enfriamiento.

HEAT MODE (MODO DE CALENTAMIENTO) (SE EXCLUYEN LOS MODELOS DE SOLO ENFRIAMIENTO).

- Utilice las flechas up (subir) y down (bajar) del TEMP/TIMER (TEMP/TEMPORIZADOR) para fijar la temperatura deseada.
- Presione el botón FAN (VENTILADOR) para seleccionar la velocidad del ventilador: Para algunos modelos, no se puede ajustar la velocidad del ventilador.

FAN ONLY MODE (SOLO MODO DE VENTILADOR)

- Utilice esta función solo cuando no desee enfriamiento, por ejemplo, para la circulación de aire en la habitación o para expulsar el aire (recuerde abrir la rejilla de ventilación). Puede elegir cualquier velocidad que prefiera.
- Durante esta función, la pantalla mostrará la temperatura ambiente real, no una temperatura establecida, como en el modo de enfriamiento.
- En el Fan Only Mode (Solo modo de ventilador) no se ajusta la temperatura.

PARA USAR LA FUNCIÓN ENERGY SAVER (AHORRO DE ENERGÍA):

Para iniciar la función Energy Saver (Ahorro de Energía) presione el botón Energy Saver (Ahorro de Energía). Esta función está disponible en los modos Cool, Dry o Auto (Enfriamiento, Seco o Automático) (solo Automático-Enfriamiento y Automático-Ventilador). El ventilador continuará funcionando durante tres minutos después de que el compresor se apague, luego el ventilador se encenderá durante dos minutos en intervalos de 10 minutos hasta que la temperatura ambiente esté por encima de la temperatura establecida, momento en el cual el compresor se volverá a encender y comenzará el enfriamiento.

PARA USAR LA FUNCIÓN SLEEP (REPOSO):

Para comenzar la función Sleep (Reposo), pulse el botón Sleep (Reposo) en el control remoto. ESTA FUNCIÓN SOLO SE ACTIVA CON EL CONTROL REMOTO.

En este modo, la temperatura seleccionada aumentará (enfriamiento) o decrecerá (calentamiento, si corresponde) en 2 °F (1 °C) 30 minutos después de seleccionar el modo. La temperatura aumentará (enfriamiento) decrecerá (calentamiento, si corresponde) en otros 2 °F (1 °C) después de 30 minutos adicionales.

Esta nueva temperatura se mantendrá durante siete horas antes de volver a la temperatura originalmente seleccionada. Esto finaliza el modo Sleep (Reposo) y la unidad continuará funcionando como se programó originalmente. El programa del modo Sleep (Reposo) se puede cancelar en cualquier momento durante el funcionamiento presionando de nuevo el botón Sleep (Reposo).

PARA USAR LA FUNCIÓN CHECK FILTER (REVISIÓN DEL FILTRO):

Esta función es un recordatorio para limpiar el filtro de aire para un funcionamiento más eficiente. La luz LED se iluminará después de 250 horas de funcionamiento. Para proceder al restablecimiento después de limpiar el filtro, presione el botón Check Filter (Revisión del filtro) y la luz indicadora se apagará.

PARA USAR LA FUNCIÓN DE TEMPORIZADOR (AUTO START/STOP) (INICIO/PARADA AUTOMÁTICA):

- Para iniciar la función Auto Start (Inicio Automático), presione el botón Timer (Temporizador) o presione el botón "Timer On" (Temporizador encendido) en el control remoto. La luz "Timer On" (Temporizador encendido) se ilumina, lo que indica que se inició el programa de inicio/parada automático.
- Para apagar, presione el botón Timer (Temporizador) nuevamente o presione el botón "Timer Off" (Temporizador apagado) en el control remoto. La luz "Timer Off" (Temporizador apagado) se ilumina, lo que indica que se inició el programa de parada automática.
- Presione o mantenga presionadas las flechas de TEMP/TIMER (TEMPERATURA/TEMPORIZADOR) up (subir) y down (bajar) para cambiar la hora automática en incrementos de 1/2 hora hasta 10 horas, luego en incrementos de una hora hasta 24 horas. El control contará en forma regresiva el tiempo restante hasta el encendido.
- El tiempo seleccionado se registrará en cinco segundos y el sistema volverá automáticamente a mostrar el ajuste de temperatura anterior o la temperatura ambiente cuando la unidad esté encendida. (Nota: cuando la unidad esté apagada, no hay presentación en la pantalla).
- La acción de encender o apagar la unidad en cualquier momento o la de ajustar la configuración del temporizador a 0:0 cancelará el programa cronometrado de inicio/parada automático.

PANTALLA DIGITAL

- Muestra la temperatura establecida en °C o °F y la configuración del temporizador automático.
- Mientras está en Fan Only Mode (Solo modo ventilador), la pantalla digital muestra la temperatura ambiente.
- Si la temperatura ambiente es demasiado alta o baja, aparecerá en la pantalla "HI" o "LOW" ("ALTA" o "BAJA").

CÓDIGOS DE ERROR

AS -Error en el sensor de temperatura ambiente- Desconecte la unidad y vuélvala a conectar. Si el error persiste, llame al servicio técnico.

ES-Error en el sensor de temperatura del evaporador- Desconecte la unidad y vuélvala a conectar. Si el error persiste, llame al servicio técnico.

HS -Error en el sensor de Calentamiento Eléctrico- Desconecte la unidad y vuélvala a conectar. Si el error persiste, llame al servicio técnico.

CS-El sensor del condensador de la unidad exterior está averiado- Desenchufe la unidad y vuelva a enchufarla. Si el error persiste, llame al servicio técnico.

oS-oS -Error en el sensor de temperatura ambiente- Desconecte la unidad y vuélvala a conectar. Si el error persiste, llame al servicio técnico.

E3-The fan stall error- Unplug the unit and plug it back in. If error repeats, call for service.

E0 -Falla del parámetro del EEPROM- Desconecte la unidad y vuélvala a conectar. Si el error persiste, llame al servicio técnico.

REMOTE CONTROL

TEMP (TEMPERATURA) ▼

Disminuye la temperatura en decrementos de 1 °F (1 °C). La temperatura mínima es 62 °F (17 °C).

ON/OFF (ENCENDIDO/APAGADO)

Para encender la unidad on/off (encendido/apagado).

MODO
Se desplaza por los modos de funcionamiento de la siguiente manera:

- AUTO (AUTOMÁTICO) →
- COOL (ENFRIAMIENTO): →
- DRY (SECO): →
- HEAT (CALENTAMIENTO): →
- FAN (VENTILADOR):

NOTA: No seleccione el modo HEAT (CALENTAMIENTO) si la máquina que usted compró es del tipo de solo enfriamiento. El modo HEAT (CALENTAMIENTO) no es compatible con las unidades de solo COOL (ENFRIAMIENTO).

FOLLOW ME (SÍGUEME)

La función FOLLOW ME (SÍGUEME) se puede activar solamente con el control remoto.

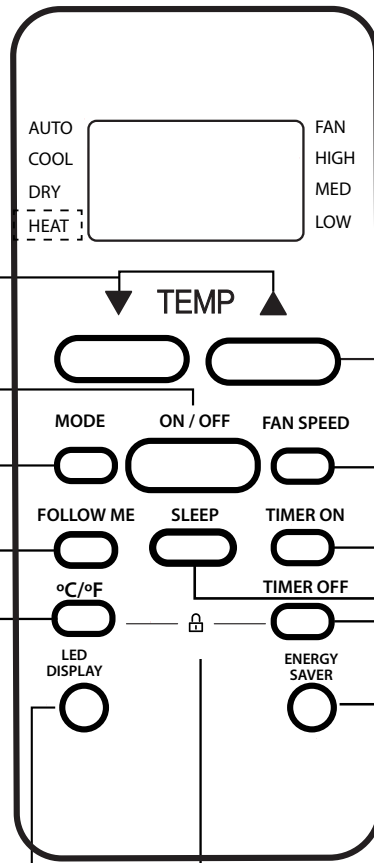
Permite que el control remoto actúe como termostato, registrando la temperatura ambiente en el control remoto.

°C/°F

Este botón cambia la visualización de la temperatura entre °C y °F

PANTALLA LED

Enciende y apaga la pantalla LED de la unidad interior y el zumbador del aire acondicionado (según el modelo).



▲ TEMP (TEMPERATURA)

Aumenta la temperatura en incrementos de 1 °F (1 °C).

VELOCIDAD DEL VENTILADOR:

Selecciona las velocidades del ventilador en el siguiente orden:

LOW (BAJA) → MED (MEDIA) → HIGH (ALTA)

TIMER ON (TEMPORIZADOR ENCENDIDO)

Ajusta el temporizador para encender la unidad (consulte «Cómo utilizar la función de encendido/apagado automático del temporizador»).

TIMER OFF (TEMPORIZADOR APAGADO)

Ajusta el temporizador para apagar la unidad (consulte «Cómo utilizar la función de encendido/apagado automático del temporizador»).

SLEEP (REPOSO)

La función SLEEP (REPOSO) se puede activar solamente con el control remoto. Ahorra energía durante las horas de descanso. *No disponible en los modos FAN o DRY (VENTILADOR o SECO).

ENERGY SAVER (AHORRADOR DE ENERGÍA)

Pulse este botón para activar el modo de ahorro de energía. Púlselo de nuevo para detener la función.

BLOQUEADOR

Pulse simultáneamente los botones °C/°F y TIMER OFF (TEMPORIZADOR APAGADO) durante cinco segundos para bloquear el teclado. Pulse los dos botones a la vez durante dos segundos para desbloquear el teclado.

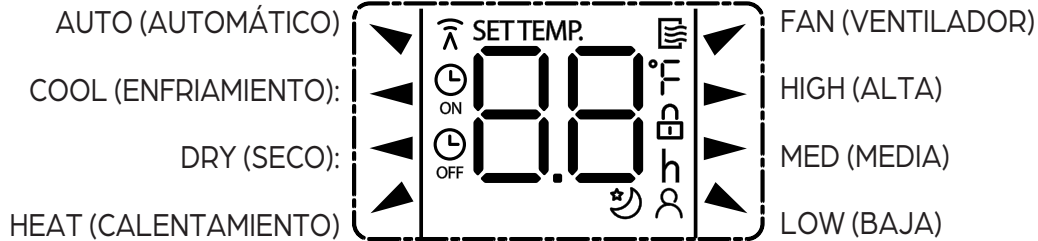
NOTA

- **FAN SPEED** (VELOCIDAD DEL VENTILADOR) en el control remoto sólo muestra LOW → MED → HIGH (BAJA MEDIA ALTA). Puede usar el control remoto para configurar la velocidad del ventilador en AUTO (después de HIGH (ALTA)) pero sólo mostrará ON (ENCENDIDO) en el panel de control de la unidad.
- Cuando LA PANTALLA LED de la unidad está apagada, usted sólo puede hacer cambios con el control remoto.
- La función FOLLOW ME (SÍGUEME) se puede activar solamente con el control remoto.

REMOTE DISPLAY

Information is displayed when the remote control is powered up.

Modo pantalla

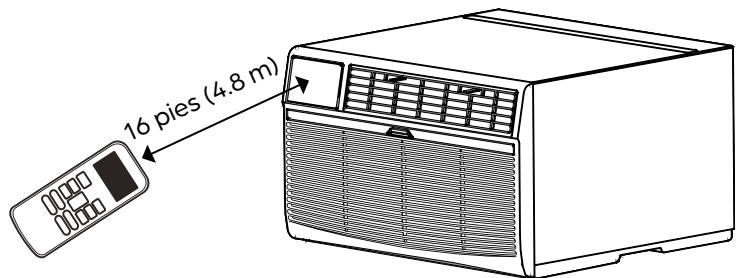


Indicación de la velocidad del ventilador (No se muestra en pantalla = Velocidad automática del ventilador)

- Mostrado en pantalla cuando se transmite la data.
- Mostrado en pantalla cuando el controlador remoto está encendido.
- Mostrado en pantalla cuando el tiempo del TIMER ON (TEMPORIZADOR ENCENDIDO) está determinado.
- Mostrado en pantalla cuando el tiempo del TIMER OFF (TEMPORIZADOR APAGADODO) está determinado.
- Muestra la temperatura ajustada o la temperatura ambiente, o el tiempo en el ajuste del TEMPORIZADOR.
- Indica que todos los ajustes actuales están bloqueados.
- Se muestra cuando la función Follow Me (Sígueme) está activada (algunas unidades).
- Se muestra cuando la función SLEEP (REPOSO) está activada.

FUNCIONAMIENTO REMOTO

- El control remoto tiene un alcance de 16 pies (4.8 m) desde el artefacto.
- El receptor/sensor de señal remota se encuentra en el panel de control del aire acondicionado.
- La recepción de los comandos de señal se confirma mediante un pitido audible.



NOTA

- Antes de utilizar el aparato, asegúrese de que esté enchufado y de que haya suministro eléctrico.
- Los comandos se pueden ingresar y se registrarán en el control remoto, incluso cuando el aire acondicionado esté apagado, siempre que haya energía en la unidad.

PARA ENCENDER LA UNIDAD:

Presione el botón de la alimentación eléctrica ON/OFF (Encender/Apagar) para encender o apagar la unidad.

PARA CAMBIAR LA TEMPERATURA:

Presione los botones TEMP up (Subir la TEMPERATURA) y TEMP down (Bajar la TEMPERATURA) para cambiar el ajuste de la temperatura. Cada vez que se presiona cambia la temperatura en incrementos de 1 °F o 1 °C. El rango de temperatura está entre 62 °F (17 °C) y 86 °F (30 °C).

PARA AJUSTAR LAS VELOCIDADES DEL VENTILADOR:

Pulse el botón de velocidad del ventilador para alternar entre cuatro niveles: automático, bajo, medio o alto. Cada vez que se pulsa el botón, cambia el modo de velocidad del ventilador.

- En el modo DRY (Seco), la velocidad del ventilador es controlada automáticamente a baja velocidad.
- En el modo Auto (Automático), la velocidad del ventilador no puede ajustarse. Arrancará automáticamente a una velocidad adaptada a la temperatura ambiente real.

PARA SELECCIONAR EL MODO DE FUNCIONAMIENTO:

Para escoger el modo de funcionamiento, presione el botón Mode (Modo). Cada vez que se pulsa el botón, se selecciona un modo en una secuencia que va de Auto a Cool, Dry, Heat (Automático a Enfriamiento, Seco, Calentamiento) (no es aplicable para los modelos de solo enfriamiento), a Ventilador.

AUTO MODE (MODO AUTOMÁTICO)

Cuando ajuste la unidad al modo "Auto" (Automático), la unidad seleccionará automáticamente enfriamiento o ventilador, dependiendo de la temperatura seleccionada y de la temperatura ambiente actual. La velocidad del ventilador no se puede ajustar en el modo Auto(Automático).

1. Presione el botón MODE (MODO) para seleccionar el modo AUTO (AUTOMÁTICO).
2. Establezca la temperatura deseada con el botón TEMP up (Subir la TEMPERATURA) y TEMP down (Bajar la TEMPERATURA).

COOL MODE (MODO DE ENFRIAMIENTO)

1. Presione el botón MODE (MODO) para seleccionar el modo COOL (DE ENFRIAMIENTO).
2. Establezca la temperatura deseada con el botón TEMP up (Subir la TEMPERATURA) y TEMP down (Bajar la TEMPERATURA).
3. Presione el botón FAN (VENTILADOR) para seleccionar la velocidad del ventilador: AUTO, LOW, MED o HIGH (AUTOMÁTICO, BAJO, MEDIO o ALTO).

DRY MODE (MODO SECO) (DESHUMIDIFICACIÓN)

En este modo, el aire acondicionado funcionará como un deshumidificador. Como el espacio acondicionado es un área cerrada o sellada, seguirá habiendo cierto grado de enfriamiento. La velocidad del ventilador no se puede cambiar en el modo DRY (SECO).

1. Presione el botón MODE (MODO) para seleccionar el modo DRY (SECO).
2. Establezca la temperatura deseada con el botón TEMP up (Subir la TEMPERATURA) y TEMP down (Bajar la TEMPERATURA).

HEAT MODE (MODO DE CALENTAMIENTO) (SE EXCLUYEN LOS MODELOS DE SOLO ENFRIAMIENTO).

1. Presione el botón MODE (MODO) para seleccionar el modo HEAT (de CALENTAMIENTO).
2. Establezca la temperatura deseada con el botón TEMP up (Subir la TEMPERATURA) y TEMP down (Bajar la TEMPERATURA).
3. Presione el botón FAN (Ventilador) para seleccionar la velocidad del ventilador: AUTO, LOW, MED o HIGH (AUTOMÁTICO, BAJO, MEDIO o ALTO).

FAN ONLY MODE (SOLO MODO DE VENTILADOR)

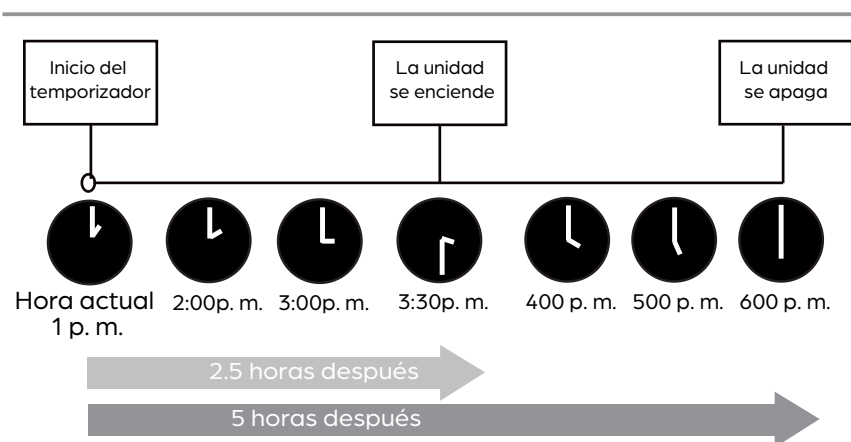
Utilice esta función solo cuando no desee enfriamiento, por ejemplo, para la circulación de aire en la habitación o para expulsar el aire (recuerde abrir la rejilla de ventilación). Puede elegir cualquier velocidad que prefiera. Durante esta función, la pantalla mostrará la temperatura ambiente real, no una temperatura establecida, como en el modo

de enfriamiento. En el modo Fan Only (Solo ventilador), la temperatura no se ajusta y no se muestra en la pantalla LCD.

1. Presione el botón MODE (MODO) para seleccionar el modo FAN (VENTILADOR).
2. Presione el botón FAN (VENTILADOR) para seleccionar la velocidad del ventilador: AUTO, LOW, MED o HIGH (AUTOMÁTICO, BAJO, MEDIO o ALTO).

PARA USAR LA FUNCIÓN TIMER ON/OFF (TEMPORIZADOR ENCENDIDO/APAGADO):

La función TIMER ON/OFF (TEMPORIZADOR ENCENDIDO/APAGADO) se usa para fijar el tiempo de duración antes de que la unidad se encienda automáticamente y la duración de tiempo antes de que la unidad se apague automáticamente. **Tenga en cuenta que los períodos de tiempo para ambas funciones se refieren a horas posteriores a la hora en curso.**



Ejemplo: Si la hora actual es 1:00 p. m., para que el temporizador comience a las 3:30 p. m., ingrese 2.5 h. Para que el temporizador se detenga a las 6:00 p. m., ingrese 5 h.

PARA PONER EL TEMPORIZADOR EN HORA:

1. Presione el botón Timer On (Temporizador encendido) para iniciar la función TIMER ON (TEMPORIZADOR ENCENDIDO).
2. Presione los botones TEMP up (Subir la TEMPERATURA) y TEMP down (Bajar la TEMPERATURA) para ajustar la hora deseada para que la unidad se encienda.
3. Point the remote at the unit and wait one second. The TIMER ON feature will be activated.

NOTA



- Cuando se ajuste el TIMER ON (TEMPORIZADOR ENCENDIDO) o TIMER OFF (TEMPORIZADOR APAGADO) el tiempo se incrementará en 30 minutos cada vez que se pulse, hasta 10 horas. Después de 10 horas y hasta 24 horas, aumentará en incrementos de una hora. (Por ejemplo, pulse 5 veces para obtener 2.5 h, y pulse 10 veces para obtener 5 h,) El temporizador volverá a 0.0 después de 24 horas.
- Puede cancelar cualquiera de las funciones configurando su temporizador en 0.0 h.

PARA CONFIGURAR EL TIEMPO DE APAGADO DEL TEMPORIZADOR:

1. Presione el botón Timer Off (Temporizador apagado) para iniciar la función TIMER OFF (TEMPORIZADOR APAGADO).
2. Presione los botones TEMP up (Subir la TEMPERATURA) y TEMP down (Bajar la TEMPERATURA) para ajustar la hora deseada para que la unidad se encienda.
3. Apunte el control remoto a la unidad y espere un segundo. Se activará la función TIMER OFF (TEMPORIZADOR APAGADO).

FUNCIÓN FOLLOW ME (SÍGUEME)

La función FOLLOW ME (SÍGUEME) se puede activar solamente con el control remoto. Cuando se activa, el control remoto sirve como termostato remoto y mide la temperatura del aire en la ubicación del control remoto. Para activar, apunte el control remoto hacia la unidad de aire acondicionado y presione el botón Follow Me (Sígueme). Luego, el control remoto mostrará la temperatura en su ubicación. Para desactivar, presione el botón Follow Me (Sígueme) nuevamente.

NOTAS ADICIONALES SOBRE LAS FUNCIONES REMOTAS

Para reemplazar las baterías, quite la cubierta posterior presionando donde se indica, y deslizando hacia afuera la cubierta de las baterías.

- La luz directa del sol puede interferir con la señal infrarroja.
- Si el receptor de infrarrojos de la unidad está expuesto a la luz solar directa, es posible que la unidad no funcione correctamente cuando se opera con el control remoto. Utilice las cortinas para evitar que la luz del sol incida sobre el receptor de infrarrojos.
- No exponga el control remoto a la luz solar directa o al calor ni permita que caiga líquido sobre él, ya que esto podría afectar negativamente su rendimiento.
- El aire acondicionado no funcionará si las cortinas, puertas u otros materiales bloquean las señales del control remoto a la unidad.
- Si algún otro aparato eléctrico reacciona al control remoto, aléjelo de su aire acondicionado.

CONTROL REMOTO : Declaración de cumplimiento de la FCC/IC (CAN ICES-003 (B)/NMB-003(B))

Este dispositivo cumple con la parte 15 de las Reglas de la FCC / Innovación, Ciencia y Desarrollo Económico de Canadá ICES-003.

El funcionamiento está sujeto a las dos condiciones siguientes:

- (1) Este dispositivo no puede causar interferencias dañinas, y
- (2) Este dispositivo debe aceptar cualquier interferencia recibida, incluidas las interferencias que puedan causar un funcionamiento no deseado.

L'émetteur/récepteur exempt de licence contenu dans le présent appareil est conforme aux CNR d'Innovation, Sciences et Développement économique Canada applicables aux appareils radio exempts de licence. L'exploitation est autorisée aux deux conditions suivantes : (1) L'appareil ne doit pas produire de brouillage; (2) L'appareil doit accepter tout brouillage radioélectrique subi, même si le brouillage est susceptible d'en compromettre le fonctionnement.

MODIFICACIÓN: Cualquier cambio o modificación no aprobado expresamente por la parte responsable del cumplimiento podría anular la autoridad del usuario para operar el equipo.

NOTA: Este equipo ha sido probado y cumple con los límites para un dispositivo digital de Clase B, de conformidad con la parte 15 de las Reglas de la FCC. Estos límites están diseñados para proporcionar una protección razonable contra interferencias dañinas en una instalación residencial. Este equipo genera, utiliza y puede irradiar energía de radiofrecuencia y, si no se instala y utiliza de acuerdo con las instrucciones, puede causar interferencias dañinas en las comunicaciones por radio. Sin embargo, no hay garantía de que no se produzcan interferencias en una instalación en particular.

Si este equipo causa interferencias dañinas en la recepción de radio o televisión, lo cual se puede determinar apagando y encendiendo el equipo, se recomienda al usuario que intente corregir la interferencia mediante una o más de las siguientes medidas:

- Reorientar o reubicar la antena receptora.
- Aumentar la separación entre el equipo y el receptor.
- Conecte el equipo a una toma de corriente en un circuito diferente al que está conectado el receptor.
- Consulte al distribuidor o a un técnico experimentado en radio/TV para obtener ayuda.

Declaración de conformidad del proveedor**De acuerdo con la FCC Parte 2 Sección 2.1077**

Identificador único: RG57A6/BGEFU1/RG57A6/BGEFU1/RG51G4(1)/CEU1/RG51G(1)/EFU1
RG10A(D2S)/BGEFU1/RG10F2(D2)/BGEFU1/RG51G(1)/CEFU1
KJR-12B/DP(T)-F-1-04/KJR-120N(X6W)/BGEF

Parte responsable – Información de contacto en EE. UU.

Nombre de la compañía: Ferguson Enterprises LLC

Dirección: 751 Lakefront Commons

Ciudad, Estado: Newport News, VA

Código postal: 23606

Número telefónico o información de contacto por internet: Durastar.com

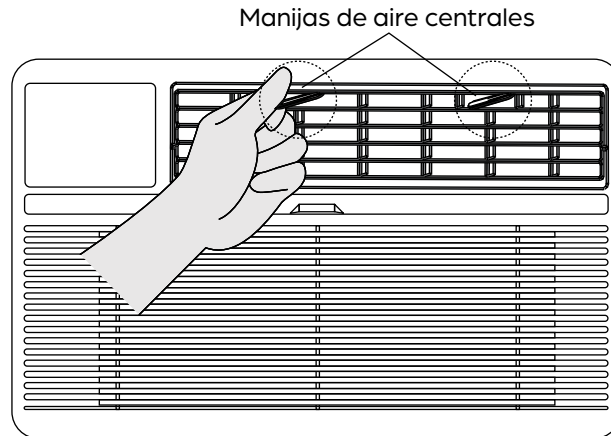
Declaración de conformidad FCC

Este dispositivo cumple con las Normas parte 15 de la FCC. El funcionamiento está sujeto a las dos condiciones siguientes: (1) Este dispositivo no puede causar interferencias perjudiciales, y (2) Este dispositivo debe permitir cualquier interferencia que reciba, incluyendo interferencias que pueden causar un funcionamiento no deseado.

LÁMINAS DE ORIENTACIÓN DEL AIRE

Las láminas de orientación del aire de 4 direcciones le permiten dirigir el flujo de aire hacia arriba, abajo, izquierda o derecha por toda la habitación según sea necesario.

- Para ajustar las láminas de orientación del aire de lado a lado, use las manijas centrales mientras se mueve de lado a lado.
- Para ajustar hacia arriba y hacia abajo, gire las láminas presionando con los dedos hasta obtener la dirección deseada del flujo de aire.



PRECAUCIÓN

No introduzca los dedos en la salida de aire. Eso podría causar una lesión.

MAINTENANCE



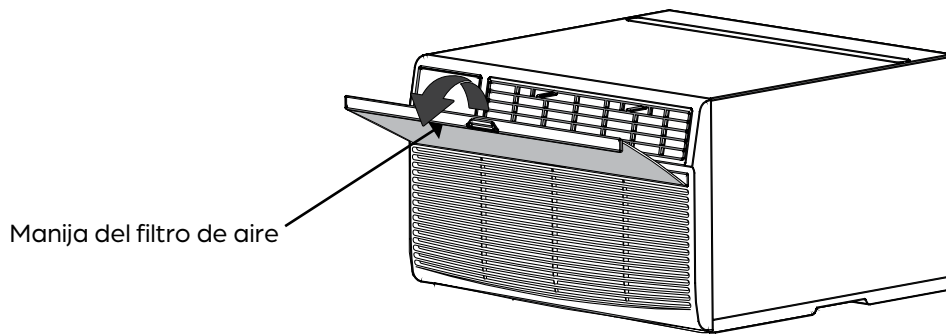
WARNING

Be sure to unplug the unit before cleaning, to prevent shock or fire hazards.

LIMPIEZA DEL FILTRO DE AIRE

El filtro de aire debe revisarse al menos una vez al mes para ver si es necesario limpiarlo. Las partículas atrapadas en el filtro pueden acumularse, impidiendo el flujo de aire adecuado y provocando, potencialmente, una acumulación de escarcha en los serpentines de enfriamiento. El filtro de aire está ubicado en una ranura detrás de la rejilla frontal/el panel de entrada de aire.

1. Busque la manija del filtro de aire, que se encuentra en la parte superior de la rejilla frontal.
2. Sujete el filtro con ambas manos y tire hacia arriba y hacia afuera.
3. Lave el filtro con detergente líquido para lavavajillas y agua tibia. Enjuague bien el filtro.
4. Sacuda suavemente el exceso de agua del filtro.
5. Asegúrese de que el filtro esté completamente seco antes de reemplazarlo.
6. También puede limpiar suavemente el filtro con una aspiradora.
7. Vuelva a insertar el filtro de aire.



Manija del filtro de aire

**PRECAUCIÓN**

- Nunca utilice agua caliente a más de 104 °F (40 °C) para limpiar el filtro de aire.
- Nunca ponga a funcionar la unidad sin el filtro de aire.

LIMPIEZA DEL GABINETE

- Se pueden quitar el polvo del gabinete y parte frontal con un paño sin aceite o lavar con un paño humedecido en una solución de agua tibia y un detergente lavavajillas líquido suave. Enjuague bien y seque.
- Nunca utilice limpiadores fuertes, ceras o abrillantadores en parte frontal del gabinete.
- Asegúrese de escurrir el exceso de agua del paño antes de limpiar los controles. El exceso de agua en o alrededor de los controles puede causar daños al aire acondicionado.

SONIDOS NORMALES

Chirrido agudo – Los compresores de alta eficiencia pueden emitir un chirrido agudo durante el ciclo de refrigeración.

Sonido de aire circulando – En la parte frontal de la unidad, se puede oír el sonido de aire circulando movido por el ventilador.

Gorgoteo/Silbido – Los ruidos de gorgoteo o silbido pueden ser causados por el refrigerante que pasa a través del evaporador durante el funcionamiento normal.

Vibración – La unidad puede vibrar y hacer ruido debido a una mala construcción de la pared o ventana o a una instalación incorrecta.

Pitidos o conmutaciones – Las gotas de agua que golpean el condensador durante el funcionamiento normal pueden causar estos sonidos.

GUÍA PARA EL AHORRO DE ENERGÍA

Lea y siga la siguiente guía para obtener el mejor rendimiento y eficiencia de su aire acondicionado:

- No cubra la salida del aire (escape) mientras esté en uso.
- Utilice el temporizador para funcionar la unidad antes de que sea necesario. Por ejemplo, configure el temporizador para que encienda la unidad en modo refrigeración durante tres o más horas para enfriar la habitación antes de que usted llegue. Es posible que desee utilizar la unidad todo el día si vive en un clima más cálido.
- Reduzca al mínimo las fuentes de calor (luz directa del sol, computadoras, servidores, personas, etc.) en la habitación.
- Cierre todas las ventanas y puertas.
- Utilice la unidad en una habitación cerrada. Por ejemplo, un recinto con cuatro paredes y un techo, en lugar de un estudio compartido o un depósito.
- Asegúrese de que la unidad esté segura y no tenga espacios por donde pueda escapar el aire.
- Minimice el nivel de humedad en la habitación. Por ejemplo, ponga a funcionar la unidad como un deshumidificador.
- Para prolongar la vida del compresor, espere al menos tres minutos antes de volver a encender la unidad después de haberla apagado.
- Inspeccione y limpie con regularidad los filtros de aire.
- Efectúe mantenimientos de rutina.

LOCALIZACIÓN Y SOLUCIÓN DE PROBLEMAS

Siga esta guía de localización y solución de problemas para resolver problemas comunes.

PROBLEMA	POSIBLES CAUSAS	SOLUCIÓN
EL AIRE ACONDICIONADO NO ESTÁ TRABAJANDO	El enchufe de pared está desconectado.	Asegúrese de que la unidad esté enchufada.
	El cable de alimentación LCDI está desconectado.	Presione el botón de reinicio en el cable LCDI.
	El fusible de la vivienda está fundido o se ha disparado el disyuntor.	Reemplace el fusible con uno del tipo con retardo de tiempo o reinicie el disyuntor.
	El botón de alimentación eléctrica del panel de control está apagado.	Encienda el botón de alimentación eléctrica del panel de control y ajústelo en la configuración deseada.
EL AIRE DE LA UNIDAD NO SE SIENTE LO SUFICIENTEMENTE FRÍO.	La temperatura no está ajustada lo suficientemente baja.	Ajústelo a una temperatura más baja.
	La temperatura ambiente es inferior a 62 °F (17 °C).	Puede que no haya enfriamiento hasta que la temperatura ambiente suba por encima de 62 °F (17 °C).
	El elemento sensor de temperatura está tocando el serpentín frío, ubicado detrás del filtro de aire	Enderece el tubo alejándolo del serpentín.
	El compresor se apaga al cambiar de modo.	Espere aproximadamente tres minutos y escuche el reinicio del compresor, cuando está ajustado para el modo COOL (ENFRIAMIENTO).
LA UNIDAD NO ENFRÍA CORRECTAMENTE Y SE FORMA HIELO EN EL SERPENTÍN DE ENFRIAMIENTO DETRÁS DEL FRONTAL DECORATIVO	La temperatura exterior es inferior a 64 °F (18 °C).	Para descongelar el serpentín, ponga la unidad en FAN ONLY MODE (SOLO MODO DE VENTILADOR).
	El filtro de aire puede estar sucio.	Limpie el filtro. Consulte la sección de mantenimiento.. Para descongelar, ponga la unidad en FAN ONLY MODE (SOLO MODO DE VENTILADOR).
	El termostato está demasiado frío para el enfriamiento nocturno.	Para descongelar el serpentín, ponga la unidad en FAN ONLY MODE (SOLO MODO DE VENTILADOR). A continuación, ajuste la temperatura a un valor más alto.
THE UNIT IS NOT COOLING PROPERLY AND NO ICE IS FORMING ON THE COOLING COIL BEHIND THE DECORATIVE FRONT.	El filtro de aire está sucio y el aire está restringido.	Limpie el filtro de aire. Consulte la sección de mantenimiento.
	La temperatura está ajustada demasiado alta.	Ajuste la temperatura a un valor más bajo.
	Las láminas de orientación del aire están posicionadas incorrectamente.	Posicione las láminas para una mejor distribución del aire.
	El lado frontal de la unidad está bloqueado por cortinas, persianas, muebles u otros objetos que restringen la distribución del aire.	Despeje cualquier bloqueo en el lado frontal de la unidad.
	Hay puertas, ventanas abiertas, etc.	Cuando las entradas están abiertas, se escapa el aire frío. Cierre puertas, ventanas, etc.
	La unidad se encendió recientemente en una habitación calurosa.	Permita un tiempo adicional para eliminar el "calor almacenado" de las paredes, el techo, el piso y los muebles.
EL AIRE ACONDICIONADO SE ENCIENDE Y APAGA RÁPIDAMENTE.	The air filter is dirty and the air is restricted.	El filtro de aire está sucio y el aire está restringido.
	La temperatura exterior es extremadamente caliente.	Configure la velocidad del FAN (VENTILADOR) a una configuración más alta para que el aire pase por los serpentines de enfriamiento con más frecuencia.
HAY RUIDO CUANDO LA UNIDAD ESTÁ ENFRIANDO.	Algo de sonido del movimiento del aire es normal.	Si la unidad hace demasiado ruido, ajústela en una configuración de FAN (VENTILADOR) más lenta.
	Vibración de la ventana: instalación pobre.	Consulte las instrucciones de instalación o consulte con el instalador.

PROBLEMA	POSIBLES CAUSAS	SOLUCIÓN
HAY GOTEO DE AGUA ADENTRO CUANDO LA UNIDAD ESTÁ ENFRIANDO.	La unidad no fue instalada adecuadamente.	Incline ligeramente el aire acondicionado hacia afuera para permitir el drenaje del agua.
HAY GOTEO DE AGUA AFUERA CUANDO LA UNIDAD ESTÁ ENFRIANDO.	La unidad está extrayendo una gran cantidad de humedad de una habitación húmeda.	Esto es normal durante los días excesivamente húmedos.
EL CONTROL REMOTO NO DETECTA.	El control remoto no está ubicado dentro del rango de la unidad.	Coloque el control remoto dentro del rango de 16 pies (4.8 m) y en un radio de 180 grados del frente de la unidad.
	La señal del control remoto está obstruida.	Quite la obstrucción.
The room is too cold.	La temperatura está ajustada demasiado baja.	Aumente el ajuste de la temperatura.

GARANTÍA DURASTAR

Completa por dos años de piezas y mano de obra.

Este producto está garantizado por Durastar y está sujeto a las condiciones establecidas a continuación:

LO QUE ESTÁ CUBIERTO:

Durante un período de DOS (2) AÑOS a partir de la fecha de compra original, Durastar reparará o sustituirá, sin cargo alguno, incluida la mano de obra, cualquier pieza que falle debido a un defecto en los materiales o en la mano de obra. La mano de obra se realizará de forma gratuita en un centro de reparación autorizado de Durastar y Durastar suministrará piezas nuevas, reconstruidas o reacondicionadas sin costo alguno. Durastar puede solicitar la devolución de una pieza defectuosa a cambio de la pieza de repuesto. Todas las piezas o productos de repuesto serán nuevos, remanufacturados o reacondicionados. Todos los productos y las piezas reemplazadas por Durastar bajo el servicio de garantía pasan a ser propiedad de Durastar. Después del período de 24 meses, Durastar ya no será responsable de los cargos de mano de obra incurridos ni de las piezas de repuesto. Todos los productos y piezas defectuosos cubiertos por esta garantía serán reparados o reemplazados y enviados por correo a un centro de reparación autorizado de Durastar.

Esta garantía se aplica únicamente al comprador original, y solo cubre defectos de materiales o mano de obra experimentados durante el funcionamiento del producto en condiciones normales de servicio, mantenimiento y uso. Esta garantía se aplica a la compra y uso de este producto en entornos residenciales dentro de los Estados Unidos de América contiguos.

EXCEPCIONES: GARANTÍA POR USO COMERCIAL O DE ALQUILER

90 días de mano de obra y piezas desde la fecha de compra original. No se aplica ninguna otra garantía.

LO QUE NO ESTÁ CUBIERTO - Se aplican las siguientes limitaciones a la cobertura de esta garantía. Esta garantía no cubre:

- Gastos de mano de obra por instalación, configuración o capacitación para utilizar el producto.
- Daños de envío y cualquier daño causado por un embalaje inadecuado para su envío a un centro de servicio autorizado, y cualquier daño causado por un voltaje inadecuado o cualquier otro mal uso, incluido el servicio, manejo o uso anormal.
- Daños cosméticos tales como rayones y abolladuras.
- Desgaste normal de piezas o sustitución de piezas diseñadas para ser sustituidas, por ej. filtros, cartuchos, baterías.
- Viajes de servicio para entregar, recoger o reparar el producto; instalar el producto; o para instruir en el uso adecuado del producto.
- Daños o problemas de funcionamiento derivados de un uso indebido, abuso, funcionamiento fuera de las especificaciones medioambientales, usos contrarios a las instrucciones proporcionadas en el manual del propietario, accidentes, casos fortuitos, alimañas, incendios, inundaciones, instalación incorrecta, servicio no autorizado, negligencia en el mantenimiento, instalación o modificación no autorizadas, o uso comercial.
- Gastos de mano de obra, servicio, transporte y envío para el retiro y reemplazo de piezas defectuosas, más allá del período inicial de 24 meses.
- Productos que hayan sido modificados para funcionar fuera de las especificaciones sin el permiso previo por escrito de Durastar.
- Productos perdidos durante el transporte o robados.
- Productos vendidos TAL COMO ESTÁN o de un revendedor no autorizado.
- Productos con números de serie que hayan sido retirados, alterados o invalidados.
- Daños causados por un uso distinto al normal.
- Reemplazo o reparación de fusibles, interruptores automáticos, cableado o tuberías domésticos.
- Daños a la propiedad personal por el uso del producto.
- Daños causados por servicios que no sean los de un centro de reparación autorizado de Durastar.
- Mangueras, perillas, bandejas para pelusa y todos los aditamentos, accesorios y piezas desechables.
- Cualquier gasto por servicio no identificado específicamente como normal, como el área o las horas de servicio normales.
- Cualquier daño especial o consecuente derivado del uso del producto.

OBTENCIÓN DEL SERVICIO DE GARANTÍA:

Si cree que su producto está defectuoso, comuníquese con el servicio de atención al cliente de Durastar para obtener asistencia en la localización y solución de problemas y del servicio de garantía en www.Durastar.com o llame al 1-866-319-5473. Antes de ponerse en contacto con el servicio de atención al cliente, deberá tener a mano el número de modelo, el número de serie y el comprobante de compra. Una vez que un representante autorizado de Durastar haya confirmado que su producto está defectuoso y elegible para el servicio de garantía, el producto debe ser devuelto a un centro de reparación autorizado por Durastar. Durastar no se hace responsable de los daños resultantes de una manipulación o embalaje inadecuados por parte del transportista. No devuelva un producto defectuoso al lugar de compra. Los productos recibidos sin un número de autorización de devolución serán rechazados.

ESTA GARANTÍA SUSTITUYE CUALQUIER OTRA GARANTÍA, EXPRESA O IMPLÍCITA, INCLUYENDO, SIN LIMITACIÓN, CUALQUIER GARANTÍA DE COMERCIALIZACIÓN O IDONEIDAD PARA UN PROPÓSITO PARTICULAR. EN LA MEDIDA EN QUE CUALQUIER GARANTÍA IMPLÍCITA SEA EXIGIDA POR LA LEY, SU DURACIÓN ESTÁ LIMITADA AL PERÍODO DE GARANTÍA EXPRESA ANTERIOR. NI EL FABRICANTE NI SUS DISTRIBUIDORES SERÁN RESPONSABLES DE NINGÚN DAÑO INCIDENTAL, CONSECUENTE, INDIRECTO, ESPECIAL O PUNITIVO DE CUALQUIER NATURALEZA, INCLUYENDO, SIN LIMITACIÓN, PÉRDIDA DE INGRESOS O GANANCIAS, O CUALQUIER OTRO DAÑO YA SEA BASADO EN CONTRATO, AGRAVIO O DE OTRA MANERA. EN NINGÚN CASO Y BAJO NINGUNA CIRCUNSTANCIA DE NINGÚN TIPO, EL VENDEDOR, FABRICANTE Y/O DISTRIBUIDOR SERÁ RESPONSABLE DE NINGÚN MOTIVO, BAJO NINGUNA TEORÍA, POR MÁS DEL COSTO BÁSICO DEL PRODUCTO PARA EL COMPRADOR O USUARIO FINAL. ALGUNOS ESTADOS NO PERMITEN LA EXCLUSIÓN DE DAÑOS INCIDENTALES O CONSECUENTES, POR LO QUE LA EXCLUSIÓN ANTERIOR PUEDE NO APLICARSE EN SU CASO. ESTA GARANTÍA LE OTORGA DERECHOS LEGALES ESPECÍFICOS. USTED PUEDE TENER OTROS DERECHOS QUE VARÍAN DE UN ESTADO A OTRO.